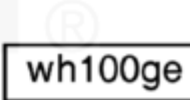
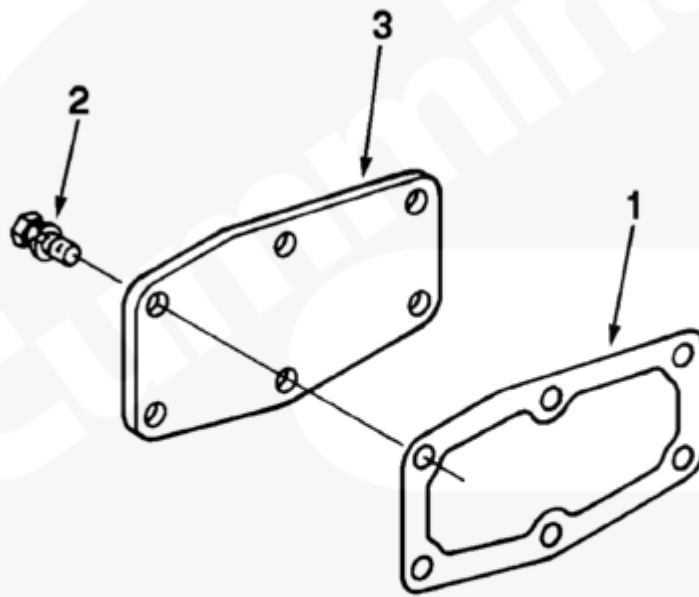




Parts Catalog - Option Detail

Electronic Parts Catalog - Option Detail				
Option	Group	Graphic	Film Card	Date
BP1706	08.07.3	wh100ge	F	11-JAN-86
Engines	NH/NT 855, NT495, NT743, NTA855 N106			

©Cummins Inc



[SMALL](#) | [MEDIUM](#) | [LARGE](#)

Cart	Ref No	Part Number	Part Description	Required	Remarks
View My Cart					
		BP1706	Water Header Cover		
					Water Header Cover
					Blank plate front and rear
					water header covers used on

					Big Cam III engines that do
					not require a block heater.
					Use with standard mount lube
					oil cooler.
<input type="checkbox"/>	1	70089 1	Cover Plate Gasket	2	
<input type="checkbox"/>	2	3013904	Captive Washer Cap Screw	10	1/2 - 20 x 5/8 in.
<input type="checkbox"/>	3	132019	Water Header Cover	2	

© 2019 Cummins Inc., Box 3005, Columbus, IN 47202-3005 U.S.A.
Terms of Use and Disclaimers | Recommended System Requirements
Need Assistance? Please click on the Contact Us button in the top right corner of any page.