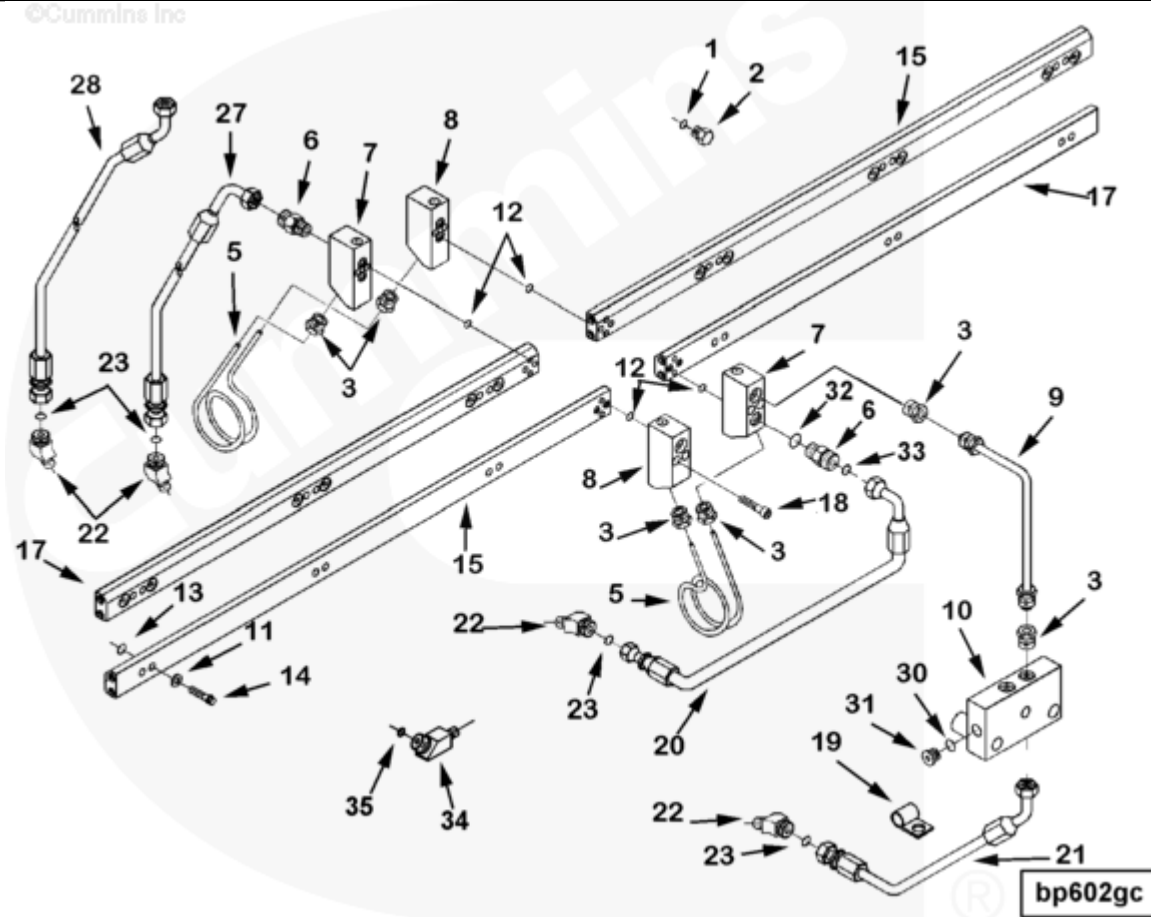




## Parts Catalog - Option Detail

Electronic Parts Catalog - Option Detail				
Option	Group	Graphic	Film Card	Date
BP6738-10	06.01.6	bp602gc	K38	02-AUG-04
<b>Engines</b>	GTA38, K38, KTA38GC CM558, QSK38 CM2150 K106, QSK38 CM2150 MCRS, QSK38 CM850 MCRS			



SMALL | MEDIUM | LARGE

Cart	Ref No	Part Number	Part Description	Required	Remarks
View My Cart					
		BP6738-10	Fuel Manifold		<a href="#">Fuel manifolds for...(More)</a>
					* KTA 38 with side mounted
					aftercoolers. (LTA and
					outboard)
					* dual STC engines only

					Includes marine hoses.
<input type="checkbox"/>		3023217	Threaded Plug	4	7/16 - 20 UNF
<input type="checkbox"/>	1	3036666	O-Ring Seal	1	
	2	3630034	Threaded Plug	1	
<input type="checkbox"/>	3	3031404	Tube Connector	12	
<input type="checkbox"/>	5	3176710	Fuel Supply Tube	2	
<input type="checkbox"/>		3634685	Male Union	2	
	6	3634687	Male Union	1	
<input type="checkbox"/>	32	3037537	O-Ring Seal	1	
<input type="checkbox"/>	33	3922794	O-Ring Seal	1	
<input type="checkbox"/>	7	3628517	Fuel Block Connection	2	
<input type="checkbox"/>	8	3628518	Fuel Block Connection	2	
<input type="checkbox"/>	9	3628931	Fuel Supply Tube	4	
<input type="checkbox"/>		3630364	Fuel Block Connection	2	
<input type="checkbox"/>		3634685	Male Union	2	
	6	3634687	Male Union	1	
<input type="checkbox"/>	32	3037537	O-Ring Seal	1	
<input type="checkbox"/>	33	3922794	O-Ring Seal	1	
	10	3630358	Fuel Block Connection	1	
<input type="checkbox"/>	11	127018	Plain Washer	24	1/4 in.
<input type="checkbox"/>	12	131026	O-Ring Seal	12	
<input type="checkbox"/>	13	3001340	O-Ring Seal	24	
<input type="checkbox"/>	14	3001811	Twelve Point Cap Screw	24	1/4 - 20 X 1 Inch.
<input type="checkbox"/>	15	3633214	Fuel Manifold	2	
<input type="checkbox"/>	17	3633215	Fuel Manifold	2	
<input type="checkbox"/>	18	3175074	Socket Head Cap Screw	8	1/4 - 20 X 1 1/4 Inch.
<input type="checkbox"/>	19	3627412	Clip	3	
<input type="checkbox"/>	20	3628925	Flexible Hose	1	
<input type="checkbox"/>	21	3632890	Flexible Hose	1	
<input type="checkbox"/>		3095292	Male Adapter Elbow	4	

	22	<a href="#">3628633</a>	Male Adapter Elbow	1	
<input type="checkbox"/>	23	<a href="#">3922794</a>	O-Ring Seal	1	
<input type="checkbox"/>	27	<a href="#">3628927</a>	Flexible Hose	1	
<input type="checkbox"/>	28	<a href="#">3628929</a>	Flexible Hose	1	
<input type="checkbox"/>		<a href="#">3067424</a>	Threaded Plug	4	1/2 - 20 UNF.
<input type="checkbox"/>	30	<a href="#">3037236</a>	O-Ring Seal	1	Ref. SPT 97T10
	31	<a href="#">3067347</a>	Threaded Plug	1	
<input type="checkbox"/>		<a href="#">3630764</a>	Male Union Tee	2	
	34	<a href="#">3630765</a>	Plain Adapter Tee	1	
<input type="checkbox"/>	35	<a href="#">3922794</a>	O-Ring Seal	1	