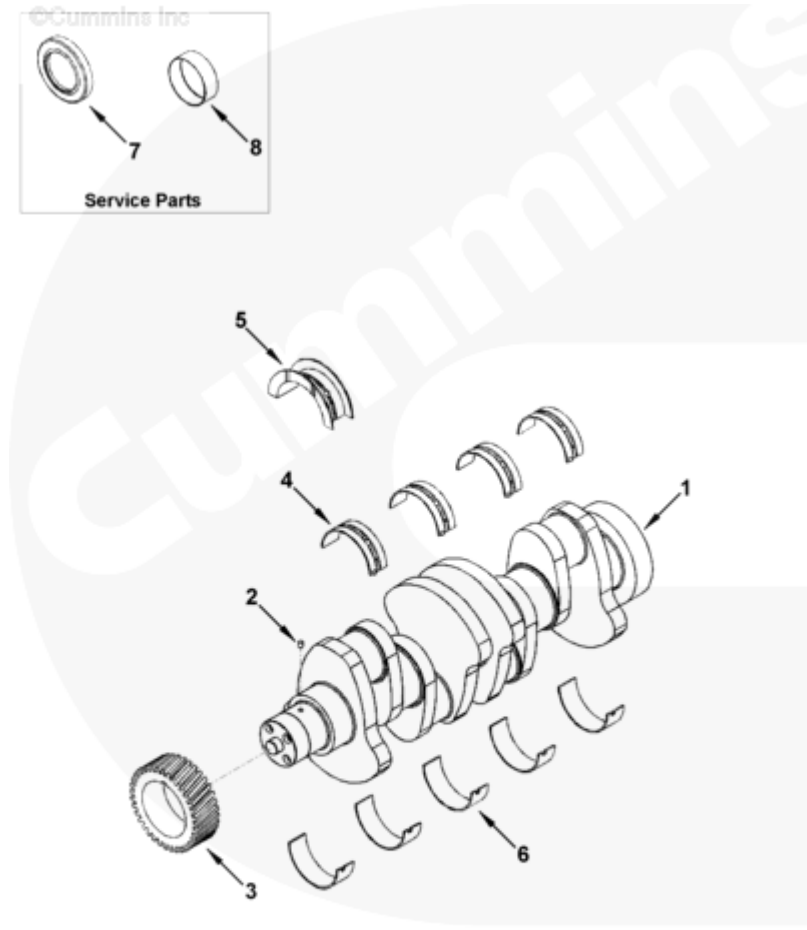
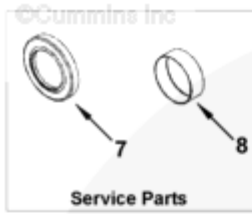




Parts Catalog - Option Detail

Electronic Parts Catalog - Option Detail				
Option	Group	Graphic	Film Card	Date
BP9782-01	01.02	ks940gb	T	10-AUG-96
Engines	4B3.9, 6A3.4, 6B5.9, B GAS INTERNATIONAL CM556, B4.5, B4.5 CM2350 B129B, B4.5 CM2350 B146C, B4.5 CM2350 B147B, B4.5 RGT, B4.5S, B5.9 G, B5.9 GAS PLUS CM556, B5.9 LPG, B5.9 LPG PLUS CM556, B6.7 CM2350 B121B, B6.7 CM2350 B135B, B6.7 CM2350 B136C, B6.7 CM2350 B148B, B6.7 G CMOH6.0 B125, B6.7N CM2380 B150B, B6.7S, F3.8 CM2350 F120B, F3.8 CM2350 F128C, F3.8 CM2350 F132B, F3.8 F102, G3.9, G5.9, G5.9 CM558, ISB (CHRYSLER), ISB CM2150, ISB CM2150 E, ISB CM550, ISB CM850, ISB/ISD4.5 CM2150 B119, ISB/ISD4.5 CM2150 SN, ISB/ISD6.7 CM2150 B120, ISB/ISD6.7 CM2150 SN, ISB/ISD6.7 CM2880 B126, ISB3.9 CM2220 B107, ISB4.5 CM2150, ISB5.9G CM2180, ISB6.7 2010 DCX PICKUP, ISB6.7 2013 DCX CHASSIS CAB, ISB6.7 CM2150 SQ, ISB6.7 CM2250, ISB6.7 CM2350 B101, ISB6.7 CM2350 B103, ISB6.7 CM2350 B142, ISB6.7 CM2670 B153B, ISB6.7 G CM2180 B118, ISBE CM2150, ISBE CM800, ISBE2/ISBE3 CM850, ISBE4 CM850, ISD4.5 CM2150, ISD6.7 CM2880 D101, ISF2.8 CM2220, ISF2.8 CM2220 AN, ISF2.8 CM2220 EC, ISF2.8 CM2220 ECF2, ISF2.8 CM2220 F101, ISF2.8 CM2220 F117, ISF2.8 CM2220 F122, ISF2.8 CM2220 F126, ISF2.8 CM2220 F129, ISF2.8 CM2220 IAN, ISF3.8 CM2220, ISF3.8 CM2220 AN, ISF3.8 CM2220 F103, ISF3.8 CM2220 F110, ISF3.8 CM2220 F116, ISF3.8 CM2220 F134B, ISF3.8 CM2220 IAN, ISF3.8 CM2350 F109, ISF4.5 CM2220 F123, ISG11 CM2880 G106, ISG11 CM2880 G108, ISG12 CM2880 G107, ISG12 CM2880 G109, ISG12 G CMOH6.0 G111, QSB3.9 30 CM550, QSB3.9 CM2880 B138, QSB4.5 30 CM550, QSB4.5 CM2150 B108, QSB4.5 CM2250 B131, QSB4.5 CM2250 EC, QSB4.5 CM2350 B106, QSB4.5 CM2350 B122			



ks940gb

SMALL | MEDIUM | LARGE

Cart	Ref No	Part Number	Part Description	Required	Remarks
View My Cart					
		BP9782-01	Crankshaft And Bearings		Crankshaft and Bearings
	1	3929036	Engine Crankshaft	1	Serviced as 3908031
<input type="checkbox"/>	2	3904483	Pin Dowel	1	
<input type="checkbox"/>	3	3929027	Crankshaft Gear	1	
<input type="checkbox"/>		3802010	Main Bearing Set	1	
<input type="checkbox"/>	4	3929016	Main Bearing	4	Standard
	5	3927772	Crankshaft Thrust Bearing	1	Standard

<input type="checkbox"/>					
<input type="checkbox"/>	6	3929021	Main Bearing	5	Standard
<input type="checkbox"/>		3802011	Main Bearing Set	1	
<input type="checkbox"/>	4	3929017	Main Bearing	4	0.25 mm Oversize
<input type="checkbox"/>	5	3927773	Crankshaft Thrust Bearing	1	0.25 mm Oversize
<input type="checkbox"/>	6	3929022	Main Bearing	5	0.25 mm Oversize
<input type="checkbox"/>		3802012	Main Bearing Set	1	
<input type="checkbox"/>	4	3929018	Main Bearing	4	0.50 mm Oversize
<input type="checkbox"/>	5	3927774	Crankshaft Thrust Bearing	1	0.50 mm Oversize
<input type="checkbox"/>	6	3929023	Main Bearing	5	0.50 mm Oversize
<input type="checkbox"/>		3802013	Main Bearing Set	1	
<input type="checkbox"/>	4	3929019	Main Bearing	4	0.75 mm Oversize
<input type="checkbox"/>	5	3927775	Crankshaft Thrust Bearing	1	0.75 mm Oversize
<input type="checkbox"/>	6	3929024	Main Bearing	5	0.75 mm Oversize
<input type="checkbox"/>		3802014	Main Bearing Set	1	
<input type="checkbox"/>	4	3929020	Main Bearing	4	1.00 mm Oversize
<input type="checkbox"/>	5	3927776	Crankshaft Thrust Bearing	1	1.00 mm Oversize
<input type="checkbox"/>	6	3929025	Main Bearing	5	1.00 mm Oversize
<input type="checkbox"/>	7	3802820	Wear Sleeve Kit Front Seal	A/R	Front.
<input type="checkbox"/>	8	3926126	Wear Sleeve Kit Rear Seal	A/R	Rear.