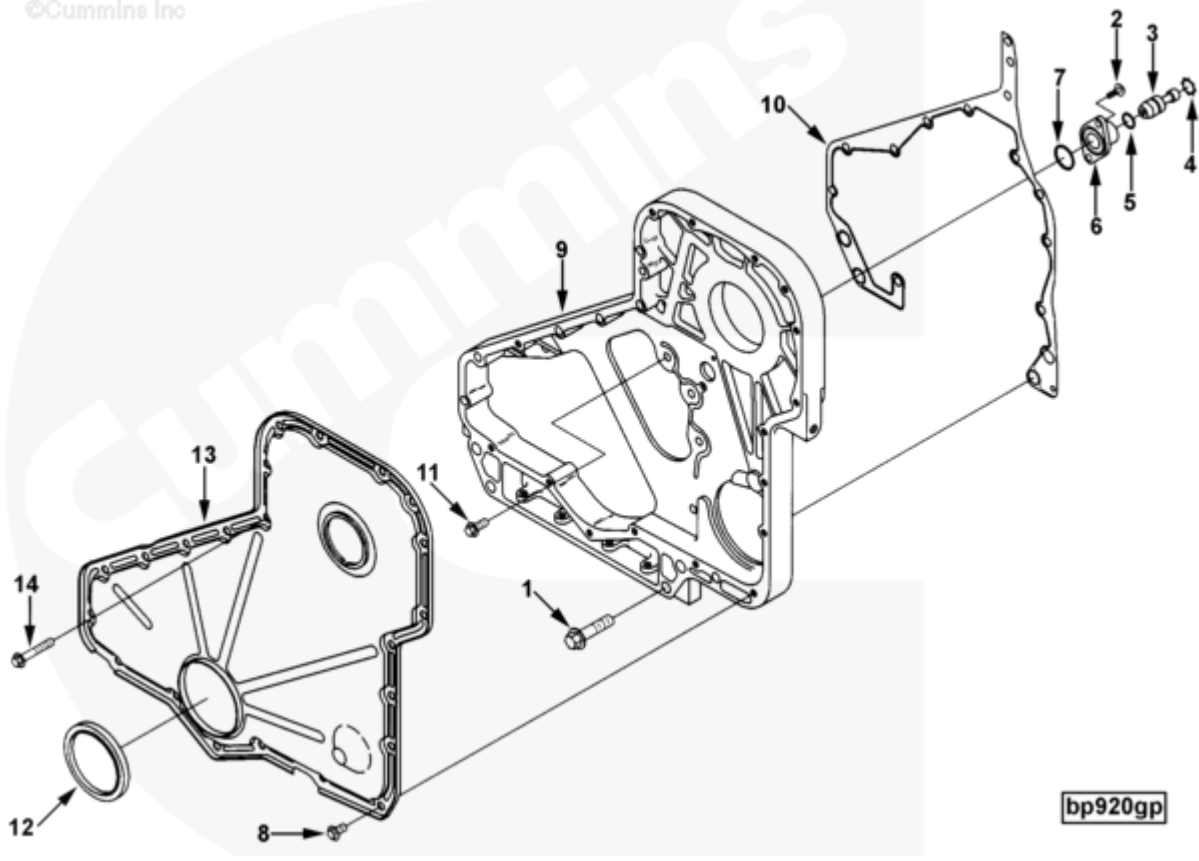




Parts Catalog - Option Detail

Electronic Parts Catalog - Option Detail				
Option	Group	Graphic	Film Card	Date
BP9736-05	01.06	bp920gp	Z	23-OCT-03
Engines	6C8.3, C GAS PLUS CM556, G8.3, G8.3 CM558, GTA8.3 CM558, ISC CM2150, ISC CM554, ISC CM850, ISC8.3 CM2250, ISC8.3 G CM2180 C101, ISL CM2150, ISL CM554, ISL CM850, ISL G CM2180, ISL8.9 CM2150 L110, ISL8.9 CM2880 L112, ISL9 CM2150 SN, ISL9 CM2250, ISL9 CM2350 L101, ISL9 CM2350 L111, ISLE4 CM850, L GAS PLUS CM556, L8.9, L8.9 L121, L8.9G CMOH2.0 L125B, L9 CM2350 L116B, L9 CM2350 L119B, L9 CM2350 L120C, L9 CM2350 L123B, L9.3 L105, L9.5 L117, L9N CM2380 L124B, QSC8.3 CM2250, QSC8.3 CM2880 C102, QSC8.3 CM554, QSC8.3 CM850(CM2850), QSL9 CM2250, QSL9 CM2250 L115, QSL9 CM2350 L102, QSL9 CM2350 L107, QSL9 CM2350 L118, QSL9 CM2350 L122, QSL9 CM554, QSL9 CM850(CM2850), QSL9 G CM558, QSL9 M CM2250 L106, QSL9.3 CM2880 L113			



[SMALL](#) | [MEDIUM](#) | [LARGE](#)

Cart	Ref No	Part Number	Part Description	Required	Remarks
View My Cart					
		BP9736-05	Front Gear Cover		FRONT GEAR COVER...(More)
					Engine Family: C Series
					Noise Dampening Panel

					Provision: No
					PTO Location: Low PTO
					Front Support Provision: No
					Access for Tach Drive: Yes
					Gear Housing Material: Cast
					Aluminum
					Fuel Pump Mounted Angle: 35
					degree
					Additional Clearance for
					Engine Mount: No
					Compatible With Oil Pan
					Corner Stiffener: No
					Engine Design Phase: Current
					Product
					Fuel Pump: Bosch A, Bosch
					A3500, Bosch MW
					3906619 pipe plugs and
					3926924 gear housing may be
					substituted by Brazil for
					3926721 gear housing.
					3917780 Gasket and 3916193
					gear cover may be substituted
					by Brazil for 3925230 gear
					cover.
					Brazil may use P/N 3971264
					instead of 3926840.
<input type="checkbox"/>	1	3902116	Hexagon Flange Head Cap Screw	4	M12 X 1.75 X 50.
<input type="checkbox"/>	2	3907998	Round Head Cap Screw	2	M5 x 0.80 x 17
<input type="checkbox"/>		3913995	Timing Pin Housing	1	Purchase Individual Parts

<input type="checkbox"/>	3	3903924	Timing Pin	1	
<input type="checkbox"/>	4	3904849	Retaining Ring	1	
<input type="checkbox"/>	5	3913994	O-Ring Seal	1	
<input type="checkbox"/>	6	3919683	Timing Pin Housing	1	
<input type="checkbox"/>	7	3915772	Rectangular Ring Seal	1	
<input type="checkbox"/>	8	3925883	Hexagon Flange Head Cap Screw	16	M8 X 1.25 X 16
<input type="checkbox"/>	9	3926721	Gear Housing	1	
<input type="checkbox"/>	10	3938737	Gear Housing Gasket	1	
<input type="checkbox"/>	11	3926846	Hexagon Flange Head Cap Screw	5	M8 X 1.25 X 20.
<input type="checkbox"/>		3926847	Gear Cover	1	
	12	3921927	Oil Seal	1	
	13	3925230	Gear Cover	1	
<input type="checkbox"/>	14	3926863	Hexagon Flange Head Cap Screw	6	M8 X 1.25 X 50.