

# QL Parts list



Marine Accessories  
by Volvo Penta





# QL PUMP PROGRAMME

## Submersible bilge pumps

	Capacity	Part no
Junior mate	30 l/min; 1800 l/h 7.9 US gal/min; 475.5 US gal/h	41100000
SBP45	45 l/min; 2700 l/h 11.9 US gal/min; 713.3 US gal/h	41103000
SBP55	55 l/min; 3300 l/h 14.5 US gal/min; 871.8 US gal/h	41103001
SBP65	65 l/min; 3900 l/h 17.2 US gal/min; 1030.3 US gal/h	41103002
SBP75	75 l/min; 4500 l/h 19.8 US gal/min; 1088.8 US gal/h	41103003
SBP130 12V	130 l/min; 7800 l/h 34.3 US gal/min; 2060.5 US gal/h	41103008
SBP130 24V	130 l/min; 7800 l/h 34.3 US gal/min; 2060.5 US gal/h	41103009
SBP45 combi	incl electronic level switch	41103004
SBP55 combi	incl electronic level switch	41103005
SBP65 combi	incl electronic level switch	41103006
SBP75 combi	incl electronic level switch	41103007
Shower pump	3 inlets and strainer, SBP55	41103010



*Bilge pumps*

## Manual bilge pumps

Manual bilge pump 1 1/2" thru deck	90 l/min 23.8 US gal/min at 100 strokes/min	41103013
Manual bilge pump 1" thru deck	90 l/min 23.8 US gal/min at 100 strokes/min	41103014
Manual bilge pump 1 1/2" bulkhead	90 l/min 23.8 US gal/min at 100 strokes/min	41103015
Manual bilge pump 1" bulkhead	90 l/min 23.8 US gal/min at 100 strokes/min	41103016



*Manual bilge pumps*

## Water pressure pumps

WPS300 12V	5 l/min; 300 l/h 1.3 US gal/min; 79.3 US gal/h	41100011
WPS450 12V	7.5 l/min; 450 l/h 2.0 US gal/min; 118.9 US gal/h	41100013
WPS650 12V	11 l/min; 660 l/h 2.9 US gal/min; 174.4 US gal/h	41100015
WPS650 24V	11 l/min; 660 l/h 2.9 US gal/min; 174.4 US gal/h	41100016



*Water pressure pumps*

## Impeller pumps

FDC850 12V	14 l/min; 840 l/h 3.7 US gal/min; 221.9 US gal/h	41100022
FDC900 12V	15 l/min; 900 l/h 4.0 US gal/min; 237.6 US gal/h	41100024
FDC 2700 12V	45 l/min; 2700 l/h 11.9 US gal/min; 713.3 US gal/h	41103017
FDC 2700 24V	45 l/min; 2700 l/h 11.9 US gal/min; 713.3 US gal/h	41103018



*Impeller pumps*

## Macerator pumps

MP1000 12V	37 l/min; 2200 l/h 9.8 US gal/min; 586.5 US gal/h	41100029
------------	--	----------



### Accessories



Control panel



Accumulator tank



Deckwash kit

#### Submersible bilge pumps

Control panel 12 V	41100009
Control panel 24 V	41100010
Float switch	41100008
Electronic level switch 12V	41103011
Electronic level switch 24V	41103012

#### Water pressure pumps

Accumulator tank 1.4l/ 47 Oz	41100017
Filter	41100018

#### Impeller pumps

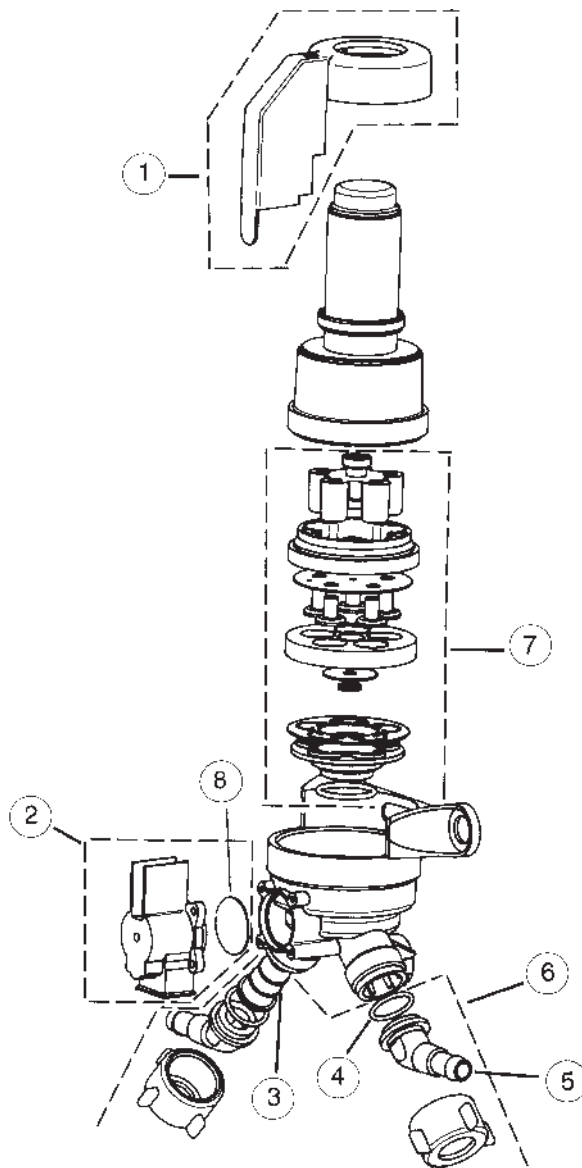
Vacuum switch	41100028
Deckwash kit FDC2700	41103019

### Spare parts

#### Water pressure pumps

##### WPS300 & 450

Pos	Description	Part no
1	Cover	41100166
2	Pressure switch	41100162
3	Strainer	41100165
4	O-ring	41100167
5	Connection	41100160
6-7	Service kit	41100163
8	Diaphragm	41100161





**WPS650**

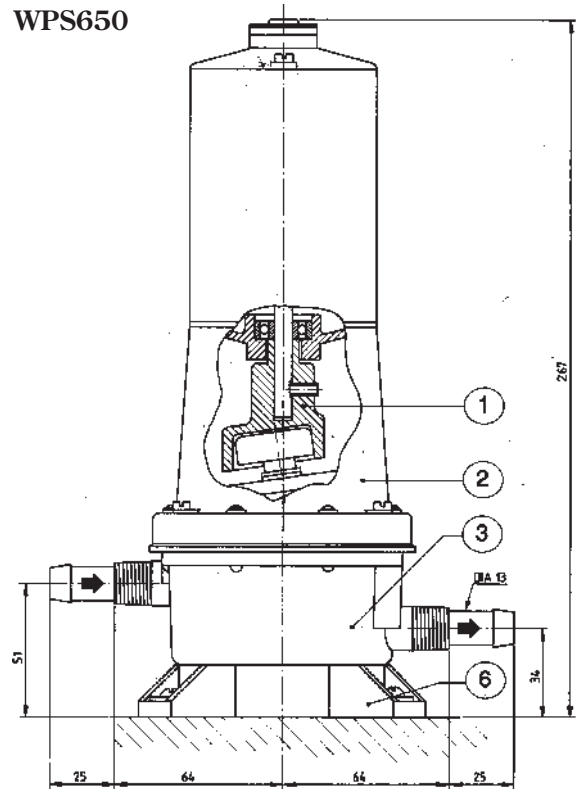
**Pos Description**

1	Clutch
2	Cover
3	Pump assembly complete
4	Pressure switch
5	Diaphragm
6	Mounting kit feet

**Part no**

41100169
41100168
41100173
41100172
41100170
41100171

**WPS650**



**Impeller pumps**

**FDC850**

Service kit	41100174
Impeller kit	41100177

**Part no**

**FDC900**

Service kit	41100175
Impeller kit	41100178

**Part no**

**FDC3300**

Service kit	41100176
Impeller kit	41100179

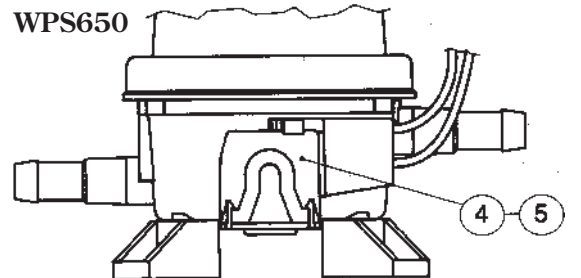
**Part no**

**FDC2700**

Impeller kit	41103034
--------------	----------

**Part no**

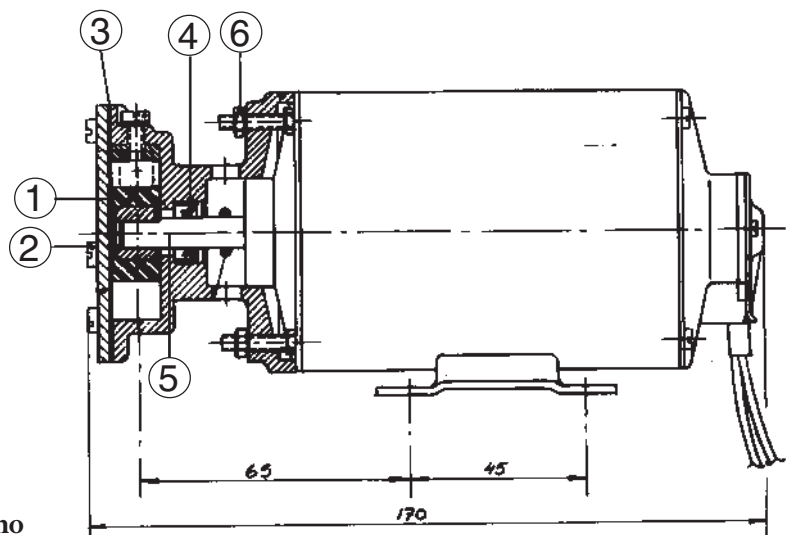
**WPS650**



**Service kit including**

**Pos**

1	Impeller
2	Screws
3	Sealing
4	Sealing
5	Washer
6	Nuts



**Manual bilge pumps**

Diaphragm	41103035
Valve clack	41103036

**Part no**

41103035
41103036

**Macerator pump MP1000**

Service kit	41100175
Impeller kit	41100178

**Part no**

41100175
41100178



# QL THRUSTER PROGRAMME



## Electric thrusters

### Bow thrusters

	Volt	Motor output	Tunnel diam	Thrust	Max boat size	Part no
BP300	12	2 kW	132 mm	30 kgs/66 lbs	26 feet	41100436
BP450	12	3 kW	132 mm	44 kgs/97 lbs	31 feet	41100437
BP450	24	3 kW	132 mm	44 kgs/97 lbs	31 feet	41100455
BP600	12	3 kW	185 mm	59 kgs/130 lbs	39 feet	41100438
BP600	24	3 kW	185 mm	59 kgs/130 lbs	39 feet	41100439
BP800	12	5 kW	185 mm	80 kgs/177 lbs	50 feet	41100391
BP800	24	5 kW	185 mm	80 kgs/177 lbs	50 feet	41100392
BP900	12	5 kW	185 mm	89 kgs/196 lbs	55 feet	41100447
BP900	24	5 kW	185 mm	89 kgs/196 lbs	55 feet	41100448
BP1200	24	7 kW	250 mm	120 kgs/265 lbs	70 feet	41100393
BP1300	24	7 kW	250 mm	137 kgs/302 lbs	75 feet	41100631

### Stern thrusters

SP600	12	3 kW	185 mm	59 kgs/130 lbs	39 feet	41100442
SP600	24	3 kW	185 mm	59 kgs/130 lbs	39 feet	41100443
SP900	12	5 kW	185 mm	89 kgs/196 lbs	55 feet	41100444
SP900	24	5 kW	185 mm	89 kgs/196 lbs	55 feet	41100445
SP1300	24	7 kW	250 mm	137 kgs/302 lbs	75 feet	41100446



## Hydraulic thrusters

### Bow thrusters

	Oil flow	Oil flow	Oil pressure	Tunnel diam	Thrust	Max boat size	Part no
BP1000 H	20 l/min	5.3 US gal/min	180 bar/2600 psi	185 mm	100 kgs/221 lbs	60 feet	41100700
BP1500 H	25 l/min	6.6 US gal/min	180 bar/2600 psi	250 mm	150 kgs/331 lbs	80 feet	41100701

### Stern thrusters

SP1000 H	20 l/min	5.3 US gal/min	180 bar/2600 psi	185 mm	100 kgs/221 lbs	60 feet	41100702
SP1500 H	25 l/min	6.6 US gal/min	180 bar/2600 psi	250 mm	150 kgs/331 lbs	80 feet	41100703



## Accessories

### Tunnels

Diam	Length	Thickness	Part no
132 mm	750 mm	5–7 mm	41100411
	1000 mm		41100412
185 mm	750 mm	4–6 mm	41100053
	1000 mm		41100054
	1500 mm		41100055
	1750 mm		41100056
250 mm	750 mm	5–7 mm	41100217
	1000 mm		41100218
	1500 mm		41100219
	1750 mm		41100220

### Control panels



Joystick



Lever/button



Touch panel

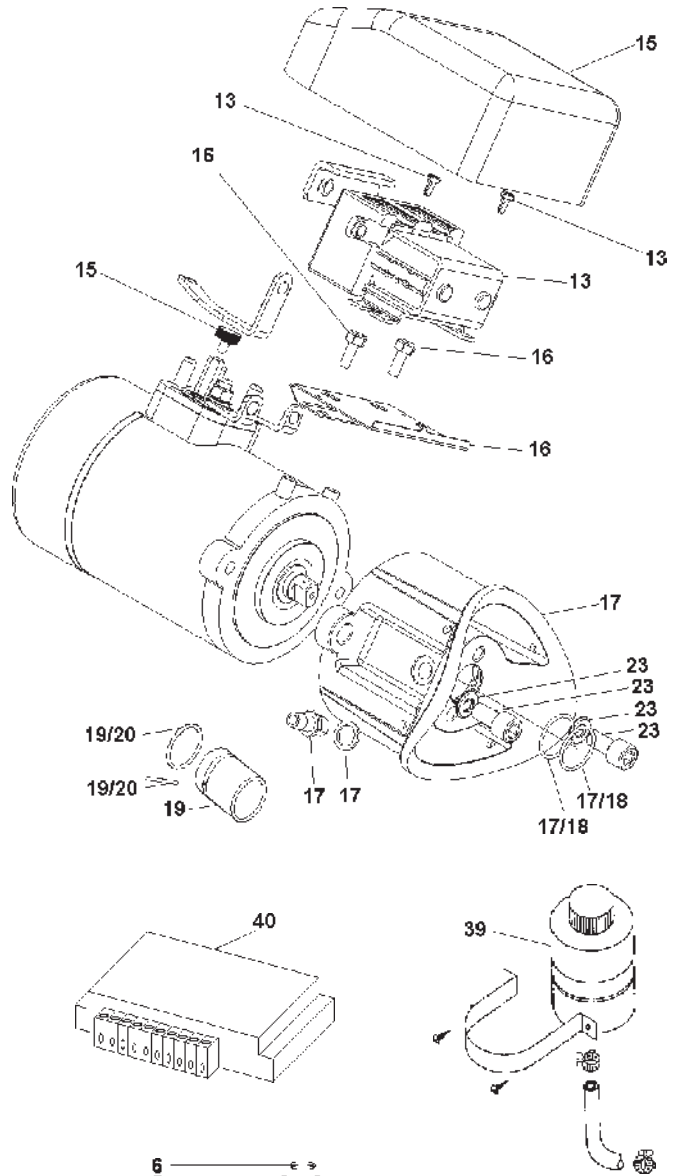
	single/double	Volt	Part no
Joystick (incl 10 m/32.8 ft cable)	single	12 / 24 V	41100743
	double	12 / 24 V	41100744
Lever/button (incl 10 m/32.8 ft cable)	single	12 V	41100745
	single	24 V	41100746
	double	12 V	41100747
	double	24 V	41100748
Touch panel (incl 10 m/32.8 ft cable)	single	12 / 24 V	41100617

### Fuse

	Volt	Fuse Amp	Incl holder	Excl holder
BP300	12 V	200 A	41100600	41100601
BP450 BP/SP 600	12 / 24 V	300 A	41100052	41100180
BP/SP 800–900	24 V	355 A	41100604	41100603
BP/SP 800–900	12 V	425 A	41100403	41100402
BP/SP 1200, 1300	24 V	425 A	41100403	41100402

### Spare parts BP250&300

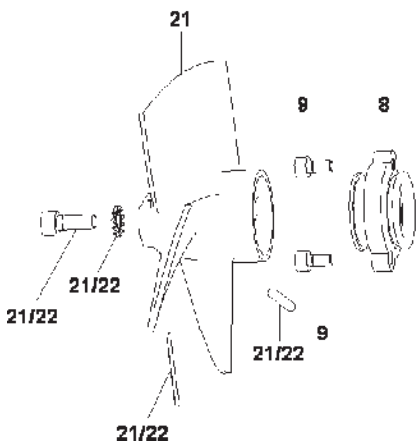
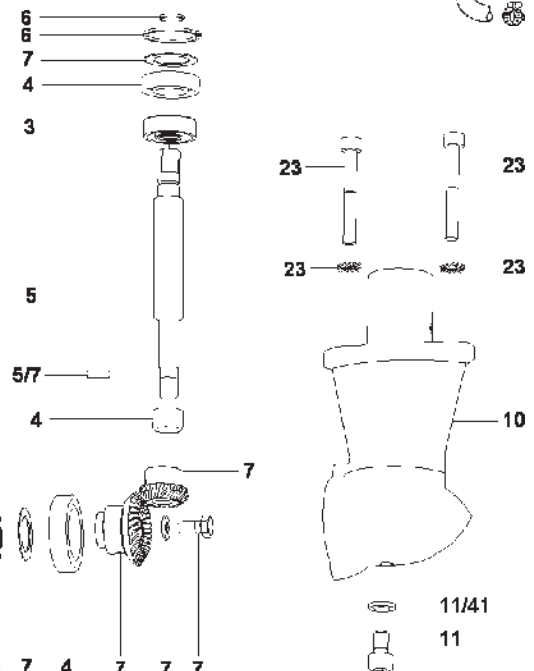
Pos	Description	Part no
1	Motor 12 V	41100669
3	Sealing kit	41100660
4	Bearing kit	41100661
5	Shaft kit	41100662
6	Circlip kit	41100663
7	Drive kit	41100664
8	Gear housing flange kit	41100467
9	Screw kit flange	41100665
10	Gear housing	41100666
11	Oil plug kit	41100667
12	Gear housing complete	41100668
13	Relay 12 V	41100670
15	Relay Cover	41100671
16	Relay bracket	41100672
17	Bracket compl	41100674
18	Bracket O-ring	41100428
19	Coupling kit	41100675
20	Driver kit (coupling)	41100676
21	Propeller kit RH	41100677
22	Driver pin kit (propeller)	41100678
23	Screw kit motor/ gear housing/ bracket	41100673
38	Thruster oil 0,25 l/8.4 Oz	41100129
39	Oil container kit	41100659
40	Circuit card	41100658
41	Oil plug gasket	41100759
	Motor brush kit 12 V	41100611
	Temperature sensor	41100618



### QL Control panel spare parts

**Joystick panel (black)**  
Rubber cover 41100619

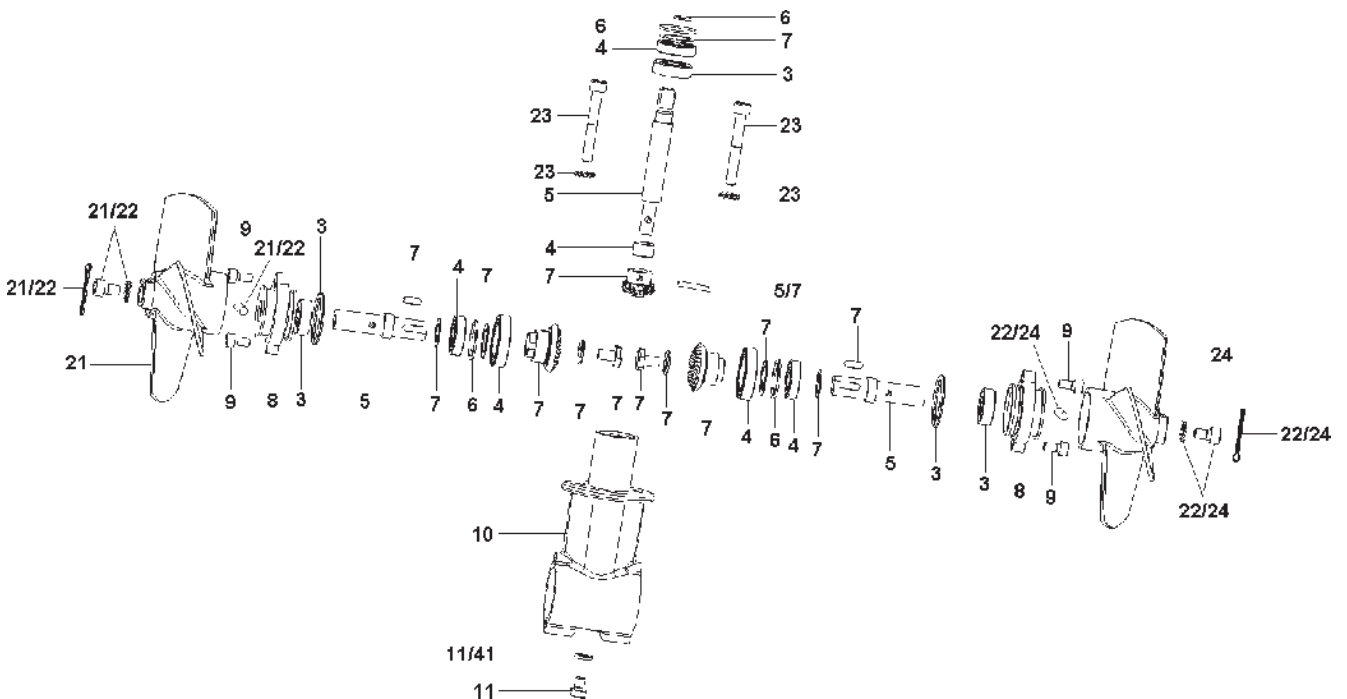
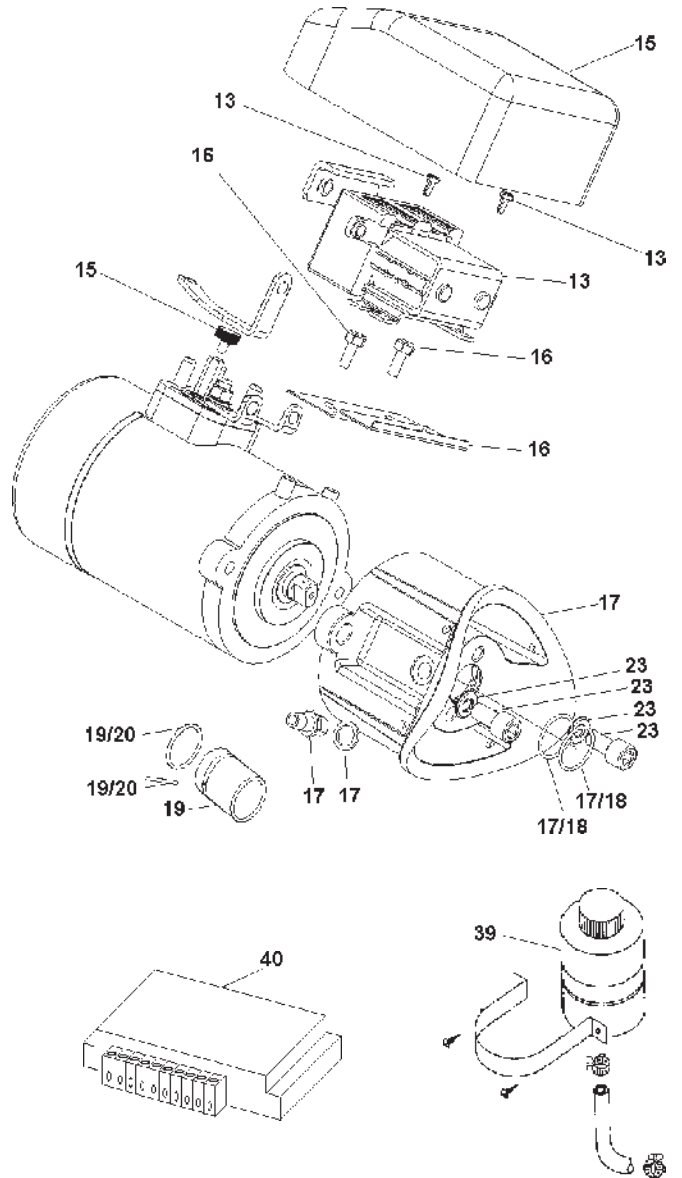
**Rocker switch panel**  
Light bulb 12 V 19923  
Light bulb 24 V 182059  
Rubber hatch (power on/off) 828586  
Rubber hatch (direction switch) 828743





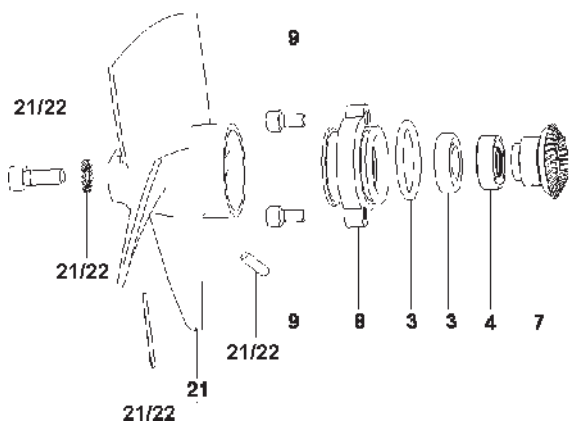
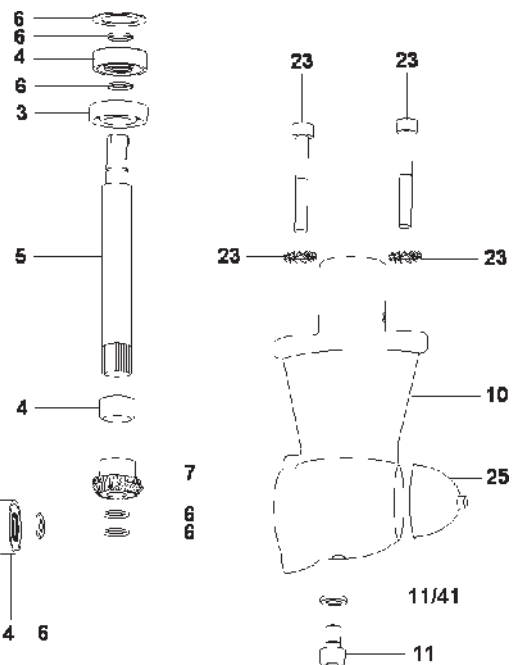
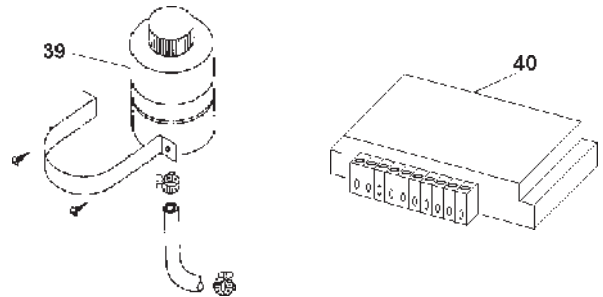
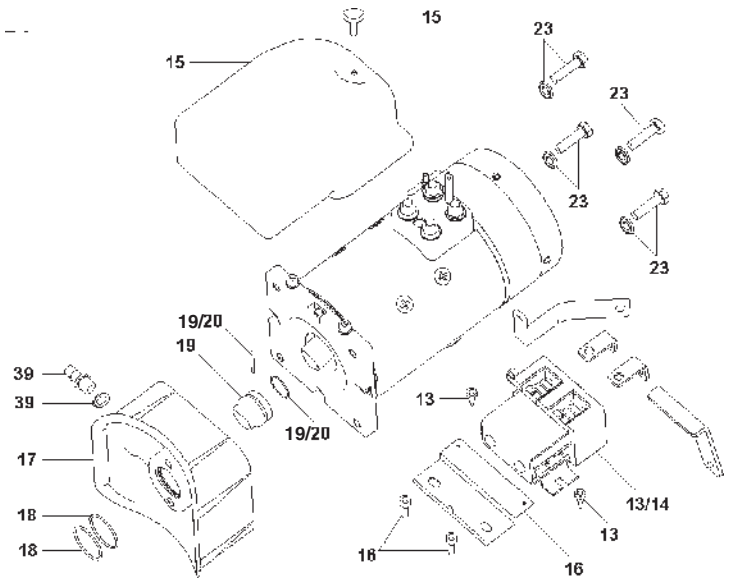
### Spare parts BP450

Pos	Description	Part no
1	Motor 12 V	41100686
2	Motor 24 V	41100687
3	Sealing kit	41100679
4	Bearing kit	41100680
5	Shaft kit	41100681
6	Circlip kit	41100682
7	Drive kit	41100684
8	Gear housing flange kit	41100467
9	Screw kit flange	41100665
10	Gear housing	41100683
11	Oil plug kit	41100667
12	Gear housing complete	41100685
13	Relay 12 V	41100670
14	Relay 24 V	41100710
15	Relay Cover	41100671
16	Relay bracket	41100688
17	Bracket compl	41100674
18	Bracket O-ring	41100428
19	Coupling kit	41100675
20	Driver kit (coupling)	41100676
21	Propeller kit RH	41100677
22	Driver pin kit (propeller)	41100678
23	Screw kit motor/gear housing/bracket	41100673
24	Propeller kit LH	41100689
38	Thruster oil 0,25 l/8.4 Oz	41100129
39	Oil container kit	41100659
40	Circuit card	41100658
41	Oil plug gasket	41100759
	Motor brush kit 12 V	41100610
	Motor brush kit 24 V	41100614
	Temperature sensor	41100618



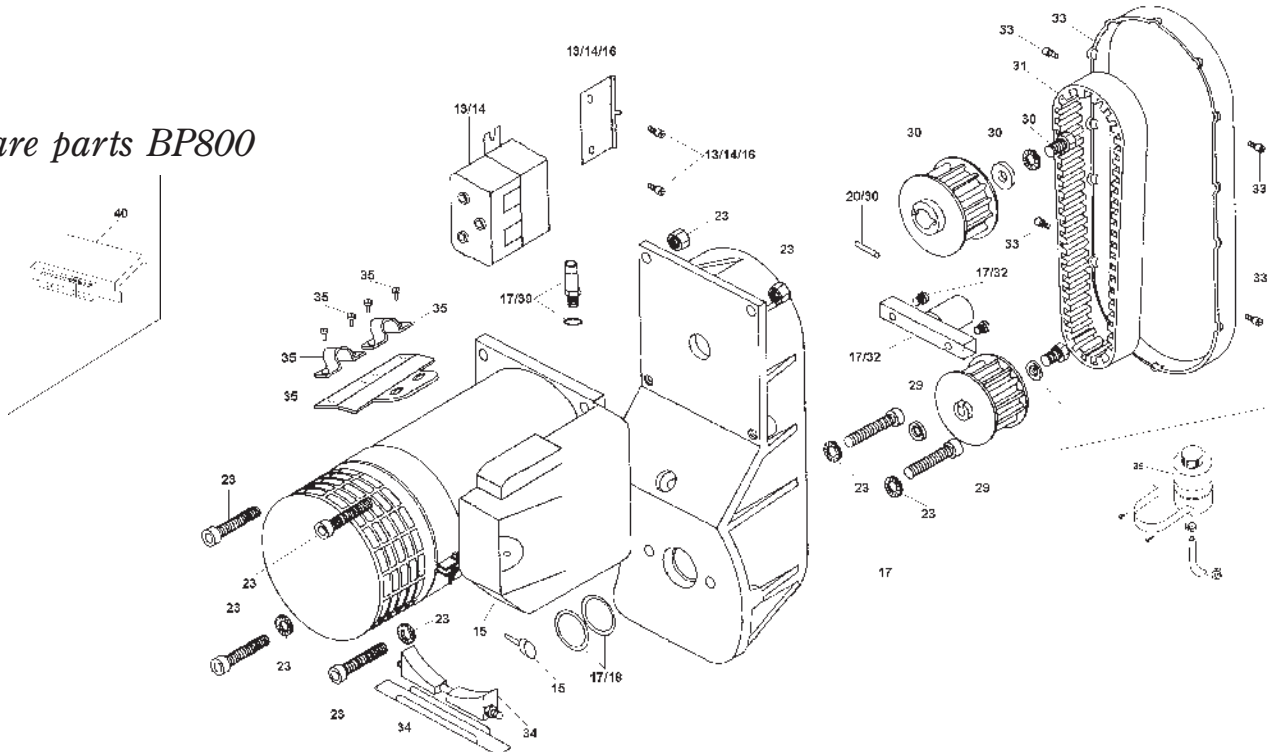
### Spare parts BP500&600

Pos	Description	Part no
1	Motor 12 V	41100705
2	Motor 24 V	41100706
3	Sealing kit	41100690
4	Bearing kit	41100691
5	Shaft kit	41100692
6	Circlip kit	41100693
7	Drive kit	41100694
8	Gear housing flange kit	41100695
9	Screw kit flange	41100265
10	Gear housing	41100696
11	Oil plug kit	41100356
12	Gear housing complete	41100697
13	Relay 12 V	41100670
14	Relay 24 V	41100710
15	Relay Cover	41100671
16	Relay bracket	41100688
17	Bracket compl	41100711
18	Bracket O-ring	41100105
19	Coupling kit	41100708
20	Driver kit (coupling)	41100709
21	Propeller kit RH	41100698
22	Driver pin kit (propeller)	41100704
23	Screw kit motor/ gear housing/ bracket	41100712
25	Zinc anode kit	41100098
38	Thruster oil 0,25 l/8.4 Oz	41100129
39	Oil container kit	41100659
40	Circuit card	41100658
41	Oil plug gasket	41100760
	Motor brush kit 12 V	41100610
	Motor brush kit 24 V	41100615
	Temperature sensor	41100618



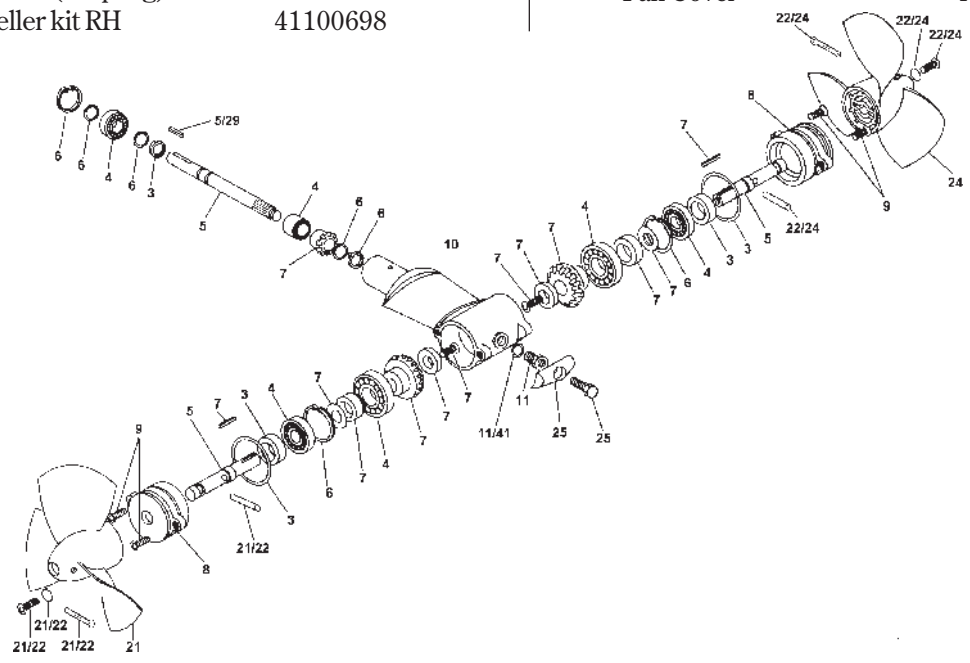


Spare parts BP800

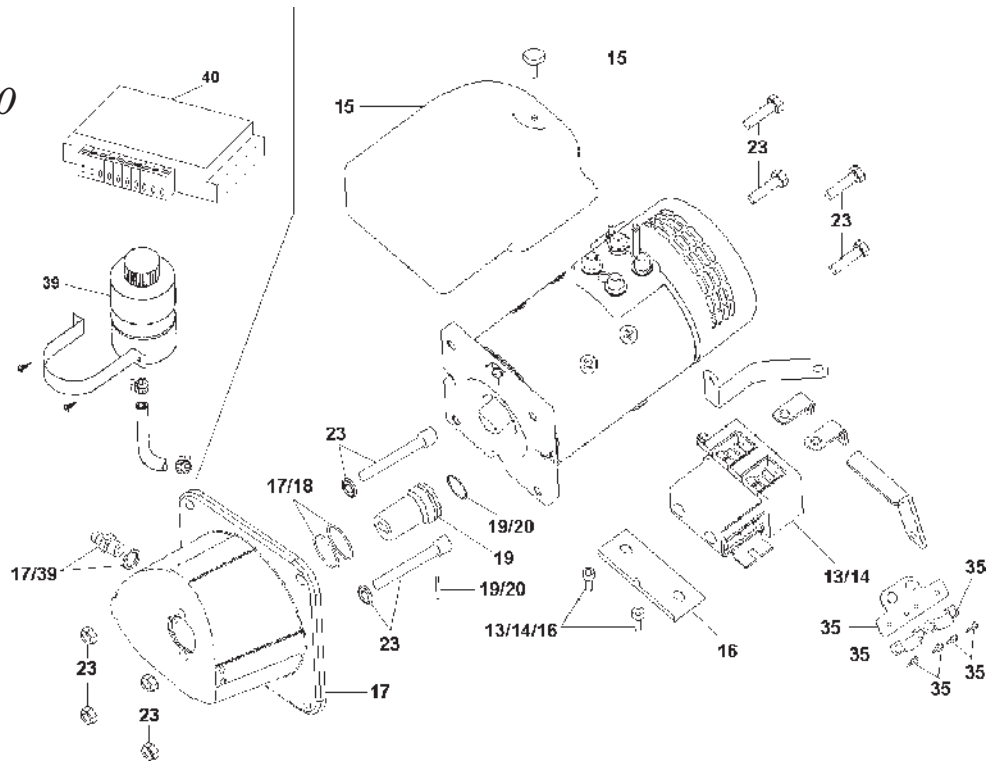


Pos	Description	Part no
1	Motor 12 V	41100647
2	Motor 24 V	41100648
3	Sealing kit	41100637
4	Bearing kit	41100638
5	Shaft kit	41100640
6	Circlip kit	41100641
7	Drive kit	41100642
8	Gear housing flange kit	41100478
9	Screw kit flange	41100265
10	Gear housing	41100644
11	Oil plug kit	41100274
12	Gear housing complete	41100645
13	Relay 12 V	41100649
14	Relay 24 V	41100723
15	Relay Cover	41100724
16	Relay bracket	41100725
17	Bracket compl	41100651
18	Bracket O-ring	41100105
20	Driver kit (coupling)	41100289
21	Propeller kit RH	41100698

Pos	Description	Part no
22	Driver pin kit (propeller)	41100704
23	Screw kit motor/ gear housing/bracket	41100650
24	Propeller kit LH	41100699
25	Zinc anode kit	41100276
29	Belt wheel kit gear housing	41100255
30	Belt wheel kit motor	41100256
31	Belt	41100257
32	Belt extension kit	41100290
33	Belt cover kit	41100652
34	Motor support	41100250
35	Cable bracket kit	41100729
38	Thruster oil 0,25 l/8.4 Oz	41100129
39	Oil container kit	41100659
40	Circuit card	41100658
41	Oil plug gasket	41100275
	Motor brush kit 12 V	41100616
	Motor brush kit 24 V	41100609
	Fan Cover	41100612

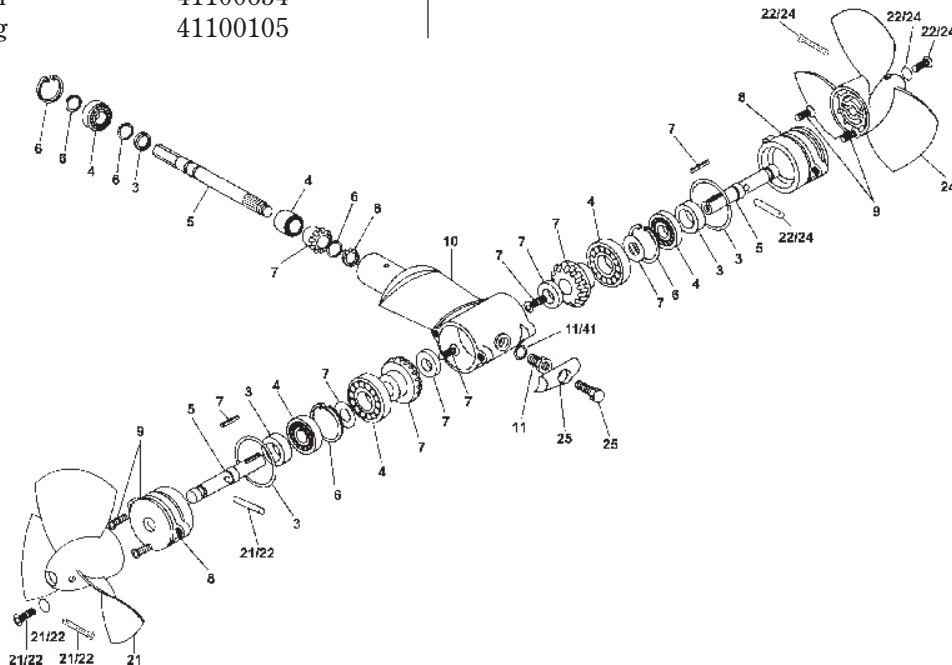


Spare parts BP900



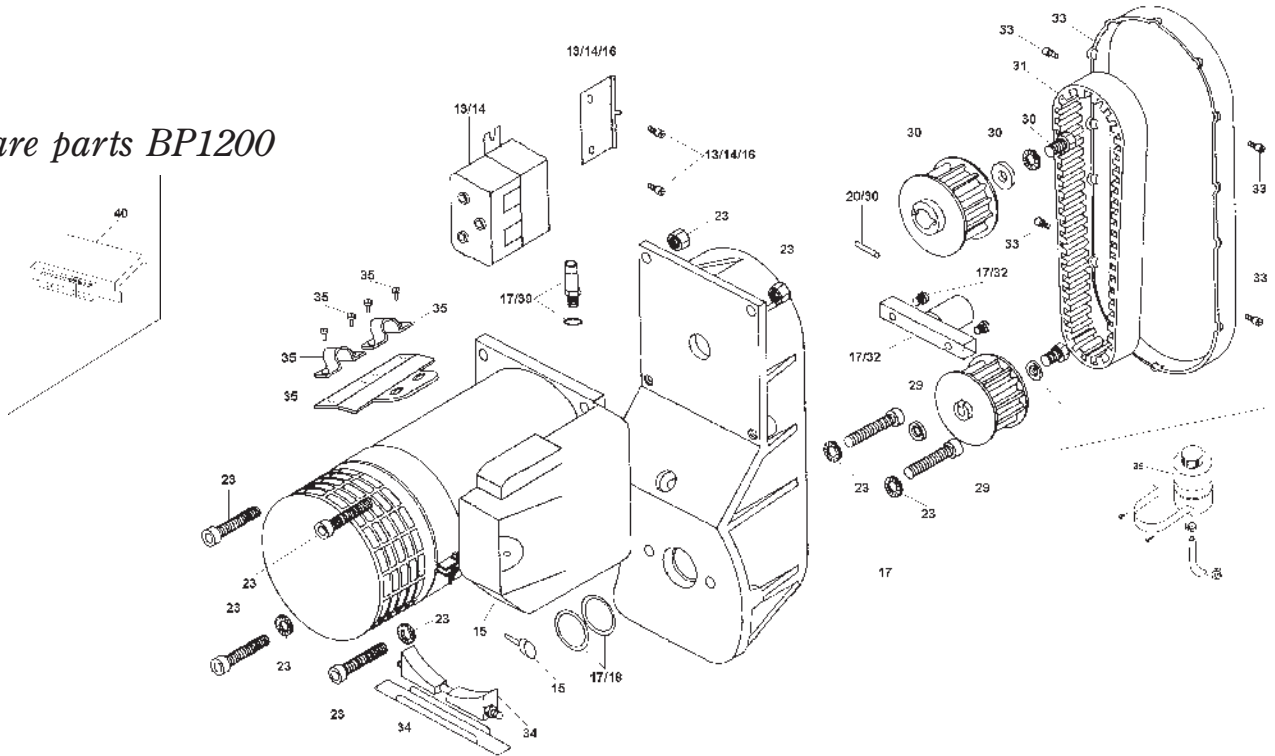
Pos	Description	Part no
1	Motor 12 V	41100647
2	Motor 24 V	41100648
3	Sealing kit	41100637
4	Bearing kit	41100638
5	Shaft kit	41100639
6	Circlip kit	41100641
7	Drive kit	41100643
8	Gear housing flange kit	41100478
9	Screw kit flange	41100265
10	Gear housing	41100644
11	Oil plug kit	41100274
12	Gear housing complete	41100646
13	Relay 12 V	41100649
14	Relay 24 V	41100723
15	Relay Cover	41100724
16	Relay bracket	41100725
17	Bracket compl	41100654
18	Bracket O-ring	41100105

Pos	Description	Part no
19	Coupling kit	41100655
20	Driver kit (coupling)	41100737
21	Propeller kit RH	41100698
22	Driver pin kit (propeller)	41100704
23	Screw kit motor/ gear housing/bracket	41100653
24	Propeller kit LH	41100699
25	Zinc anode kit	41100276
35	Cable bracket kit	41100729
38	Thruster oil 0,25 l/8.4 Oz	41100129
39	Oil container kit	41100659
40	Circuit card	41100658
41	Oil plug gasket	41100275
	Motor brush kit 12 V	41100616
	Motor brush kit 24 V	41100609
	Fan Cover	41100612



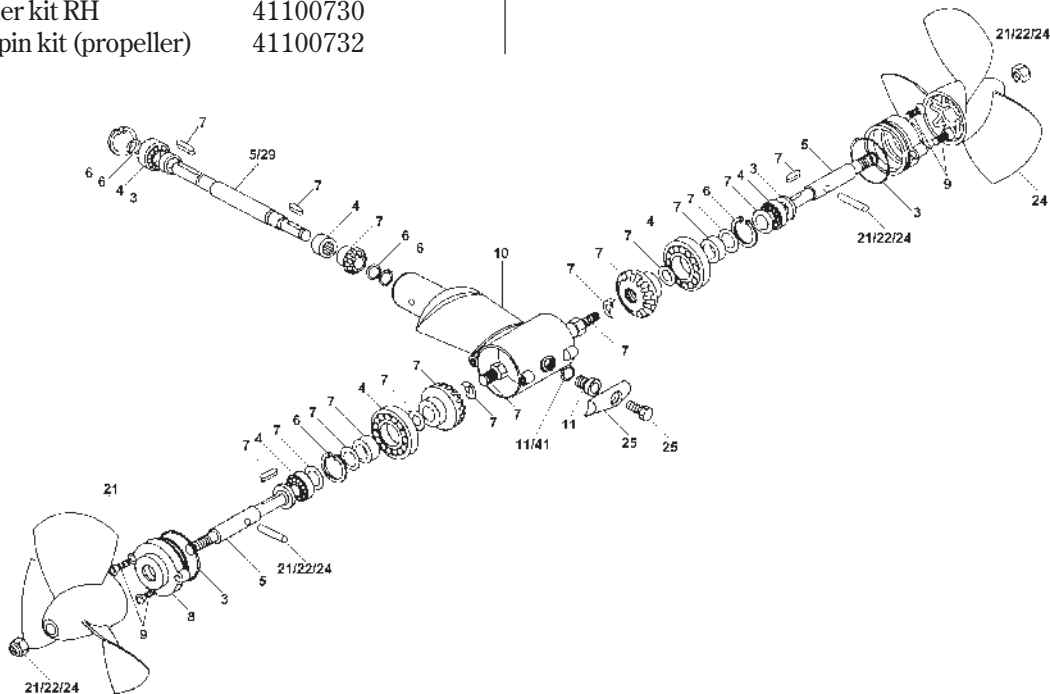


Spare parts BP1200



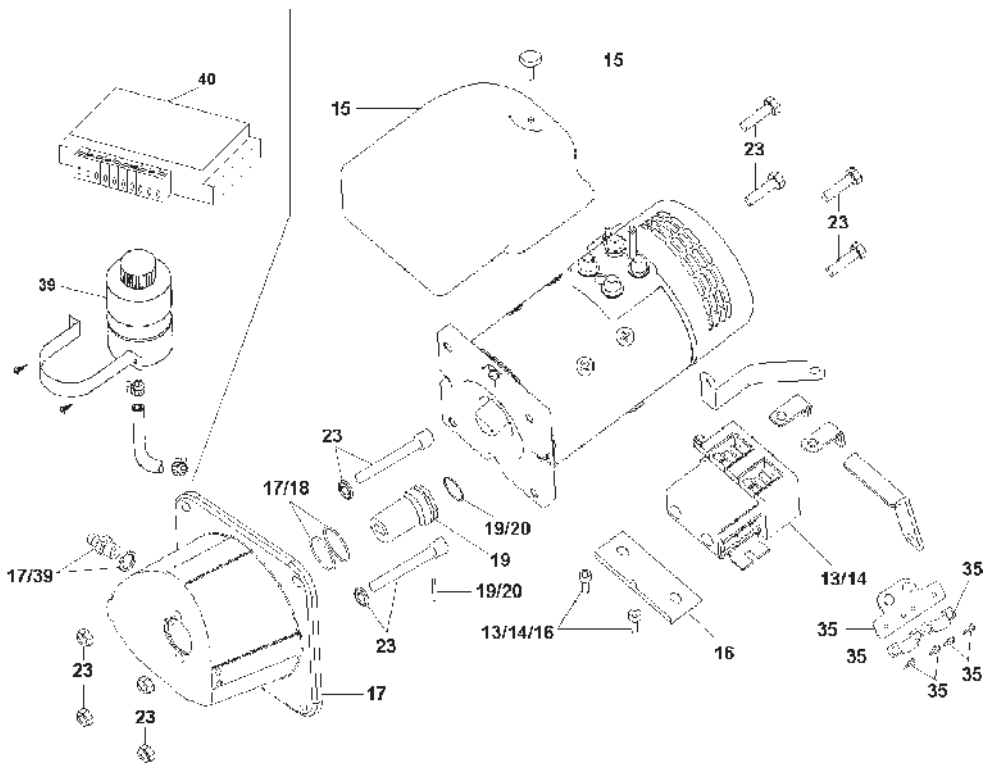
Pos	Description	Part no
2	Motor 24 V	41100742
3	Sealing kit	41100716
4	Bearing kit	41100717
5	Shaft kit	41100718
6	Circlip kit	41100720
7	Drive kit	41100719
8	Gear housing flange kit	41100722
9	Screw kit flange	41100721
10	Gear housing	41100308
11	Oil plug kit	41100274
12	Gear housing complete	41100293
14	Relay 24 V	41100723
15	Relay Cover	41100724
16	Relay bracket	41100725
17	Bracket compl	41100727
18	Bracket O-ring	41100285
20	Driver kit (coupling)	41100289
21	Propeller kit RH	41100730
22	Driver pin kit (propeller)	41100732

Pos	Description	Part no
23	Screw kit motor/ gear housing/bracket	41100726
24	Propeller kit LH	41100731
25	Zinc anode kit	41100276
29	Belt wheel kit gear housing	41100287
30	Belt wheel kit motor	41100728
31	Belt	41100291
32	Belt extension kit	41100290
33	Belt cover kit	41100749
34	Motor support	41100250
35	Cable bracket kit	41100729
38	Thruster oil 0,25l/8.4 Oz	41100129
39	Oil container kit	41100659
40	Circuit card	41100658
41	Oil plug gasket	41100275
	Motor brush kit 24 V	41100609
	Fan Cover	41100612



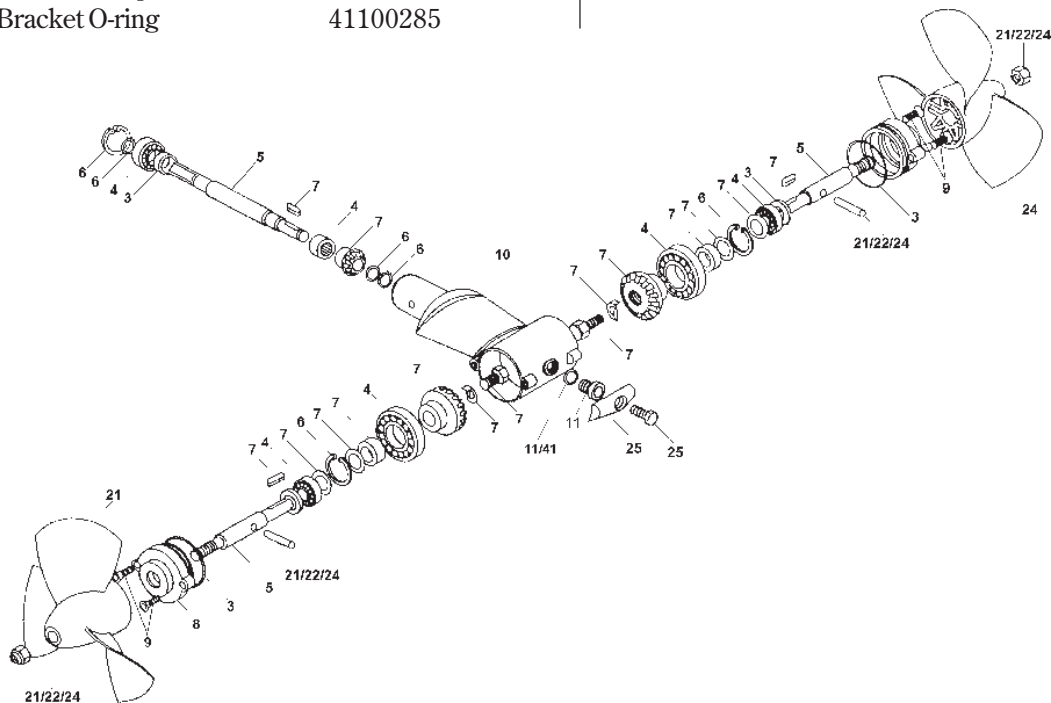


### Spare parts BP1300



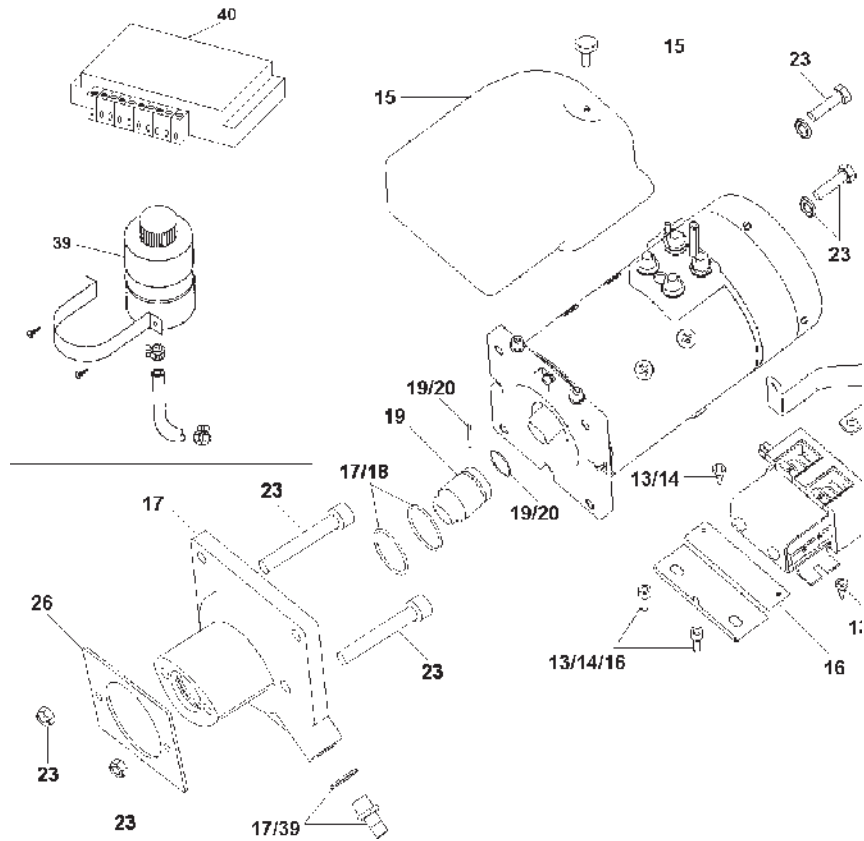
Pos	Description	Part no
2	Motor 24 V	41100742
3	Sealing kit	41100716
4	Bearing kit	41100717
5	Shaft kit	41100733
6	Circlip kit	41100720
7	Drive kit	41100734
8	Gear housing flange kit	41100722
9	Screw kit flange	41100721
10	Gear housing	41100308
11	Oil plug kit	41100274
12	Gear housing complete	41100735
14	Relay 24 V	41100723
15	Relay Cover	41100724
16	Relay bracket	41100725
17	Bracket compl	41100741
18	Bracket O-ring	41100285

Pos	Description	Part no
19	Coupling kit	41100736
20	Driver kit (coupling)	41100737
21	Propeller kit RH	41100730
22	Driver pin kit (propeller)	41100732
23	Screw kit motor/ gear housing/bracket	41100739
24	Propeller kit LH	41100731
25	Zinc anode kit	41100276
35	Cable bracket kit	41100729
38	Thruster oil 0,25 l/8.4 Oz	41100129
39	Oil container kit	41100659
40	Circuit card	41100658
41	Oil plug gasket	41100275
	Motor brush kit 24 V	41100609
	Fan Cover	41100612



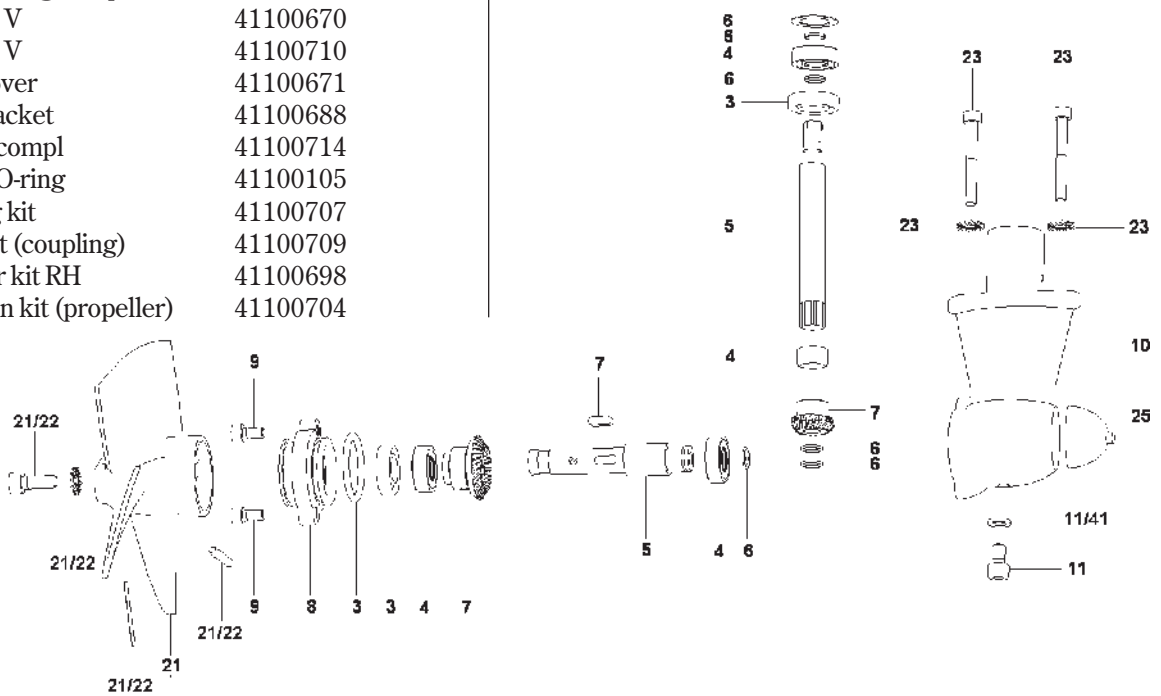


*Spare parts SP600*

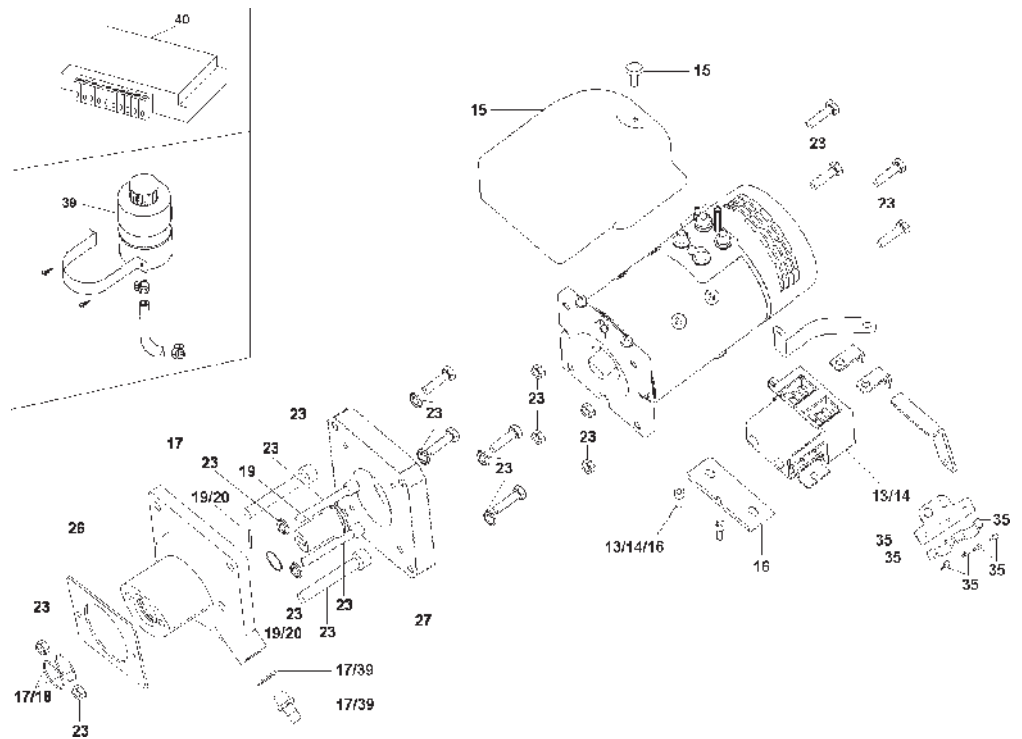


Pos	Description	Part no
1	Motor 12 V	41100705
2	Motor 24 V	41100706
3	Sealing kit	41100690
4	Bearing kit	41100691
5	Shaft kit	41100692
6	Circlip kit	41100693
7	Drive kit	41100694
8	Gear housing flange kit	41100695
9	Screw kit flange	41100265
10	Gear housing	41100696
11	Oil plug kit	41100356
12	Gear housing complete	41100697
13	Relay 12 V	41100670
14	Relay 24 V	41100710
15	Relay Cover	41100671
16	Relay bracket	41100688
17	Bracket compl	41100714
18	Bracket O-ring	41100105
19	Coupling kit	41100707
20	Driver kit (coupling)	41100709
21	Propeller kit RH	41100698
22	Driver pin kit (propeller)	41100704

Pos	Description	Part no
23	Screw kit motor/ gear housing/bracket	41100713
25	Zinc anode kit	41100098
26	Outside plate SP	41100494
28	Tunnel SP	41100492
38	Thruster oil 0,25 l/8.4 Oz	41100129
39	Oil container kit	41100659
40	Circuit card	41100658
41	Oil plug gasket	41100760
	Motor brush kit 12 V	41100610
	Motor brush kit 24 V	41100615
	Temperature sensor	41100618

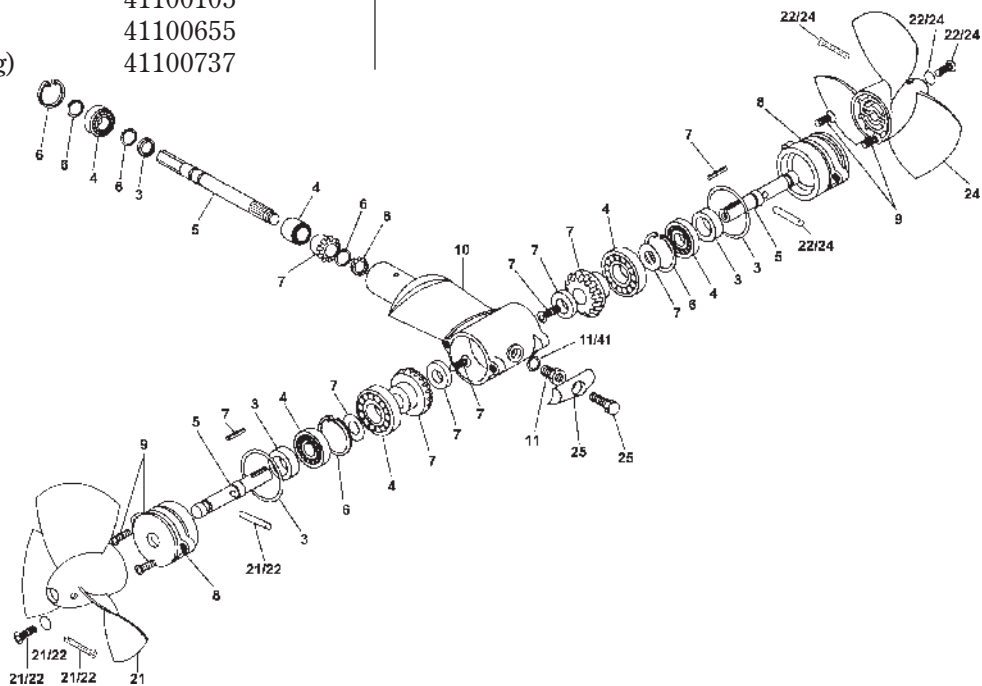


Spare parts SP900



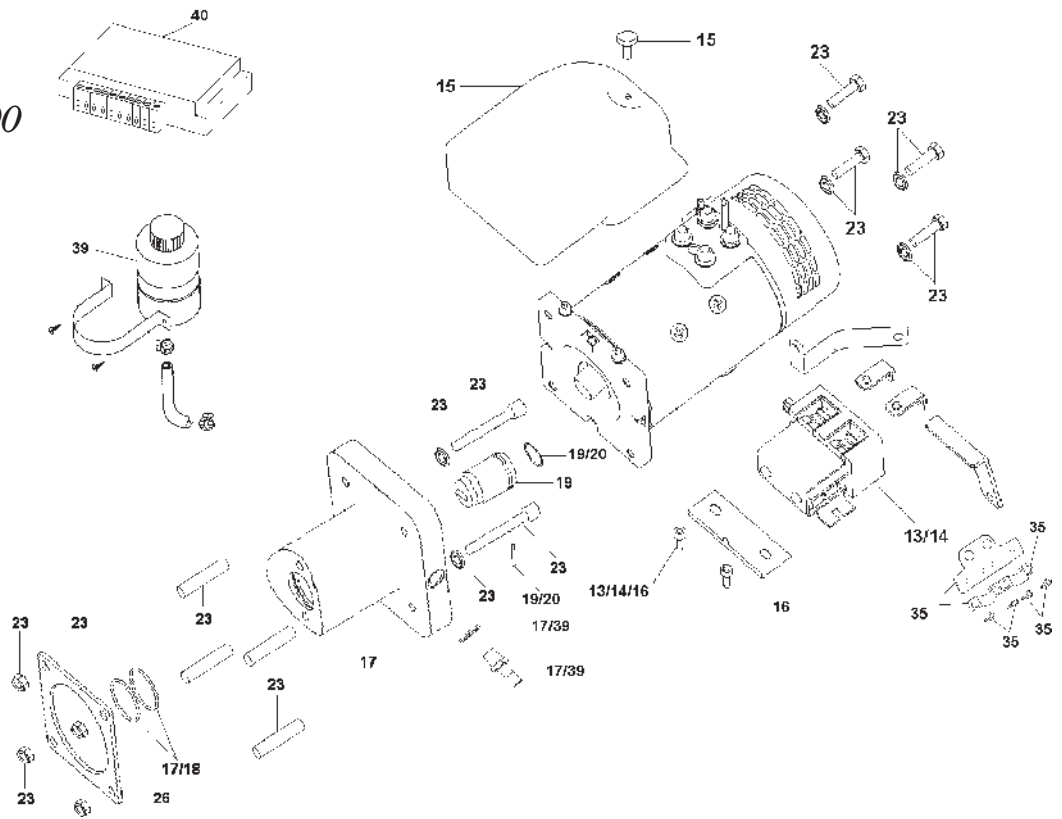
Pos	Description	Part no
1	Motor 12 V	41100647
2	Motor 24 V	41100648
3	Sealing kit	41100637
4	Bearing kit	41100638
5	Shaft kit	41100639
6	Circlip kit	41100641
7	Drive kit	41100643
8	Gear housing flange kit	41100478
9	Screw kit flange	41100265
10	Gear housing	41100644
11	Oil plug kit	41100274
12	Gear housing complete	41100646
13	Relay 12 V	41100649
14	Relay 24 V	41100723
15	Relay Cover	41100724
16	Relay bracket	41100725
17	Bracket compl	41100714
18	Bracket O-ring	41100105
19	Coupling kit	41100655
20	Driver kit (coupling)	41100737

Pos	Description	Part no
21	Propeller kit RH	41100698
22	Driver pin kit (propeller)	41100704
23	Screw kit motor/ gear housing/bracket	41100657
24	Propeller kit LH	41100699
25	Zinc anode kit	41100276
26	Outside plate SP	41100494
27	Intermediate flange	41100490
28	Tunnel SP	41100492
35	Cable bracket kit	41100729
38	Thruster oil 0,25 l/8.4 Oz	41100129
39	Oil container kit	41100659
40	Circuit card	41100658
41	Oil plug gasket	41100275
	Motor brush kit 12 V	41100616
	Motor brush kit 24 V	41100609
	Fan Cover	41100612



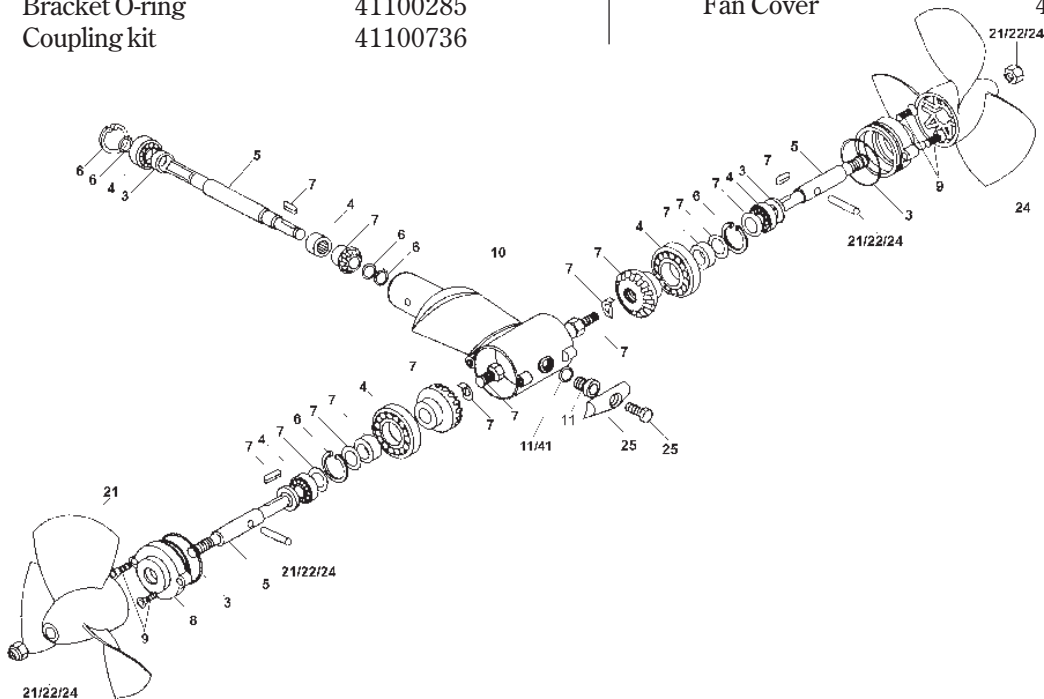


Spare parts SP1300

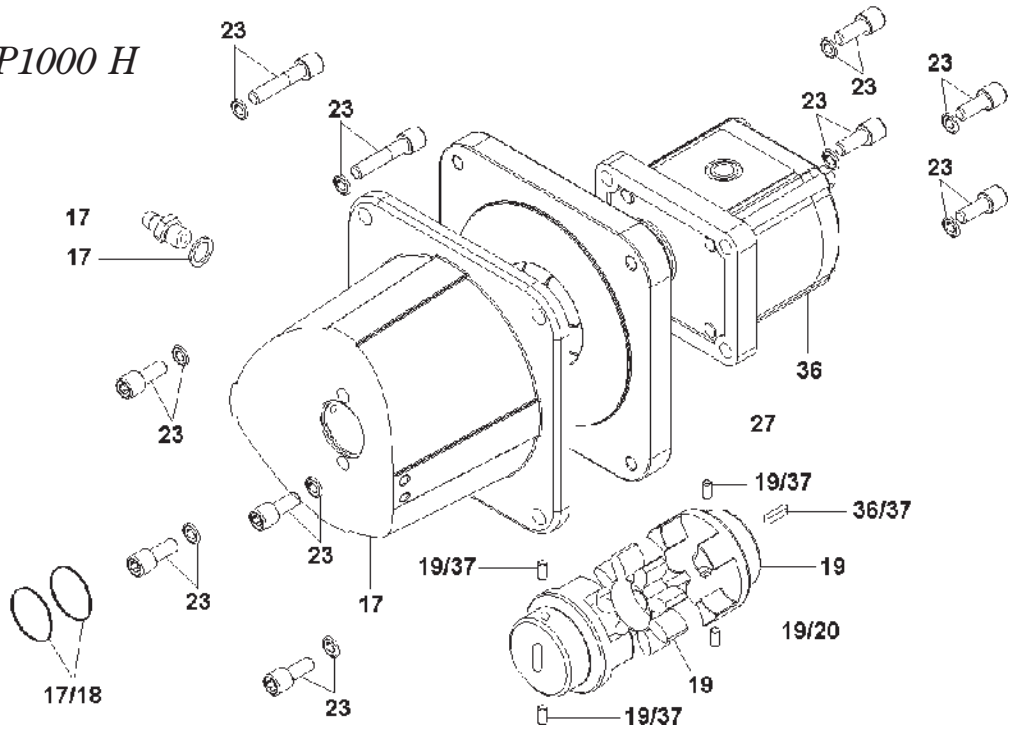


Pos	Description	Part no
2	Motor 24 V	41100656
3	Sealing kit	41100716
4	Bearing kit	41100717
5	Shaft kit	41100733
6	Circlip kit	41100720
7	Drive kit	41100734
8	Gear housing flange kit	41100722
9	Screw kit flange	41100721
10	Gear housing	41100308
11	Oil plug kit	41100274
12	Gear housing complete	41100735
14	Relay 24 V	41100723
15	Relay Cover	41100724
16	Relay bracket	41100725
17	Bracket compl	41100740
18	Bracket O-ring	41100285
19	Coupling kit	41100736

Pos	Description	Part no
20	Driver kit (coupling)	41100737
21	Propeller kit RH	41100730
22	Driver pin kit (propeller)	41100732
23	Screw kit motor/ gear housing/bracket	41100738
24	Propeller kit LH	41100731
25	Zinc anode kit	41100276
26	Outside plate SP	41100537
28	Tunnel SP	41100534
35	Cable bracket kit	41100729
38	Thruster oil 0,25 l/8.4 Oz	41100129
39	Oil container kit	41100659
40	Circuit card	41100658
41	Oil plug gasket	41100275
	Motor brush kit 24 V	41100609
	Fan Cover	41100612

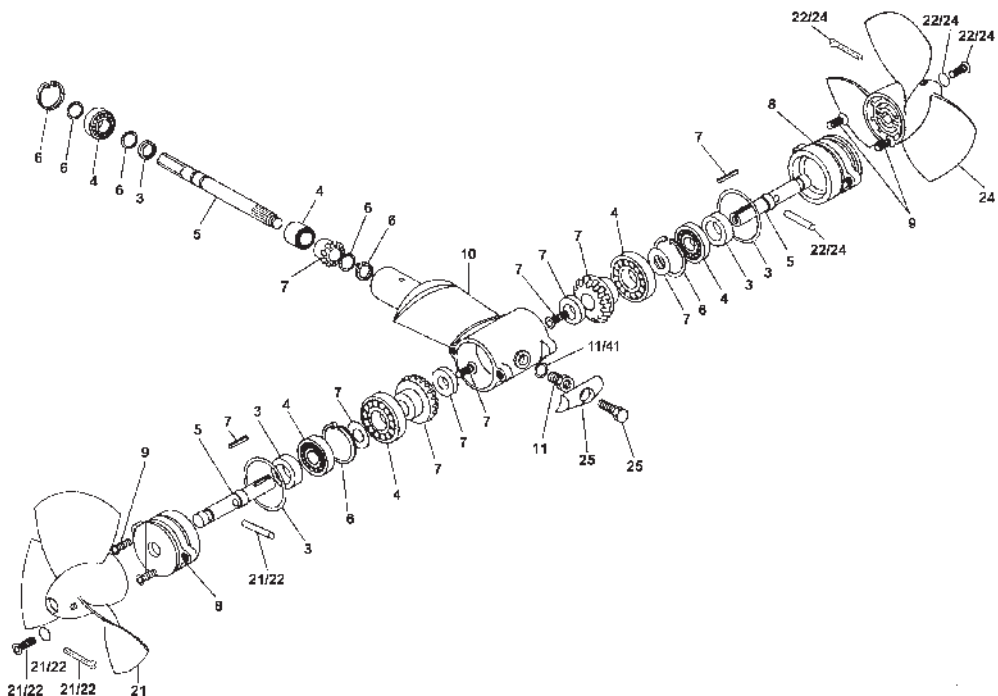


*Spare parts BP1000 H*



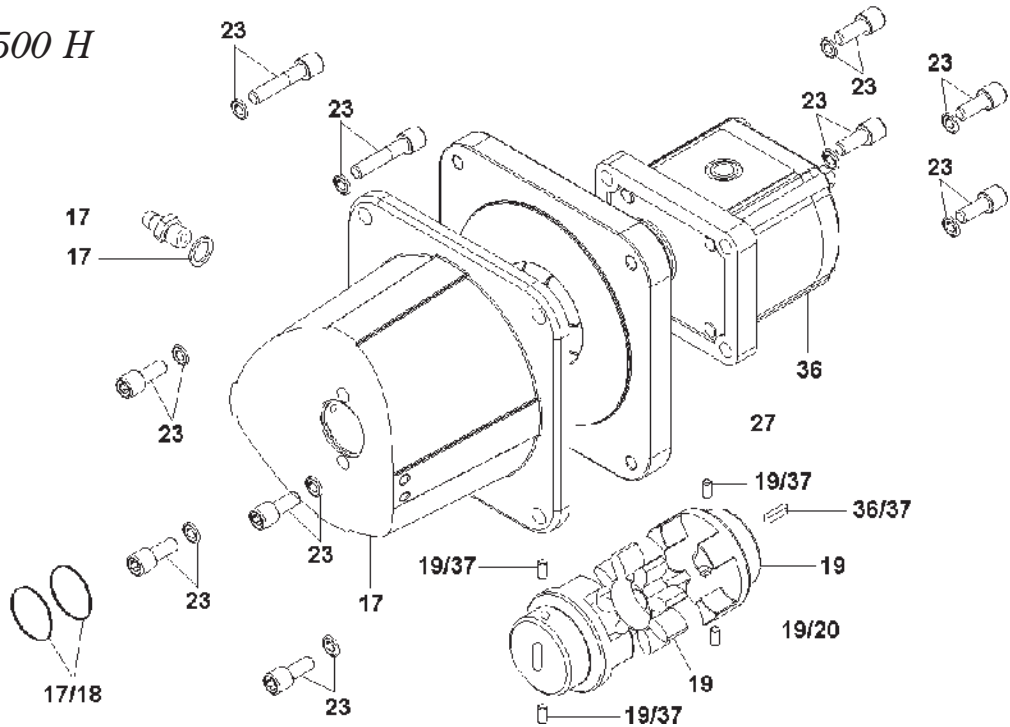
Pos	Description	Part no
3	Sealing kit	41100637
4	Bearing kit	41100638
5	Shaft kit	41100639
6	Circlip kit	41100641
7	Drive kit	41100643
8	Gear housing flange kit	41100478
9	Screw kit flange	41100265
10	Gear housing	41100644
11	Oil plug kit	41100274
12	Gear housing complete	41100646
17	Bracket compl	41100654
18	Bracket O-ring	41100105
19	Coupling kit	44400751

Pos	Description	Part no
20	Driver kit (coupling)	41100750
21	Propeller kit RH	41100698
22	Driver pin kit (propeller)	41100704
23	Screw kit motor/ gear housing/bracket	41100753
24	Propeller kit LH	41100699
25	Zinc anode kit	41100276
27	Intermediate flange	41100755
36	Motor Hydraulic	41100756
37	Key / Screw kit coupling	41100758
38	Thruster oil 0,25 l/8.4 Oz	41100129
39	Oil container kit	41100659
41	Oil plug gasket	41100275



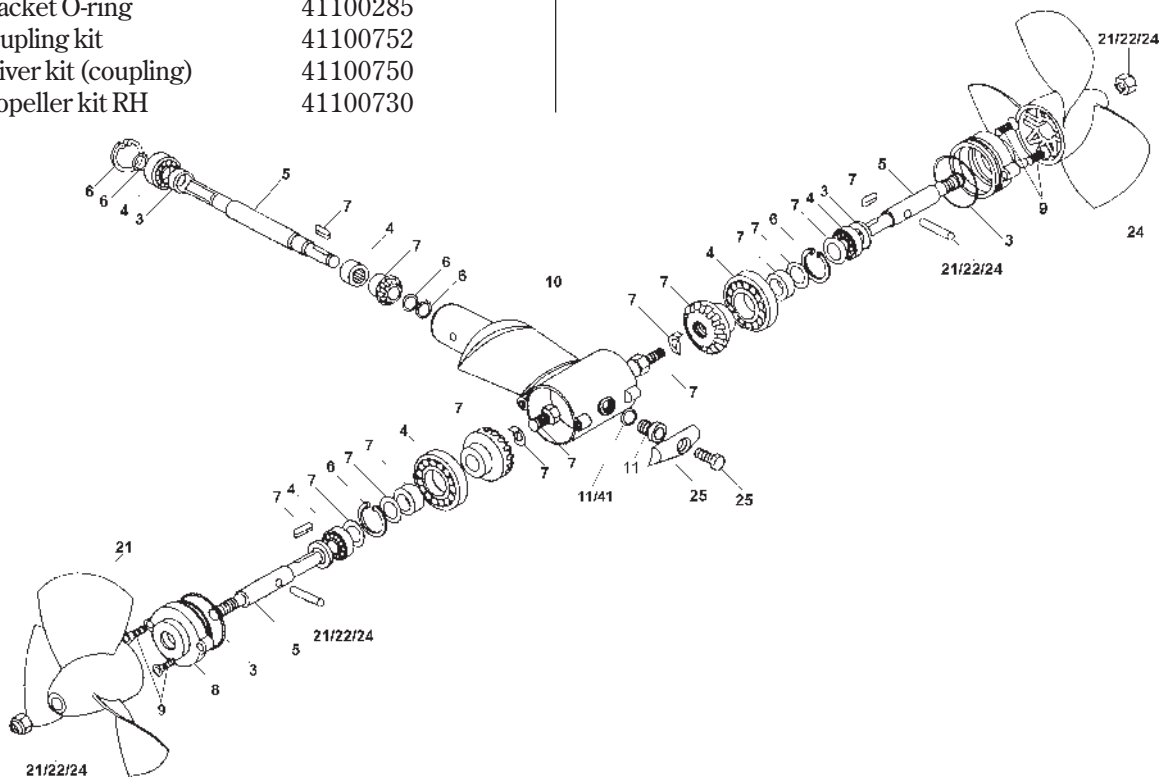


Spare parts BP1500 H



Pos	Description	Part no
3	Sealing kit	41100716
4	Bearing kit	41100717
5	Shaft kit	41100733
6	Circlip kit	41100720
7	Drive kit	41100734
8	Gear housing flange kit	41100722
9	Screw kit flange	41100721
10	Gear housing	41100308
11	Oil plug kit	41100274
12	Gear housing complete	41100735
17	Bracket compl	41100741
18	Bracket O-ring	41100285
19	Coupling kit	41100752
20	Driver kit (coupling)	41100750
21	Propeller kit RH	41100730

Pos	Description	Part no
22	Driver pin kit (propeller)	41100732
23	Screw kit motor/ gear housing/bracket	41100754
24	Propeller kit LH	41100731
25	Zinc anode kit	41100276
27	Intermediate flange	41100755
36	Motor Hydraulic	41100757
37	Key / Screw kit coupling	41100758
38	Thruster oil 0,25l/8.4 Oz	41100129
39	Oil container kit	41100659
41	Oil plug gasket	41100275





# QL WATER HEATER PROGRAMME



## Water heaters

Volume	Dia x length	Weight kg	Heating element	Part no 220 V	Part no 110 V
201/ 5,3 US gal	355 x 410 mm	9	800W	41103500	41103511
301/ 8 US gal	355 x 560 mm	12	800W	41103516	41103517
401/ 10,5 US gal	355 x 670 mm	13	800W	41103501	41103512
601/ 15,9 US gal	355 x 900 mm	16	800W	41103502	41103513

## Accessories

	Part no
50% Power reducer	41103503
1500W/220V heating element	41103504
1500W/110V heating element	41103514
Thermostatic mixing valve kit	41103505
Magnetic scale remover	41103506
2 x 1/2" x 16 mm hose fitting kit	41103507

## Spare parts

800W/220V heating element	41103508
800W/110V heating element	41103515
Thermostat	41103509
Safety valve	41103510



Thermostatic mixing valve kit





# QL DECONTAMINATORS



## *Fuel decontaminator units*

	<b>Capacity</b>		<b>Connection</b>	<b>Part no</b>
DC140	Max 140 l/h	< 37 US gal/h	1/4" NPT	41103600
DC500	140 – 500 l/h	37 – 132 US gal/h	1/2" NPT	41103601
DC1000	500 – 1000 l/h	132 – 264 US gal/h	1/2" NPT	41103602

## **Connections**

		<b>Qty</b>	<b>Part no</b>
DC140	2 nipples 1/4" NPT for 5/16" fuel hose included. Connection to 3/8" fuel hose	2	834781
DC500 / 1000	Connection to 5/16" fuel hose	2	479954
		2	855207
DC500 / 1000	Connection to 3/8" fuel hose	2	479954
		2	834781

## *Spare parts*

		<b>Part no</b>
Sealing ring	DC140	41103603
Sealing ring	DC500	41103604
Sealing ring	DC1000	41103605



# QL AIR HEATERS



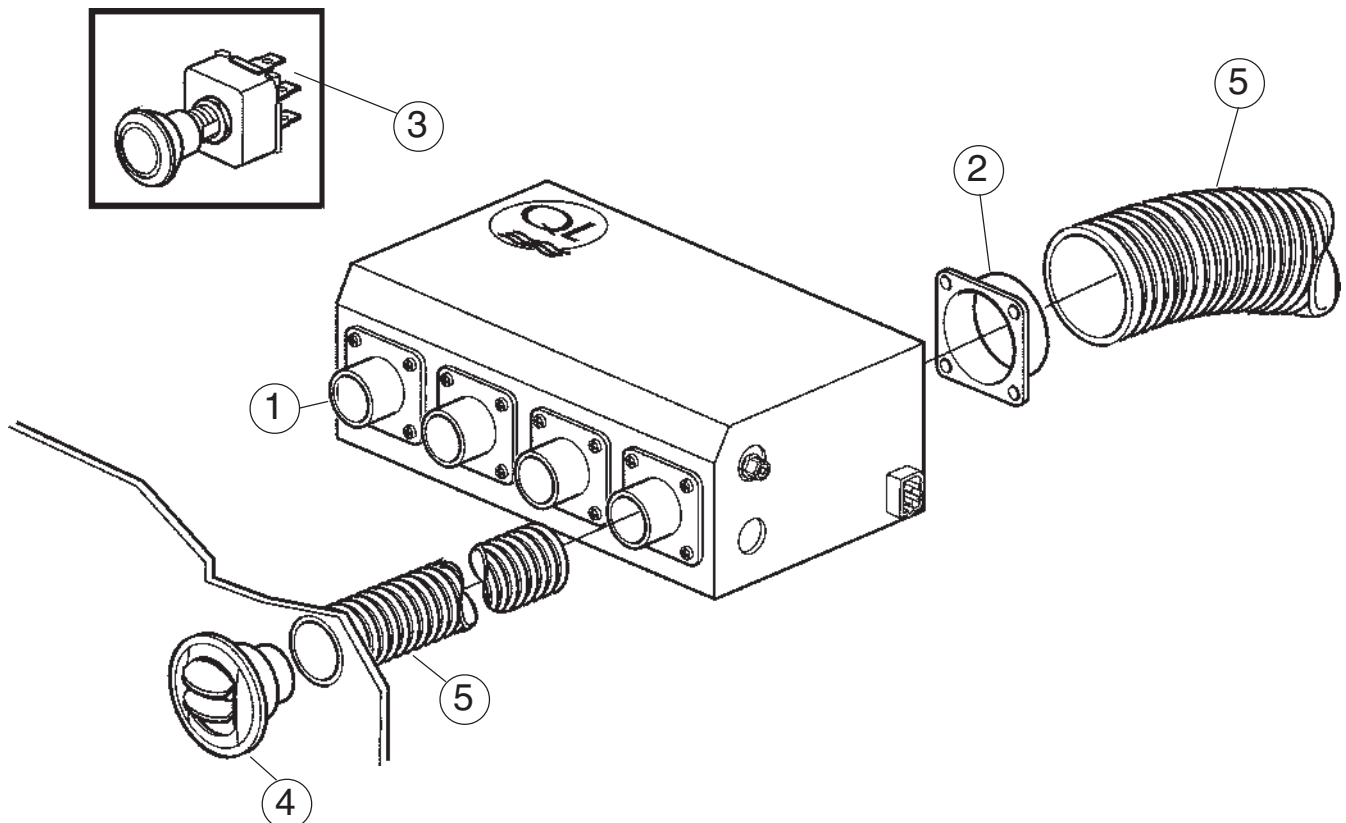
Effect	Volt	Capacity	Dimensions mm/in	Air outlet diam	Hose union	Part no
5 kW	12 V	330 m3/h 17000 BTU/h	230 x 160 x 236/9 x 6.3 x 9.3	55 mm/2.2 in	16 mm/0.6 in	41103301
5 kW	24 V	330 m3/h 17000 BTU/h	230 x 160 x 236/9 x 6.3 x 9.3	55 mm/2.2 in	16 mm/0.6 in	41103303
10 kW	12 V	550 m3/h 34000 BTU/h	370 x 160 x 236/14.5 x 6.3 x 9.4	55 mm/2.2 in	16 mm/0.6 in	41103300
10 kW	24 V	550 m3/h 34000 BTU/h	370 x 160 x 236/14.5 x 6.3 x 9.4	55 mm/2.2 in	16 mm/0.6 in	41103302
10 kW	12 V	550 m3/h 34000 BTU/h	370 x 160 x 236/14.5 x 6.3 x 9.4	60 mm/2.4 in	16 mm/0.6 in	41103324

## Accessories

Pos	Description	Diam	Part no
1	Hose union kit	50 mm/2.0 in	41103304
	"	60 mm/2.4 in	41103305
2	Hose unit kit air inlet	80 mm/3.1 in	41103306
3	Control switch		41103307
4	Adjustable nozzle	50 mm/2.0 in	41103312
		55 mm/2.2 in	41103313
		60 mm/2.4 in	41103308
5	Air hose	50 mm/2.0 in	41103309
	order by meter	55 mm/2.2 in	41103314
		60 mm/2.4 in	41103310
		80 mm/3.1 in	41103311
	Y-connection	55 mm/2.2 in	41103326
		60 mm/2.4 in	41103325

## Spare Parts

Description	Type	Part no
Heating element	5 kW	41103318
Heating element	10 kW	41103319
Fan 12 V	5 kW	41103320
Fan 12 V	10 kW	41103321
Fan 24 V	5 kW	41103322
Fan 24 V	10 kW	41103323





# QL NAVIGATION EQUIPMENT



QL Multi Display

**Part no**  
41103713



GPS-antenna

## Accessories

GPS antenna	41103700
Electronic compass	41103701
Speed / temp sensor	41103705
Depth sensor	41103703
Interface for speed/depth	41103702
Wind speed sensor	41103711
Trunnion mount	41103706
Speed/depth/temp sensor (transom mount)	41103712
Network cable 0,5 m/1.6 ft	41103707
Network cable 5 m/16.4 ft	41103708
Network cable 10 m/32.8 ft	41103709
Cable clamp	41103710



Electronic compass



Depth sensor



Wind speed sensor



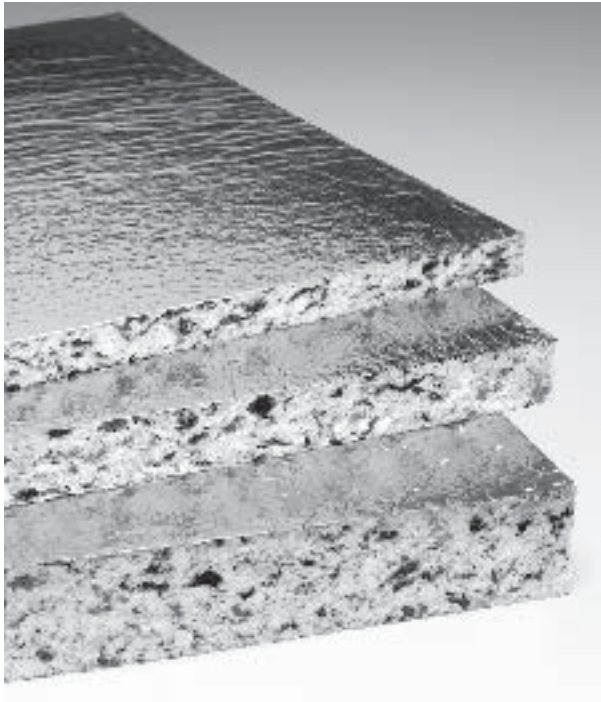
Speed / temp sensor



Interface for speed/depth



# QL SOUND ABSORBANTS



**Material:** Recycled polyurethane foam  
**Density:** 100 kgs/m<sup>3</sup> 6.24 lb/ft<sup>3</sup>  
**Protection film:** Aluminium foil  
**Fire proof reg:** ISO3795 (FMVSS302)  
**Temperature resistance:** 200°C/390°F  
**Oxygen index:** 24 % according to ASTM D2863-91  
**Size:** 1000 x 500 mm/  
 39.1 x 19.6 in

Product	Thickness		Part no
Sound absorbtion sheet	20 mm/0.8 in	Non-adhesive	41103800
	30 mm/1.2 in	Non-adhesive	41103801
	50 mm/2.0 in	Non-adhesive	41103802
	20 mm/0.8 in	Self-adhesive	41103803
	30 mm/1.2 in	Self-adhesive	41103804
	50 mm/2.0 in	Self-adhesive	41103805
Aluminium foil tape	5 m roll/16.4 ft	Self-adhesive	41103806
	50 m roll/164 ft	Self-adhesive	41103807

# QL WINDLASS

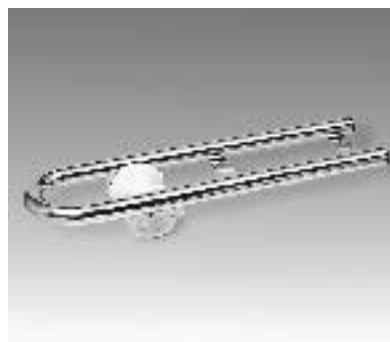


**Windlass kit**

Effect	Volt	Thrust	Windspeed	Part no
1000W	12 V	350 kg	25 m/min	41100501

*Accessories*

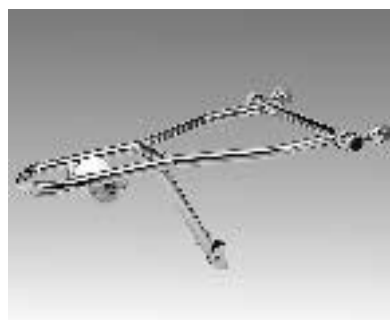
	Part no
Anchor holder (bathing platform)	41100504
Anchor holder (transom)	41100503
Anchor holder (Bruce type anchor)	41100532
Control Panel	41100531
Control Cable (7 m) 23 ft	41100525
Remote control (complete kit)	41100505
Cover	41100533
Through hull fitting (bow mounting)	41100529
Automatic fuse 100 A	41100506



*Anchor holder (bathing platform)*

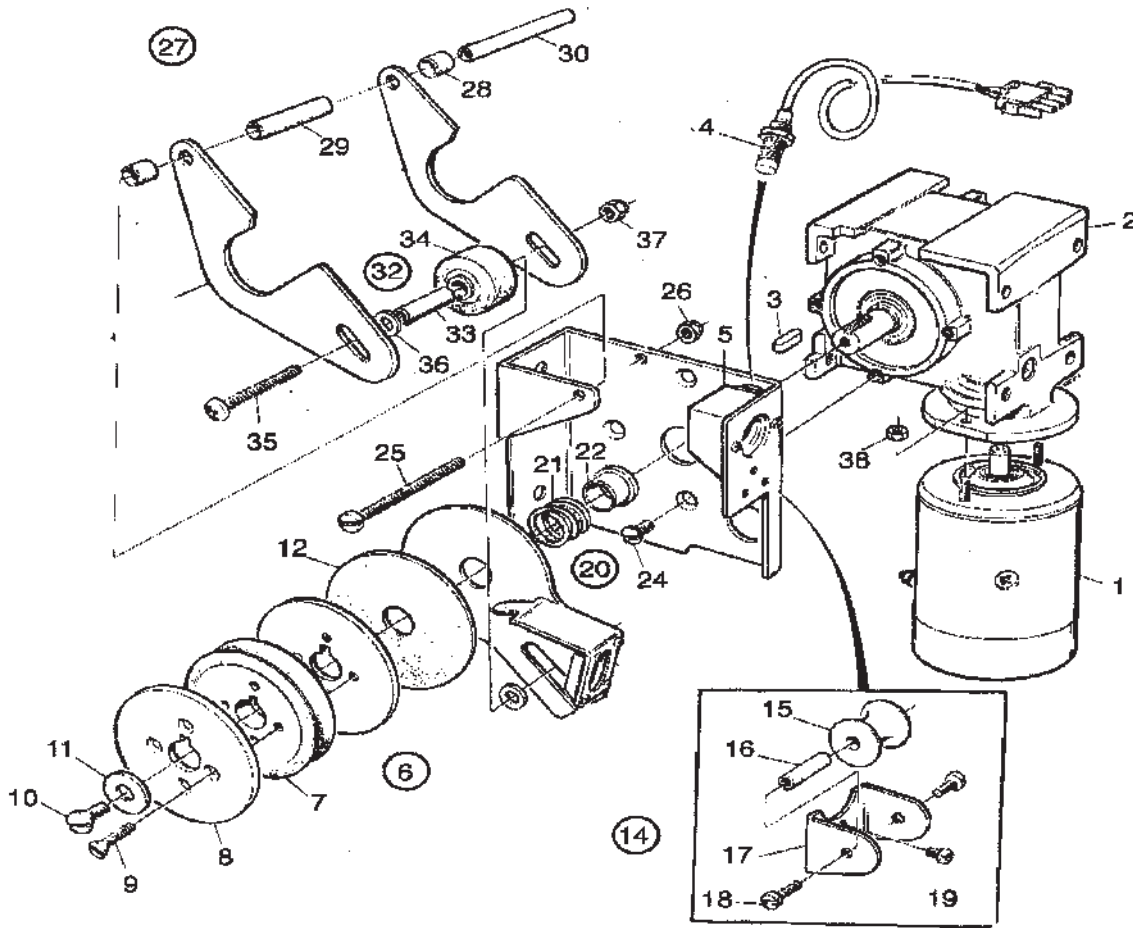


*Anchor holder (Bruce type anchor)*



*Anchor holder (transom)*

Spare parts



Pos	Qty	Description	Part no	Pos	Qty	Description	Part no
1	1	Electric motor 1000 W, 12 V DC	41100523	20	1	Pressure spring with bushing	41100514
2	1	Gear 53:1	41100526	21	1	• Spring	
3	1	Wedge 8 x 22	41100508	22	1	• Bushing	
4	1	Transducer for auto stop	41100509	24	4	Screw	M8 x 16 963A4
5	1	Guiding block for transducer	41100527	25	1	Screw	M6 x 70 7985A4
6	1	Drive wheel assembly	41100510	26	1	Nut	M6
7	1	• Drive wheel	41100511	27	1	Distance tubes	41100513
8	2	• Side plate		28	2	• Distance tubes	
9	4	• Screw		29	1	• Distance tube	
10	1	Screw	M6 x 16 964A4	30	1	• Distance tube	
11	1	Washer	M8 x 30 9021A4	32	1	Pressure roll kit	41100512
12	1	Disc	41100515	33	1	• Bushing	
14	1	Organiser for outside mounting assembly	41100528	34	1	• Wheel	
15	1	• Roll		35	1	Screw	M6 x 47 7985A4
16	1	• Bushing		36	2	Washer	8,4 x 15 433A4
17	1	• Mount		37	1	Nut	M6 Nylock
18	2	• Screw	M6 x 10 7985A4	38	2	Nut	M6
19	3	• Screw	M5 x 6 84A4	1	1	Remote control (spare part)	41100522
				1	1	Relay box	41100524



# QL TRIM TABS PROGRAMME



## QL Standard complete pump kit

Description	Part no
Pump kit, 12 V, 2 cyl.	41102000
Pump kit, 24 V, 2 cyl.	41102001
Pump kit, 12 V, 4 cyl.	41102002
Pump kit, 24 V, 4 cyl.	41102003

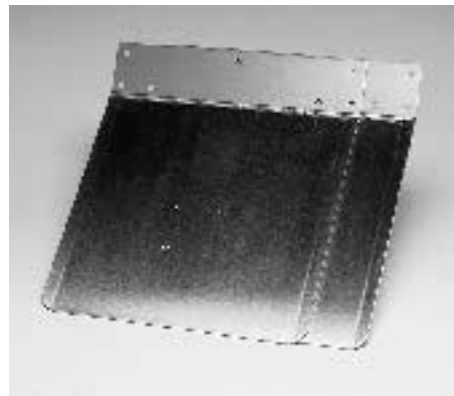


## QL High Performance complete pump kit

Description	Part no
Pump kit, 12 V, 2 cyl, black instrument	41102101
Pump kit, 24 V, 2 cyl, black instrument	41102102
Pump kit, 12 V, 4 cyl, black instrument	41102103
Pump kit, 24 V, 4 cyl, black instrument	41102104
Pump kit, 12 V, 2 cyl, white instrument	41102108
Pump kit, 24 V, 2 cyl, white instrument	41102109
Pump kit, 12 V, 4 cyl, white instrument	41102110
Pump kit, 24 V, 4 cyl, white instrument	41102111

## QL Trim tabs

Tab size	Part no	No of cyl/tab
7,5" x 11" Speed tabs	41102112	1
9" x 14" Speed tabs	41102113	1
10" x 8"	41102004	1
12" x 8"	41102005	1
12" x 11"	41102006	1
14" x 11"	41102007	1
18" x 11"	41102008	1
24" x 11"	41102009	1
30" x 10"	41102105	1
30" x 10"	41102010	2
36" x 8"	41102106	1
36" x 8"	41102011	2
40" x 8"	41102107	1
40" x 8"	41102012	2
46" x 8"	41102013	2
50" x 8"	41102014	2
55" x 8"	41102015	2
60" x 8"	41102016	2



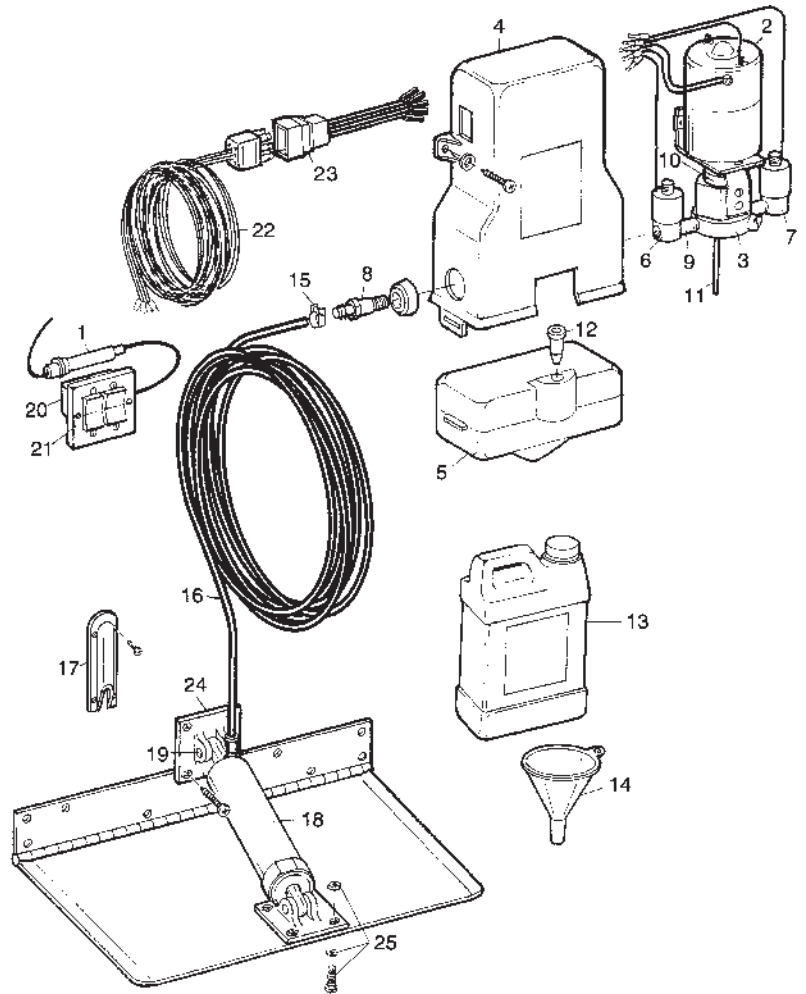
## QL Tablocator kit

Description	Part no
Tablocator kit, 8 m cable, black instrument	41102083
Tablocator kit, 8 m cable, white instrument	41102084
Instrument and cables for flybridge, 6 m cable, black	41102085
Instrument and cables for flybridge, 6 m cable, white	41102086
Harness for flybridge control	41102052
Extension wire, 2 m	41102067
Extension wire, 4 m	41102068
Complete set of switches with cover for flybridge	41102046



*Spare parts for Trim tabs 1998 —>*

Pos	Description	Part no
	Pump unit, 12 V, complete, 2 cyl.	41102017
	Pump unit, 24 V, complete, 2 cyl.	41102019
1	20 Amps fuse with wire	41102047
2	El. motor 12 V	41102021
2	El. motor 24 V	41102022
3	Hydraulic pump with pressure relief valve	41102023
4	Outside housing without oil tank	41102024
5	Oil tank	41102025
7	Solenoid valve 12 V	41102027
7	Solenoid valve 24 V	41102029
8 & 9	Hose connection kit	41102125
	Brass nipple for dubble cylinders	41102032
10	Coupling motor to shaft	41102033
11	Oil sump tube	41102034
12	Oil tank plug	41102035
13	Hydraulic Oil	41102100
14	Funnel	41102037
15	Hose clamp	41102039
16	Hydraulic hose	41102040
17	Hose trims with screws	41102041
18	Hydraulic cylinder with hose 2.2 m	41102042
19	Cylinder pins	41102044
20	Complete set of switches	41102045
21	Switchplate for water resistant cover	41102048
22	Harness, switch to pump, 40 feet	41102051
23	Female wire receptacle	41102053
24	Nylon cylinder bracket	41102054
25	Screw and bolt kit	41102055
	Brace for instrument incl hexnut	41102121
	Flybridge cable incl connectors	41102064
	Female cable connector	41102065
	Pin plug connector	41102066
	Outside sensor compl, brace, 8 m cable	41102122
	Inside indicator sensor	41102072
	Kit for mounting of new pump on old cylinders	41102073
	Sealing kit for trim cylinder std	41102082
	Tablocator instrument, black	41102060
	Tablocator instrument, white	41102061



**Spare Parts High Performance trim tabs**

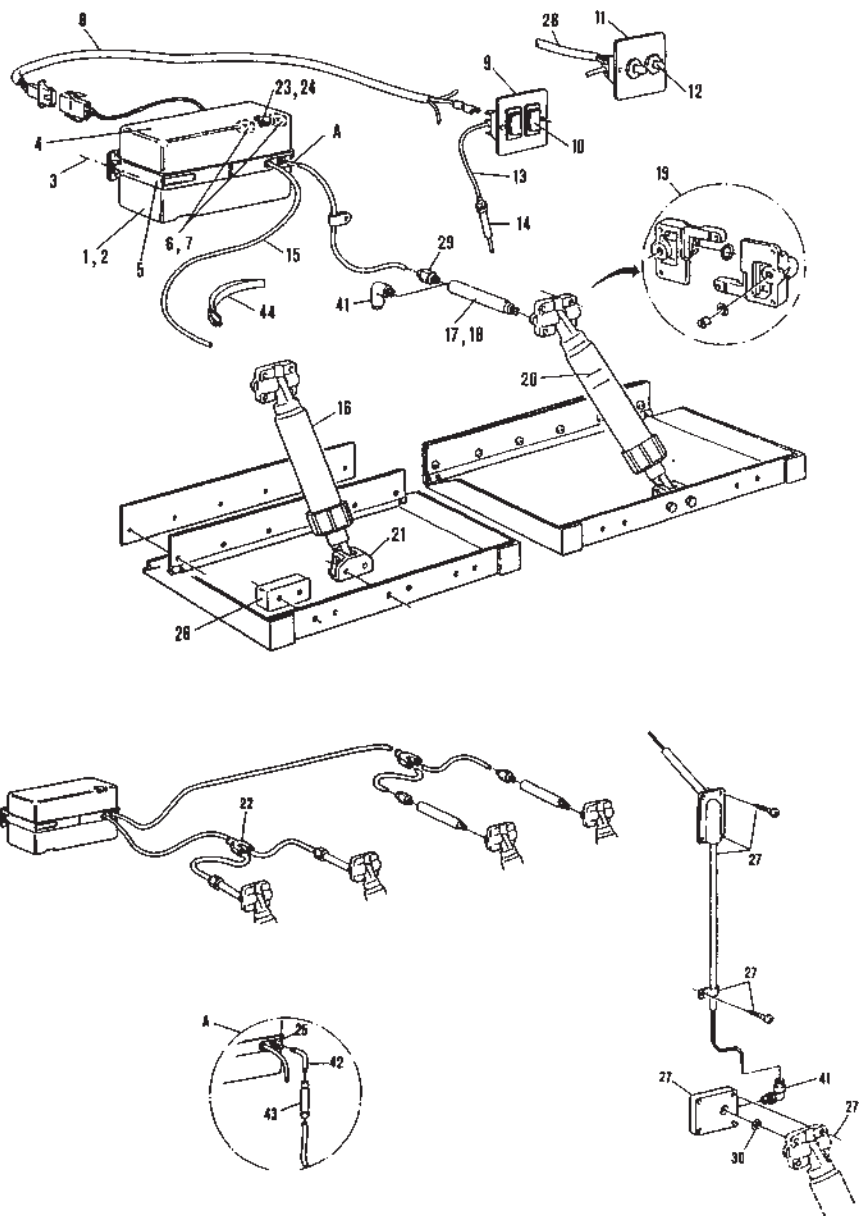
Part no	Description
41102114	Cylinder complete
41102115	Hose connection
41102116	Spring stainless
41102123	Sealing kit
41102124	Bracket complete incl pin

**Spare Parts New Tablocator kit (see page 25)**

Part no	Description
41102089	Extension cable, 2 m outer
41102090	Extension cable, 4 m inner
41102091	Extension cable, 8 m inner
41102094	Inner tabloc sensor
41102095	Outer tabloc sensor, compl with brace and cable
41102096	3 way connection
41102097	Flybridge cable incl y connection
41102098	Instrument black incl daylight sensor
41102099	Instrument white incl daylight sensor

## Spare parts for Trim tabs 1996 —&gt; 1997

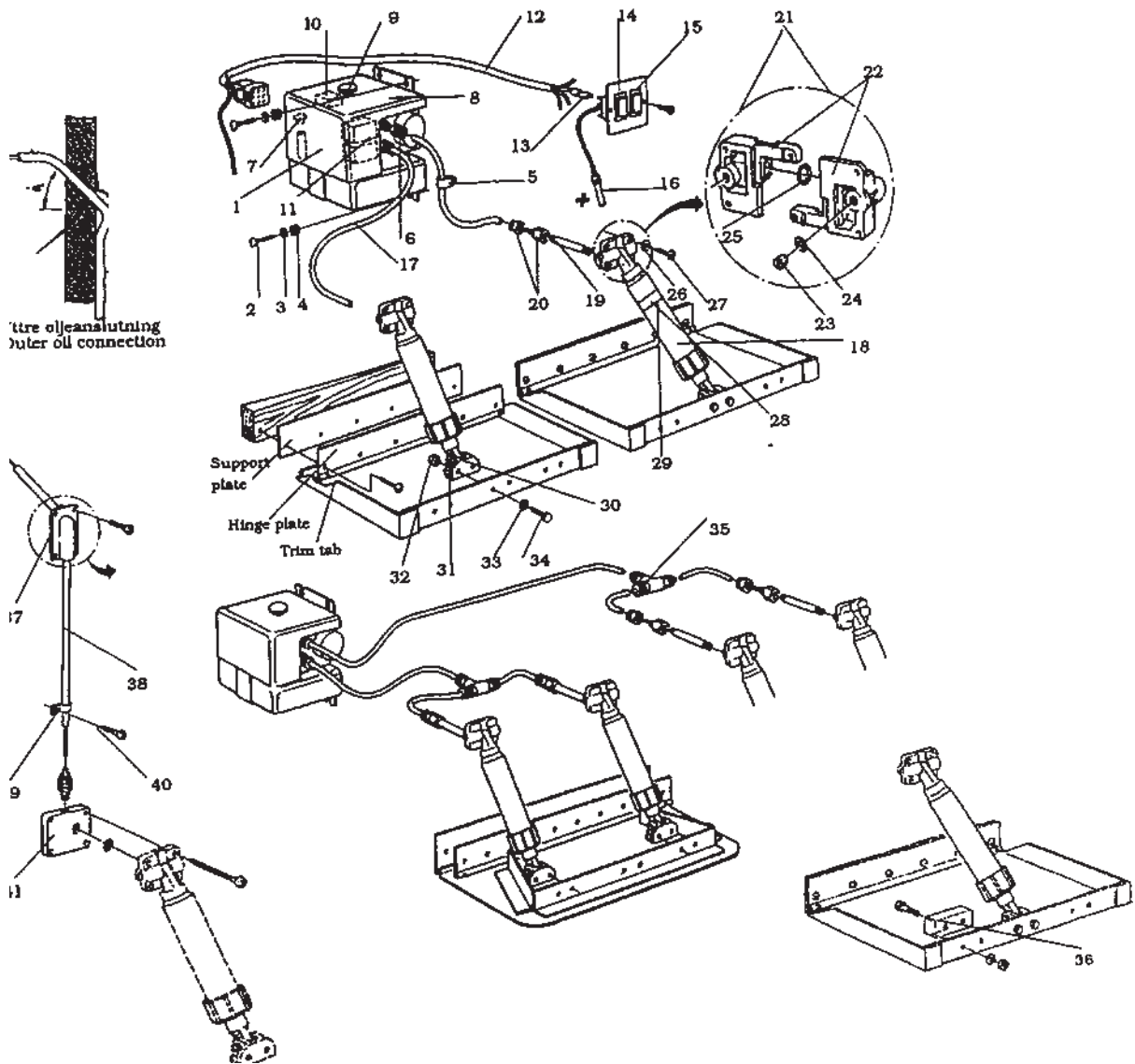
Pos	Qty	Description	Part no
4	1	Pump cover	41100321
5	1	Attaching brace	41100322
6	1	Exchange kit solenoid valve 12V	41100323
7	1	Exchange kit solenoid valve 24V	41100324
8	1	Cable block L=7m, 23 ft	
	4	• Flatpin connector	41100329
9	1	Control Panel	41100325
10	1	Toggle switch	41100345
11	1	Control Panel Flybridge	41100327
12	1	Rubbercovered toggleswitch	41100328
	1	Fuse kit	41100072
14	2	• Fuse 20 Amp	
15	1	Hydraulic hose L=6m black, 19.7 ft	41100330
16	1	Cylinder compl	41100090
19	1	Connection kit for cylinder	41100183
	2	• Cylinder anchorage	
	1	• Plug	
	1	• O-ring 4,3 x 2,4	
	2	• O-ring 11,3 x 2,4	
	4	• Washer	
	4	• Screw	
20	1	Sealing kit, cylinder	41100198
	1	• O-ring	
	1	• Sleeve	
21	1	Piston anchorage	41100199
	1	• Locking pin	
	2	• Nut	
	2	• Washer	
	2	• Screw	
22	2	Y-connection	41100335
23	1	Gasket, dipstick	41100342
24	1	Dipstick	41100343
25	1	Repair kit, connection	41100344
26	1	Zinc anode kit	41100049
	2	• Zinc anode incl screw	
	1	• Fitting	
27	1	Spare parts kit for outer oil connection	41100337
	1	• Spacer	
	1	• Cover	
	1	• Protection hose	
	4	• Brace	
	8	• Screw	
	1	• Spacer	
	4	• Screw	
28	1	Cable block L=7m Flybridge 23 ft	41100338
	8	• Flatpin connector	
	5	• Cable bearer	
29	2	Connection	41100361
30	2	O-ring 12,0 x 3,0 mm	41100362
	1	QL Trim tab oil 0,91 30 Oz (env friendly)	41100252



## Spare parts for indicator kit

Qty	Description	Part no
1	Instrument	41100404
2	Bulb 12V	41100405
2	Bulb 24V	41100406
1	Cylinder incl indicator sensor	41100407
1	Amplifier for flybridge installation	41100408

## Spare parts for Trim tabs —&gt; 1995



Pos	Qty	Description	Part no
8	1	Pump cover	41100059
9	1	• Locking screw	
10	1	Relay kit 12V	41100061
	1	Relay kit 24V	41100062
11	1	Solenoid valve kit	41100064
12	1	Cable block L=7m 23 ft	41100075
13	4	• Flat pin connector	
15	1	Sealing kit	41100069
	2	• Sealing	
	1	Fuse kit	41100072
	2	• Fuse 20 Amp	
17	1	Oil hose L=6m, 19.7 ft transparent	41100080
18	1	Cylinder, complete	41100090
21	1	Cylinder anchorage kit	41100183
22	2	• Cylinder anchorage	
23	1	• Plug	
24	1	• O-ring 4,3 x 2,4	
25	2	• O-ring 11,3 x 2,4	
26	4	• Washer	
27	4	• Screw	
28	1	Piston sealing kit	41100198
	1	• O-ring	
	1	• Sleeve	

Pos	Qty	Description	Part no
30	1	Piston anchorage	41100199
	1	• Locking pin	
	2	• Nut	
	2	• Shim	
	2	• Screw	
35	1	Y-connection	41100335
36	1	Zinc anode kit	41100049
	2	• Zinc anode incl screw	
37	1	Spare parts kit outer oil connection	41100200
	1	• Cover	
	1	• Protection hose	
	4	• Clamp	
	4	• Screw	
	1	• Spacer	
	1	Flybridge cable block L=7m 23 ft	41100201
	8	• Flat pin connector	
	5	• Cable bearer	
	1	QL Trim tab oil 0,91 30 Oz (env friendly)	41100252





Marine Accessories  
by Volvo Penta