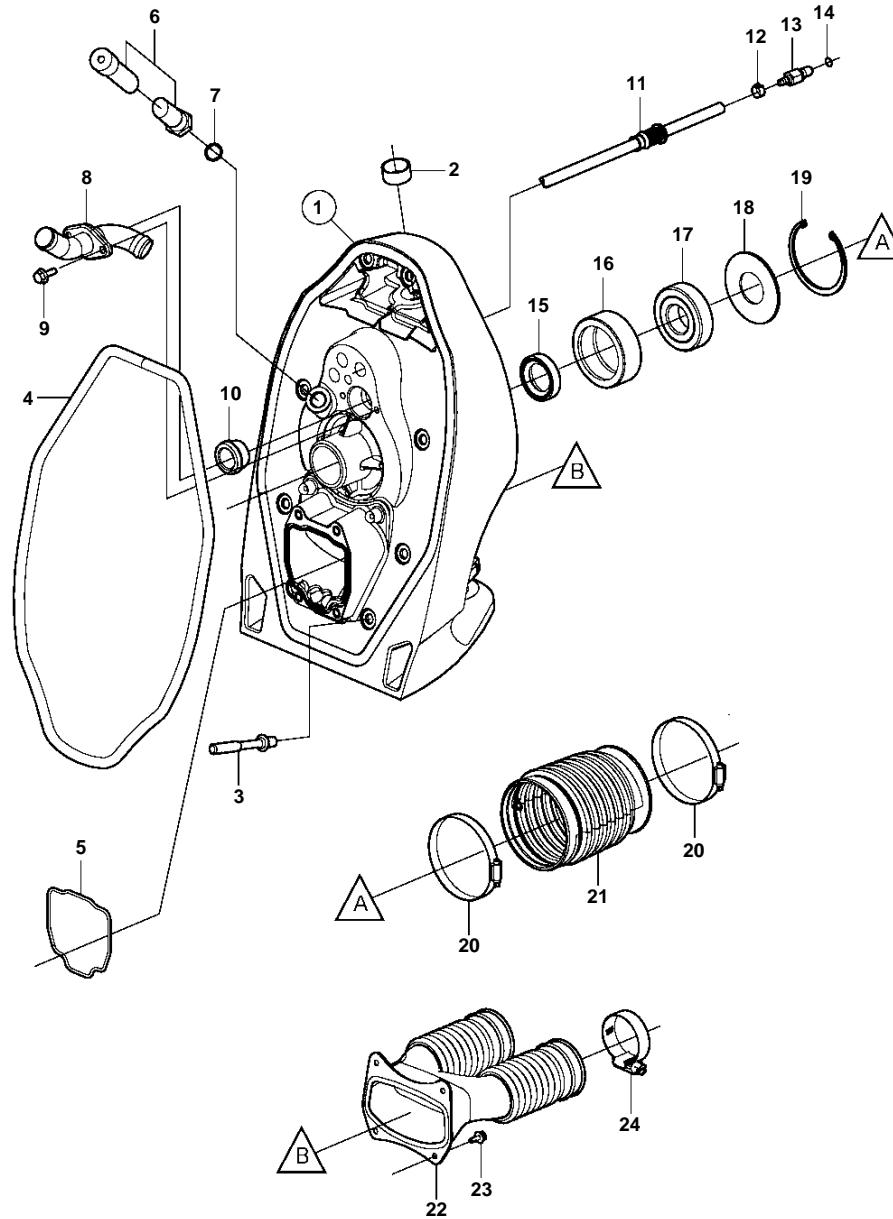


XHP-B, XHP-BLT, XXP-D3



XHP-B, XHP-BLT, XXP-D3

REF	PART NO.	QTY	DESCRIPTION	SEE SEC.	NOTES
1	3862498	1	Transom shield		
2	3860446	1	· Bearing		
3	3861840	6	· Stud		L=88mm
	3861841	2	· Stud		L=74mm
4	3860377	1	· Seal		
5	3860984	1	· Seal		
6	3856800	1	Hose, shift cable		
7	3852537	1	O-ring		
8	3862038	1	Water pipe		
9	982285	2	Flange screw		
10	3852556	1	Bushing		
11	3862289	1	Oil line	4601	
12	982713	1	· Clamp		
13	3862115	1	· Fitting		
14	942978	1	· · O-ring		
15	3852548	1	Seal		
16	3860365	1	Rubber element		
17	184860	1	Ball bearing		
18	3862067	1	Plate, Bearing		
19	3861006	1	Retaining ring		
20	853012	2	Hose clamp		
21	3860419	1	Bellows		
22	3862466	1	Exhaust bellows		
23	982283	4	Flange screw		
24	3854978	2	Clamp		