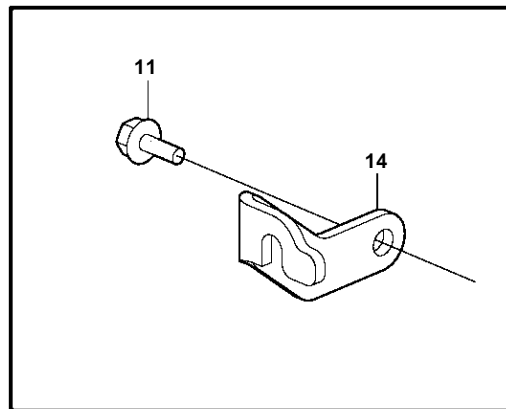
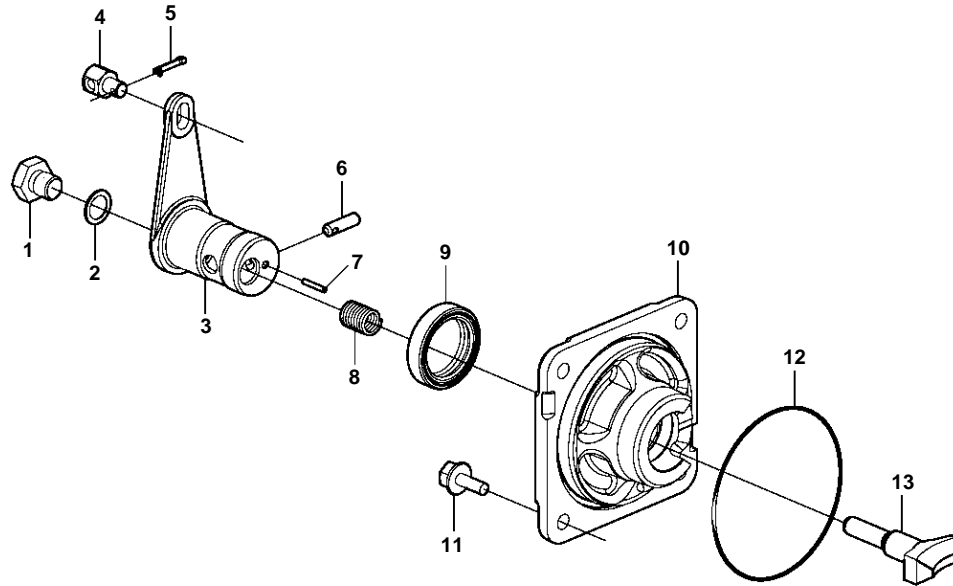


XDP-B



XDP-B

REF	PART NO.	QTY	DESCRIPTION
1	3860220	1	Screw
2	3860221	X	Shim
3	3860219	1	Eccentric
4	3852329	1	Cube
5	3854480	1	Cotter pin
6	942871	1	Pin
7	973593	1	Pin
8	814184	1	Spring
9	853868	1	Sealing ring
10	3860218	1	Bearing housing
11	982283	5	Flange screw
12	925093	1	O-ring
13	3856502	1	Shoe
14	3860275	1	Bracket