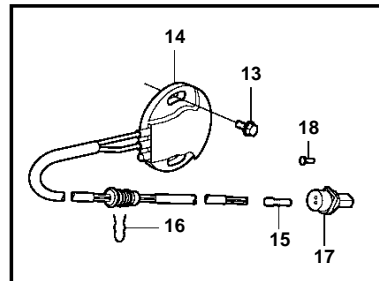
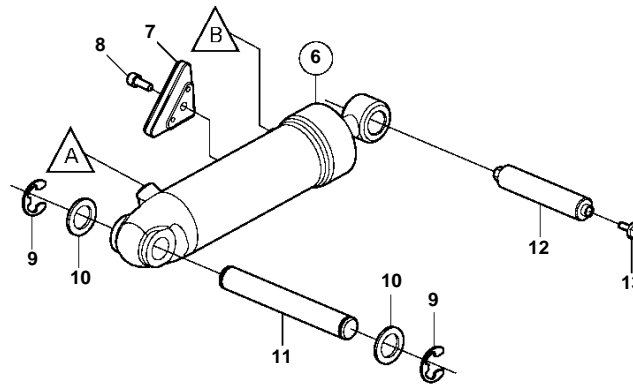
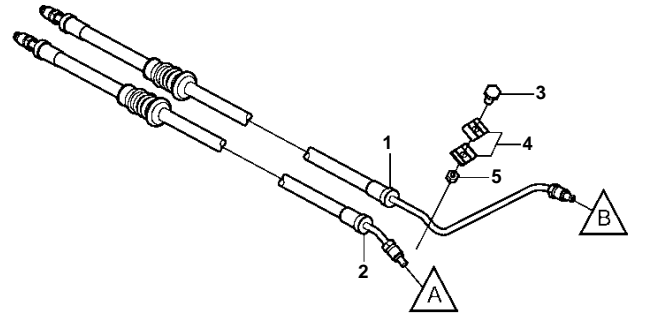


X-BLT, XHP-BLT, XXP-ALT



X-BLT, XHP-BLT, XXP-ALT

REF	PART NO.	QTY	DESCRIPTION
1	3860374	1	Hydraulic hose
2	3860373	1	Hydraulic hose
3	963545	1	Screw
4	854628	2	Clamp
5	944456	1	Nut
6	3589472	1	Trimming cylinder
7	3861583	1	· Zinc anod
8	963683	1	· · Screw
9	3857521	2	Clip
10	982328	2	Washer
11	3860379	1	Pin
12	3860378	1	Pin
13	982283	3	Flange screw
14	3861169	1	Sender
15	3852257	2	· Cable terminal
16	3852555	1	Retainer
17	3852239	1	Pin connector
18	3852230	1	Plug