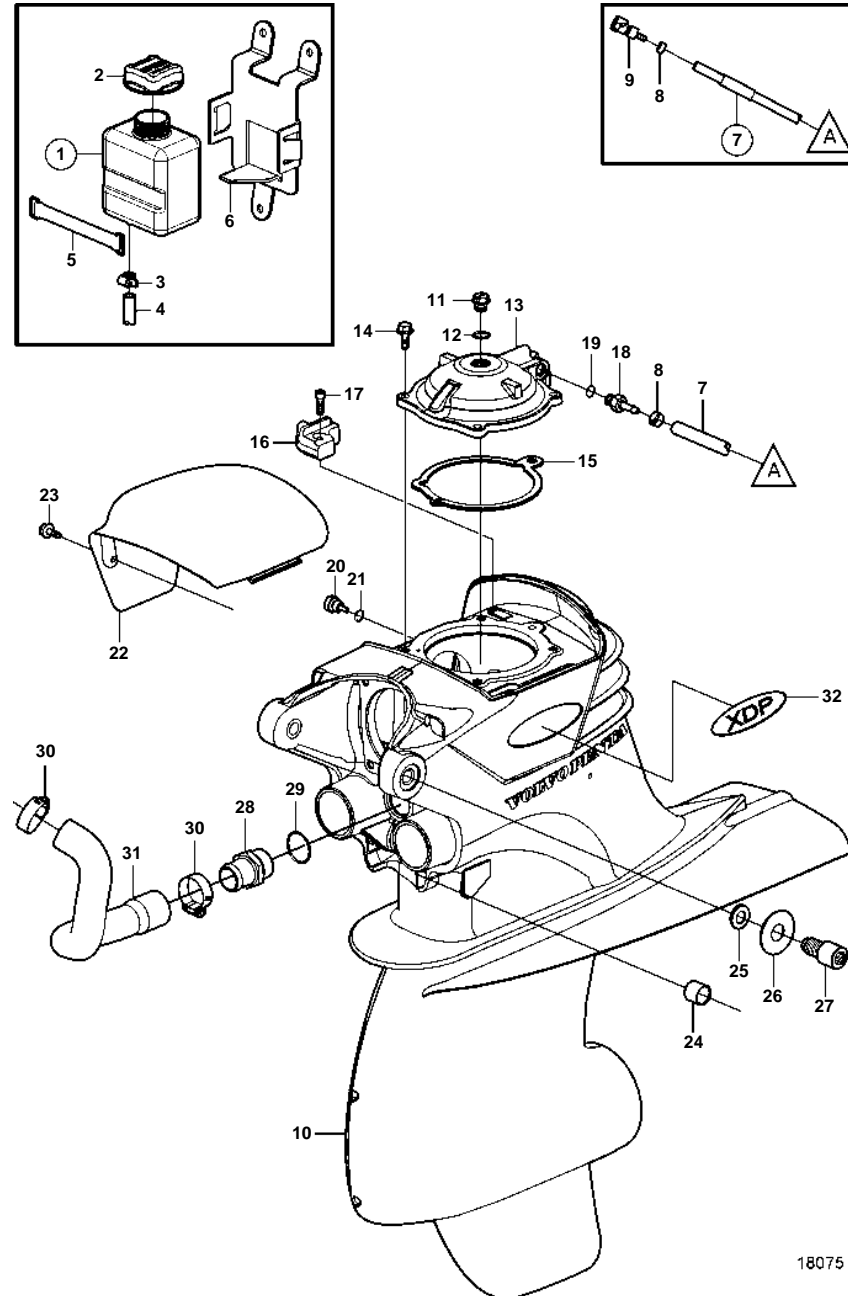


XDP-B



18075

XDP-B

REF	PART NO.	QTY	DESCRIPTION	SEE SEC.	NOTES
1	3862175	1	Oil reservoir		
2	3862109	1	• Cap		
3	3860413	1	Clamp		
4	3862289	1	Oil line	4595	
5	3862111	1	Strap		
6		1	Bracket		MOUNTED ON ENGINE. See catalog for engine.
	3809535	1	Bracket		MOUNTED ON TRANSOM
7	3862290	1	Oil line		
8	982713	2	• Clamp		
9	3862116	1	• Fitting		
10	3862077	1	Housing		
11	3861510	1	Plug		
12	3852045	1	O-ring		
13	3862106	1	Cover		
14	982285	4	Flange screw		
15	3862105	2	Gasket		
16	3861636	1	Anode		
	3861633	X	Magnesium anode		
17	963684	1	Screw		
18	3862166	1	Fitting		
19	190187	1	O-ring		
20	3854539	1	Plug		
21	3855081	1	• O-ring		
22	3860414	1	Cover		
23	982283	2	Flange screw		
24	3862139	2	Bushing		
25	982328	2	Washer		
26	3860430	2	Wear washer		
27	3861797	2	Shoulder screw		
28	3862075	1	Fitting		
29	949974	1	O-ring		
30	3852602	2	Clamp		
31	3862068	1	Hose		
32	3861691	2	Decal		XDP