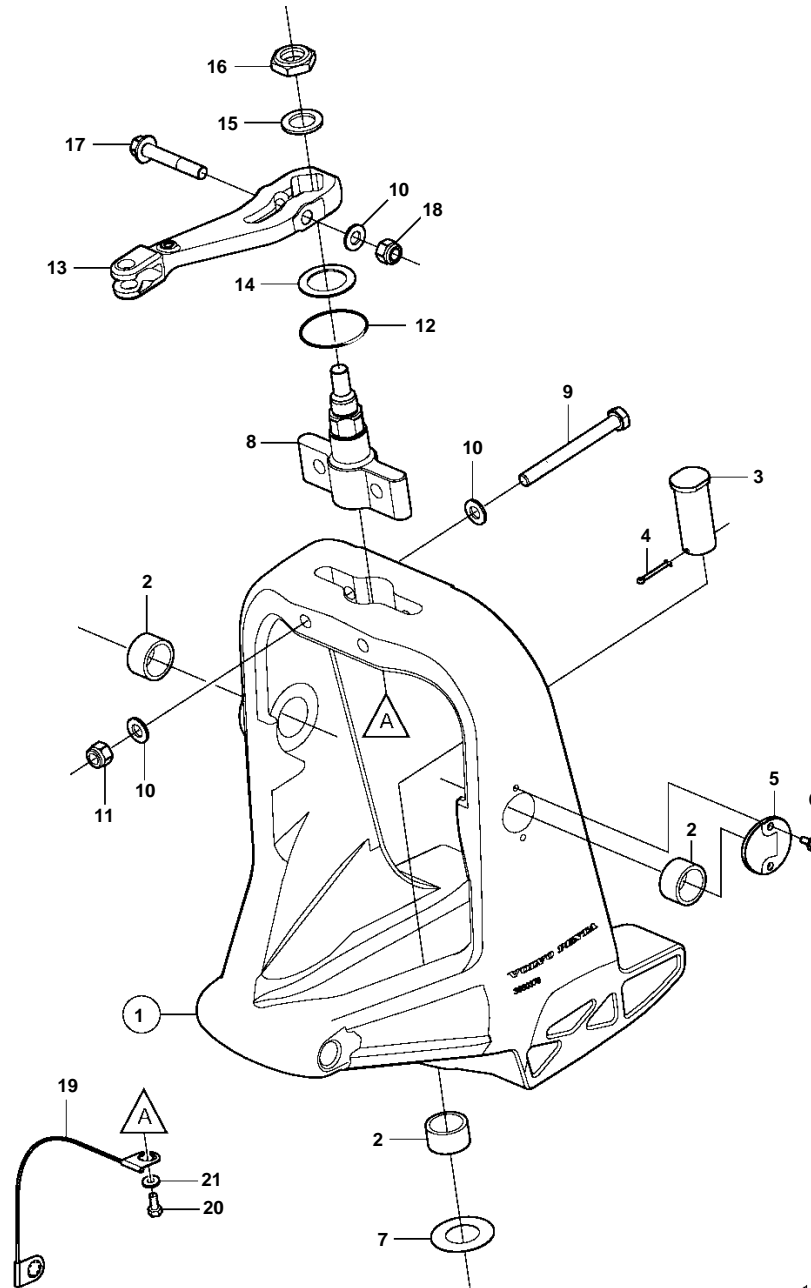


X-B, X-BLT, XHP-B, XHP-BLT, XXP-D3



18921

Upd: 21 NOV 2005

18921

7744180 - 44 - 5453

X-B, X-BLT, XHP-B, XHP-BLT, XXP-D3

REF	PART NO.	QTY	DESCRIPTION
1	3860753	1	Housing
2	3852544	3	· Bearing
3	3860380	1	Shaft
4	979874	1	Cotter pin
5	3862138	1	Cap
6	982283	2	Flange screw
7	3860430	2	Wear washer
8	3861823	1	Steering knuckle
9	971032	2	Screw
10	980933	5	Washer
11	982531	2	Lock nut
12	941503	1	O-ring
13	3862125	1	Arm
14	3860521	1	Thrust washer
15	982328	1	Washer
16	947363	1	Nut
17	965187	1	Screw
18	971089	1	Lock nut
19	3861447	1	Ground cable
20	982523	1	Hexagon screw
21	982408	1	Washer