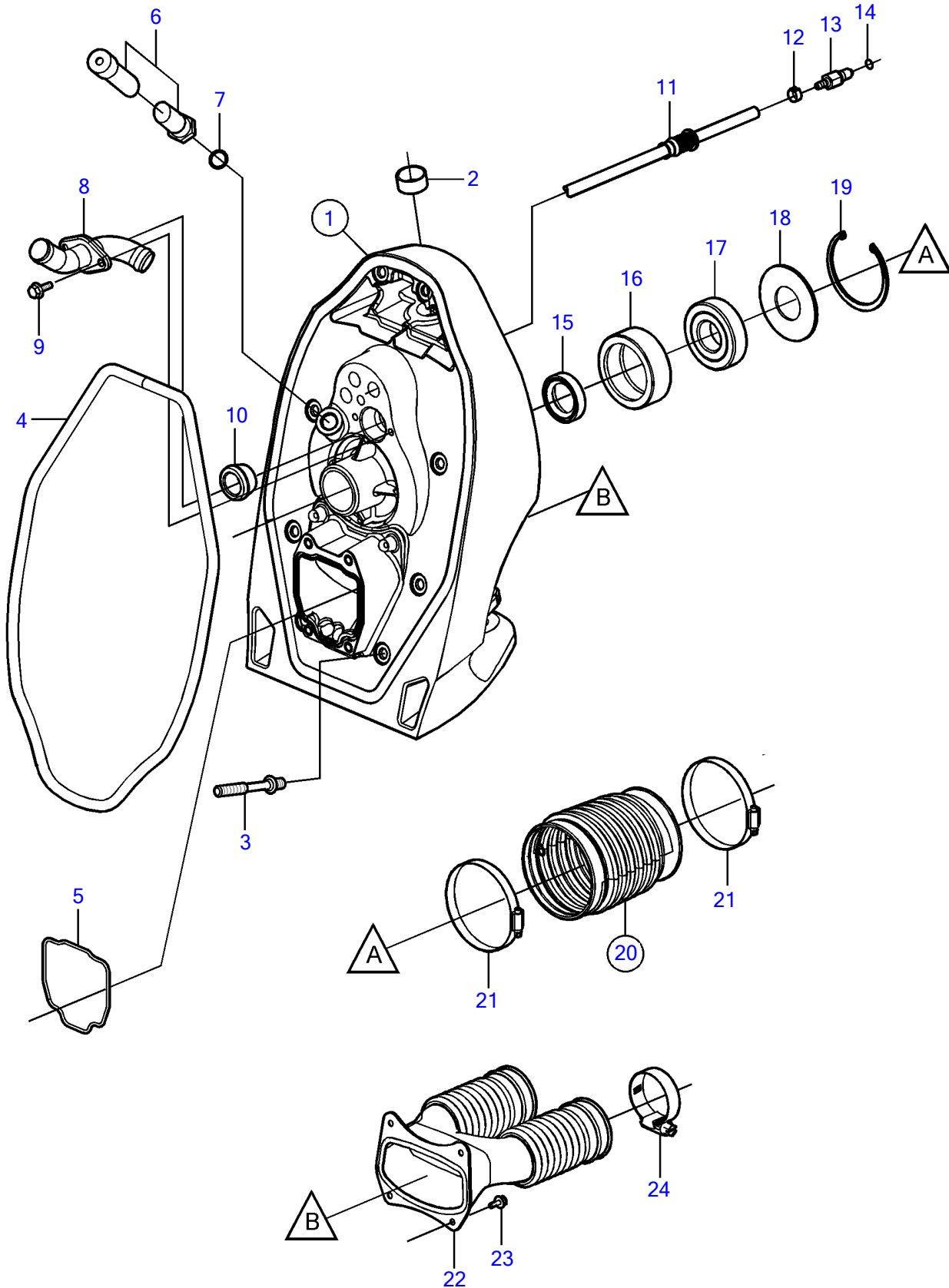


XHP-B, XHP-BLT, XXP-D3



XHP-B, XHP-BLT, XXP-D3

REF	PART NO.	QTY	DESCRIPTION	SEE SEC.	NOTES
1	(3862498)	1	Shield		Obsolete part
			• Bulletin P-44-1-23	P-44-1-23-EN	XDP TSK Replacement
2	3860446	1	• Bearing		
3	3861840	6	• Stud		L=88mm
	3861841	2	• Stud		L=74mm
4	3860377	1	• Sealing		
5	3860984	1	• Sealing		
			• Bulletin P-25-2-2	P-25-2-2-EN	Y-pipe seal, gas engines
6	3856800	1	Hose, shift cable		
7	3852537	1	O-ring		
8	3862038	1	Tube		
9	982285	2	Flange screw		
10	3852556	1	Bushing		
11	3862289	1	Oil line	4601	
12	982713	1	• Clamp		
13	3862115	1	• Fitting		
14	942978	1	• • O-ring		
15	3852548	1	Sealing		
16	3860365	1	Rubber collar		
17	184860	1	Ball bearing		
18	3862067	1	Plate, bearing		
19	3861006	1	Snap ring		
20	21277185	1	Bellows		
21	853012	2	• Hose clamp		
22	3885871	1	Bellows		
23	982283	4	Flange screw		
24	3854978	2	Hose clamp		