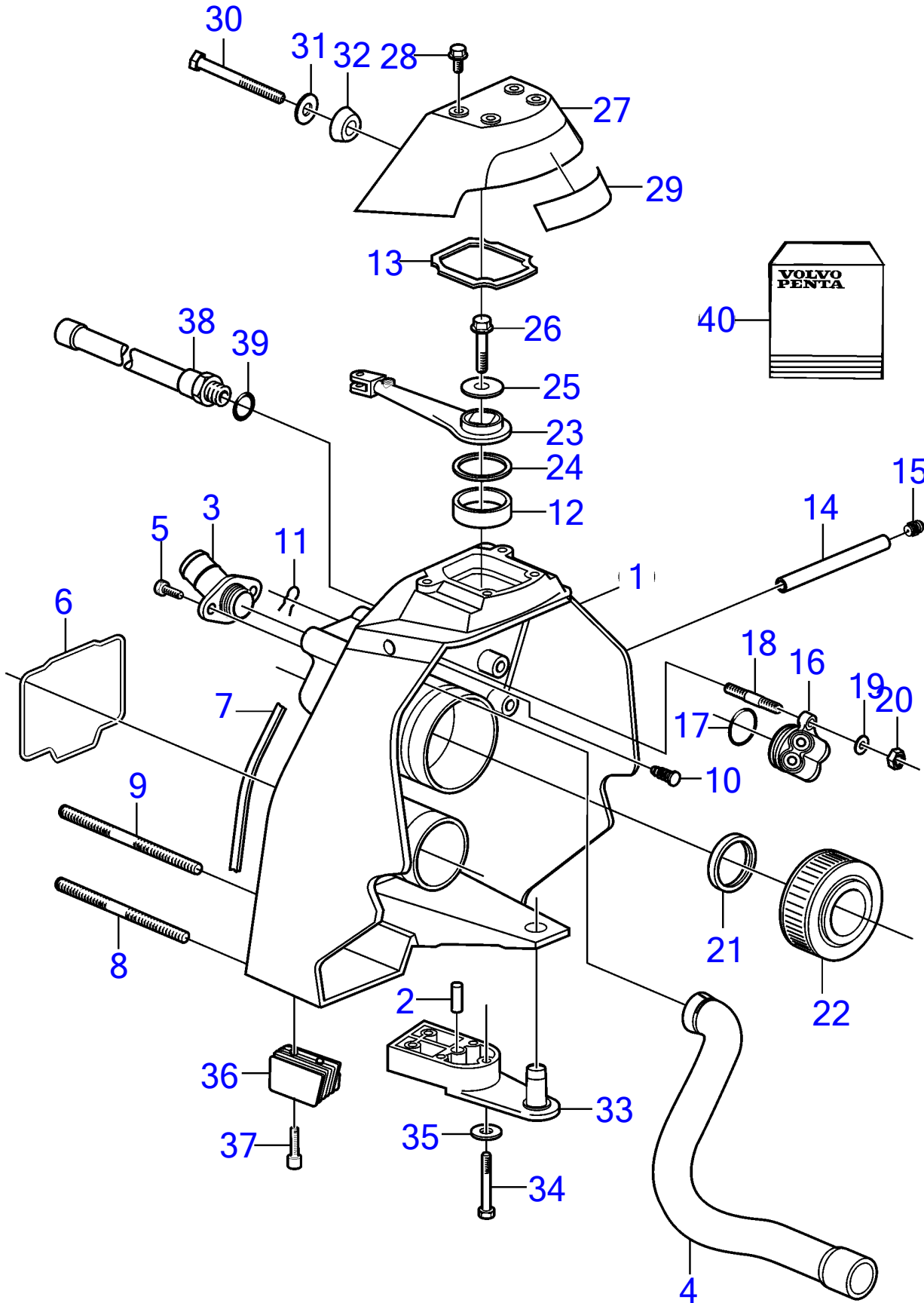


SX-MHP



SX-MHP

REF	PART NO.	QTY	DESCRIPTION	SEE SEC.	NOTES
1	3817147	1	Housing		
2	3852549	1	• Pin		
3	3807688	1	• Fitting		
4	3807890	1	• Hose		
5	3852454	2	• Flange screw		
6	3587651	1	• Kit		
			• Bulletin P-25-2-2	P-25-2-2-EN	Y-pipe seal, gas engines
7	3852550	1	• Sealing		
8	3852576	2	• Stud		
9	3852546	4	• Stud		
10	3851975	1	• Plug		
11	3852555	1	• Retainer		
12	3852547	1	• Bearing		
13	3857087	1	• O-ring		
14	3852564	1	• Tube		
15	3852121	1	• Fitting		
16	3852559	1	• Block		
17	3852169	1	• O-ring		
18	3852141	1	• Stud		
19	3852193	1	• Washer		
20	3852005	1	• Nut		
21	3852548	1	• Sealing		
22	3853807	1	• Bearing		replaced by next part number
	21752712	1	Bearing		
23	3856093	1	Spindle arm		
24	3852554	1	Washer		
25	3852540	1	Washer		
26	3853626	1	Flange screw		
27	3856985	1	Cover		
28	3857146	4	Flange screw		
29	3857652	1	Decal		
30	3856726	2	Bolt		
31	3852573	2	Washer		
32	3852852	2	Gasket		
33	3858194	1	Bracket		
34	3852151	5	Hexagon screw		
35	(3852155)	5	Washer		Obsolete part
36	873395	2	Zinc electrode		
	3863480	2	Anode		
37	959421	4	Screw		
38	3856800	1	Hose		
39	3852537	1	O-ring		
40	3858631	1	Sealing kit		