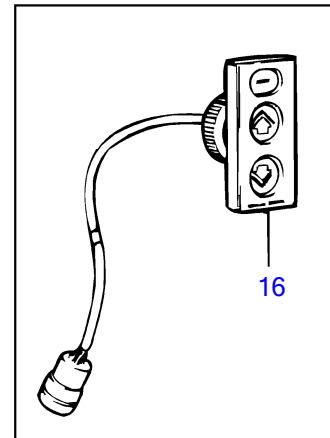
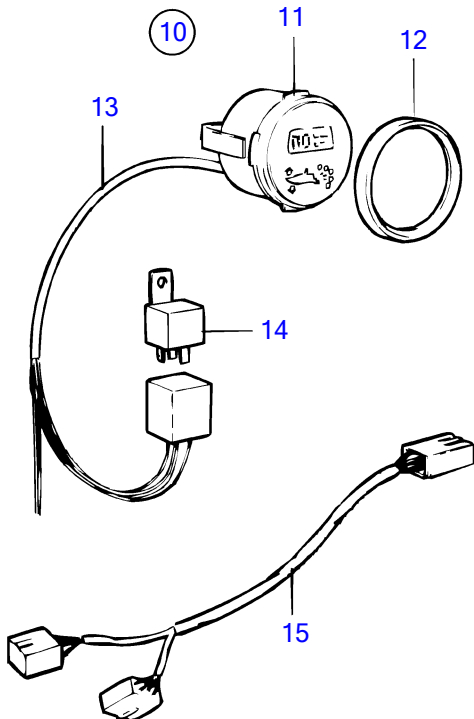
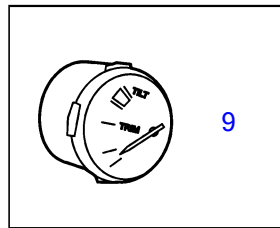
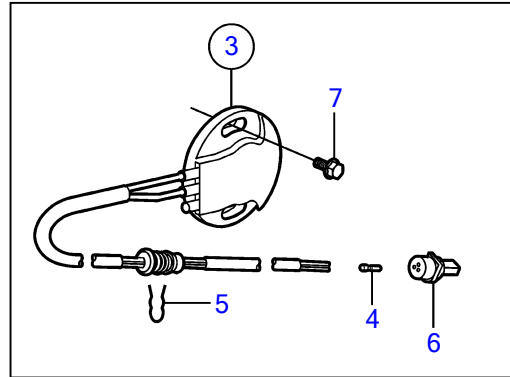
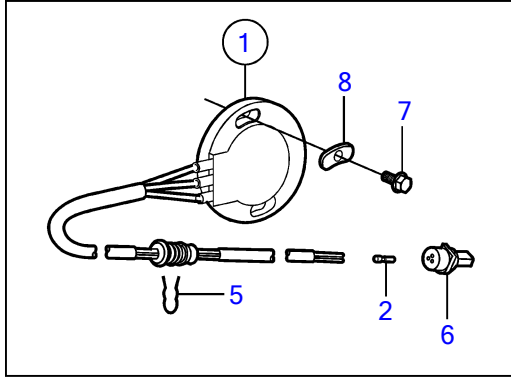


SX-M, SX-MLT, SX-MDA, SX-MDB, SX-MHP, SX-MACLT, SX-MAC, SX-MDC, SX-MBAC



SX-M, SX-MLT, SX-MDA, SX-MDB, SX-MHP, SX-MACLT, SX-MAC, SX-MDC, SX-MBAC

| REF | PART NO.  | QTY | DESCRIPTION    | NOTES  |
|-----|-----------|-----|----------------|--|
| 1   | 3855535   | 1   | Bracket        | Earlier production, NC, LK, BY, 3 wire, replaced by next part number |
|     | 3863007   | 1   | Wire           | 3 wire, replaced by next part number                                 |
|     | 3849411   | 1   | Sensor         | 3 wire   |
|     | (3855115) | 1   | Sensor         | Obsolete part, Dual station  |
|     | 3858212   | 1   | Sensor         | Digital, replaced by next part number                                |
|     | 21652399  | 1   | Sensor         | Digital  |
| 2   | (3852257) | 3   | • Terminal     | Obsolete part  |
| 3   | 3863129   | 1   | Kit            | Later production, BY, WT, EF, 2 wire, replaced by next part number   |
|     | 3594989   | 1   | Sensor         |  |
| 4   | (3852257) | 2   | • Terminal     | Obsolete part  |
| 5   | 3852555   | 1   | Retainer       |  |
| 6   | 3852239   | 1   | Pin connector  |  |
| 7   | 3852081   | 2   | Screw          |  |
| 8   | 3853458   | 2   | Washer         |  |
| 9   | 3851787   | 1   | Adapter kit    | Analog   |
| 10  | (3860248) | 1   | Kit            | Obsolete part, Digital   |
| 11  | 3858773   | 1   | • Instrument   |  |
| 12  | 858643    | 1   | • • Front ring |  |
| 13  | 856821    | 1   | • Cable kit    |  |
| 14  | 1324492   | 2   | • Relay        |  |
| 15  | 853066    | 1   | • Cable trunk  |  |
| 16  | 3855650   | 1   | Control panel  |  |