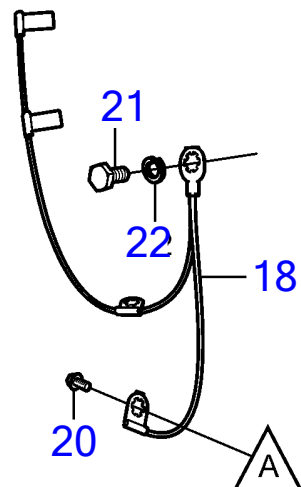
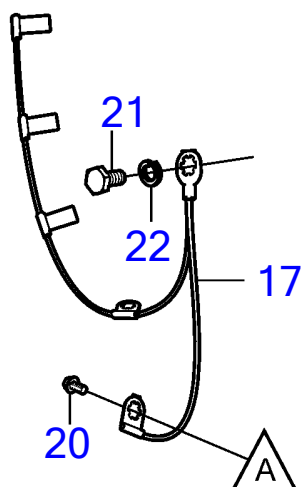
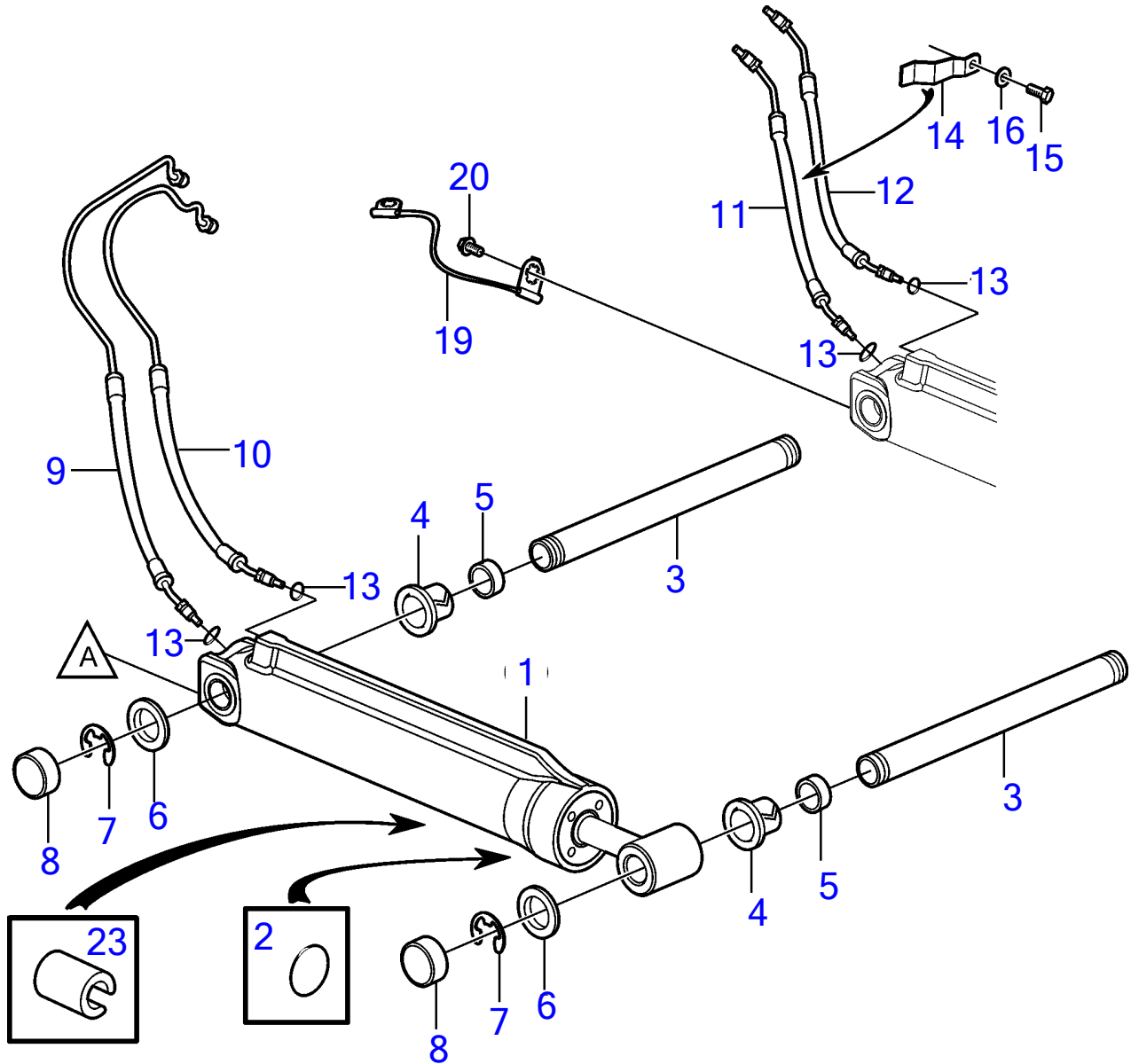


SX-M, SX-MDA, SX-MDB, SX-MHP, SX-MDC, SX-MBAC



SX-M, SX-MDA, SX-MDB, SX-MHP, SX-MDC, SX-MBAC

REF	PART NO.	QTY	DESCRIPTION	NOTES
1	3857470	2	Cylinder	
2	888864	2	• Sealing washer	
3	3857431	2	Pivot pin	
4	3853423	4	Bushing	
5	3853424	4	Grommet	
6	3857588	4	Washer	
7	3857521	4	E-circlip	
8	3857522	4	Cardboard tube	
9	3857523	1	Oil line	
10	3853857	1	Oil line	
11	3857524	1	Oil line	
12	3853855	1	Oil line	
13	3852165	12	O-ring	
14	3852354	2	Clamp	Obsolete part
15	3852201	2	Hexagon screw	
16	(3852191)	2	Washer	Obsolete part
17	3853848	1	Chassis ground cable	Earlier production
18	3808078	1	Strap	Later production
19	3853849	1	Chassis ground cable	
20	3852568	2	Flange screw	
21	3852050	1	Screw	
22	3852193	1	Washer	
23	(3857589)	X	Trimming limiter	Obsolete part
		2	• Spacer	