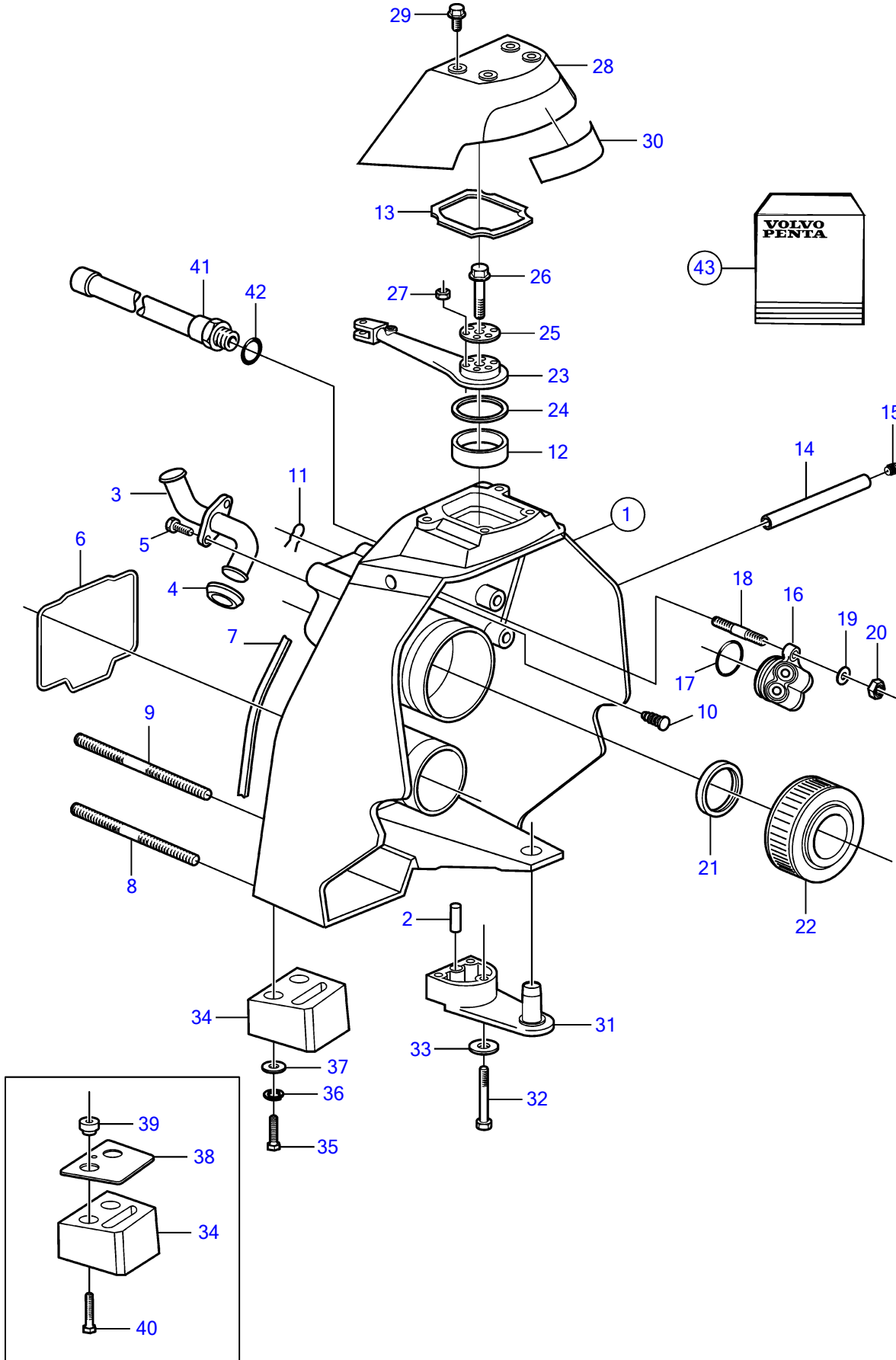


SX-MLT, SX-MDA



19609

SX-MLT, SX-MDA

REF	PART NO.	QTY	DESCRIPTION	SEE SEC.	NOTES
1	3856990	1	Housing		
			• Bulletin P-44-1-21	P-44-1-21-EN	TSK replacement info
2	3852549	1	• Pin		
3	3807688	1	• Fitting		
4	3807890	1	• Hose		
5	3852454	2	• Flange screw		
6	3587651	1	Kit		
			• Bulletin P-25-2-2	P-25-2-2-EN	Y-pipe seal, gas engines
7	3852550	1	• Sealing		
8	3852576	2	• Stud		
9	3852546	4	• Stud		
10	3851975	1	• Plug		
11	3852555	1	• Retainer		
12	3852547	1	• Bearing		
13	3857087	1	• O-ring		
14	3852564	1	• Tube		
15	3852121	1	• Fitting		
16	3852559	1	• Block		
17	3852169	1	• O-ring		
18	3852141	1	• Stud		
19	3852193	1	• Washer		
20	3852005	1	• Nut		
21	3852548	1	• Sealing		
22	3853807	1	• Bearing		replaced by next part number
	21752712	1	Bearing		
23	3852379	1	Arm		
24	3852554	1	Washer		
25	3852585	1	Plate		
26	(3852591)	1	Screw		Obsolete part
27	3852004	4	Nut		
28	3857238	1	Cardboard tube		
29	3857146	4	Flange screw		
30	3857652	1	Decal		
31	3852380	1	Bracket		Earlier production, Replaced by 3858192
	3858192	1	Bracket		
32	3852151	3	Hexagon screw		
33	(3852155)	3	Washer		Obsolete part
34	3854130	1	Anode		
			• Bulletin P-44-1-1	P-44-1-1-EN	Anodes, SX AND DP-S
34	3855610	1	Magnesium anode		
	3586461	1	Anode, aluminum		
35	3852192	2	Hexagon screw		
36	3852061	2	Washer		
37	(3852191)	2	Washer		Obsolete part
38	3858542	1	Plate		
39	3851823	1	Spacer		
40	940173	1	Hexagon screw		
41	3856800	1	Hose		
42	3852537	1	O-ring		
43	3858631	1	Sealing kit		