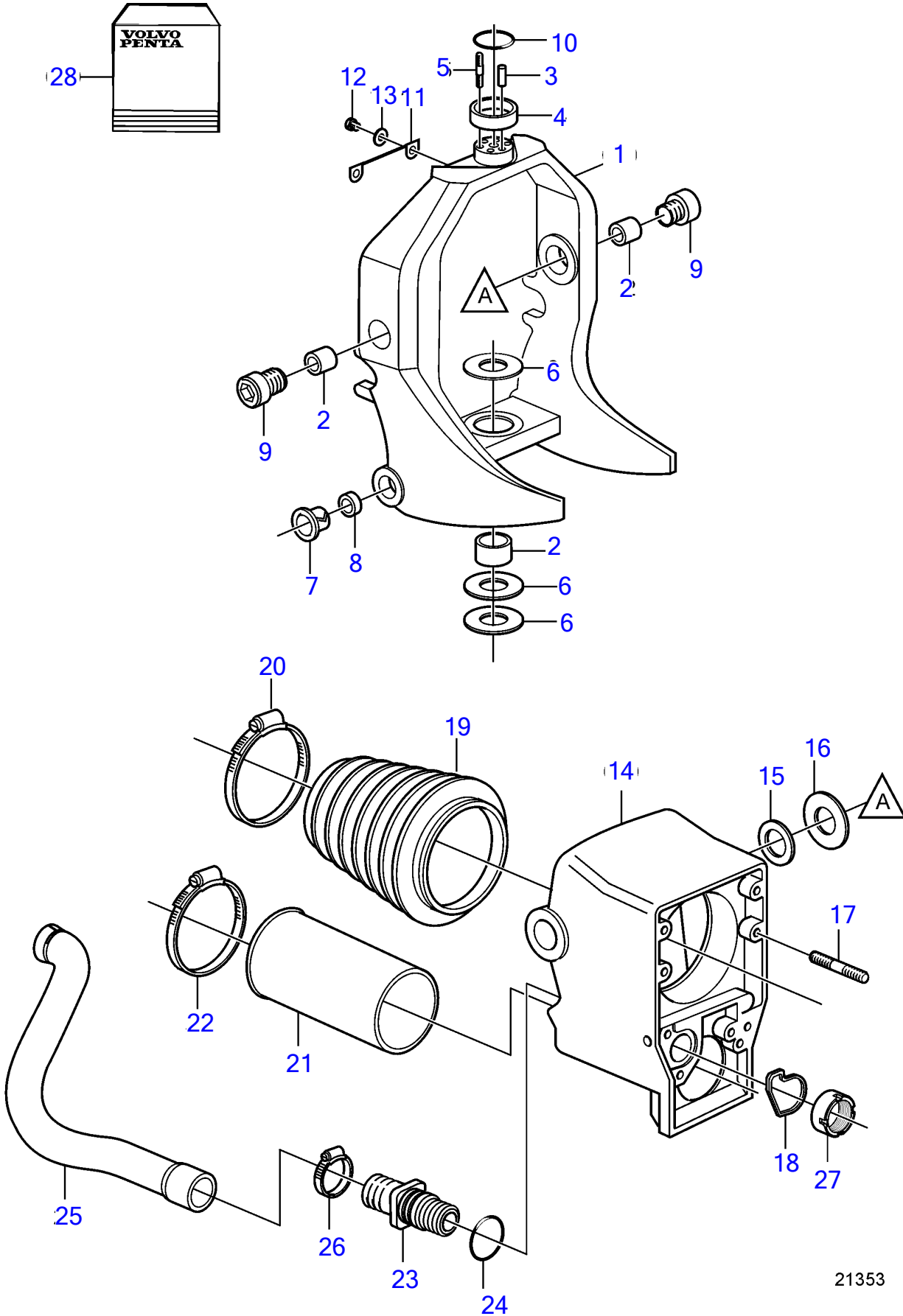


SX-MBAC



21353

SX-MBAC

REF	PART NO.	QTY	DESCRIPTION	NOTES
1	3808365	1	Ring	
2	3808228	3	• Bearing bushing	
3	3852545	2	• Dowel	
4	3852571	1	• Sleeve	
5	3852588	4	• Stud	
6	3852557	3	Washer	
7	3853423	2	Bushing	
8	3853424	2	Grommet	
9	3852316	2	Screw	
10	3852044	1	O-ring	
11	3857347	1	Ground cable	
12	3852050	2	Screw	
13	3852193	2	Washer	
14	3807964	1	Housing	
15	3852697	2	• Washer	
16	3852558	2	• Washer	
17	3852551	6	• Stud	
18	3852560	1	• Sealing	
19	3841481	1	Bellows kit	replaced by next part number
	22197130	1	Bellows kit	
20	3852604	1	• Hose clamp	
	22274887	1	Hose clamp	included in 22197130
21	3587641	1	Bellows	
22	3852603	1	Hose clamp	
23	3807819	1	Nipple	
24	983513	1	O-ring	
25	3807890	1	Hose	
26	3852602	1	Hose clamp	
27	3807821	1	Nut	
28	3858631	1	Sealing kit	