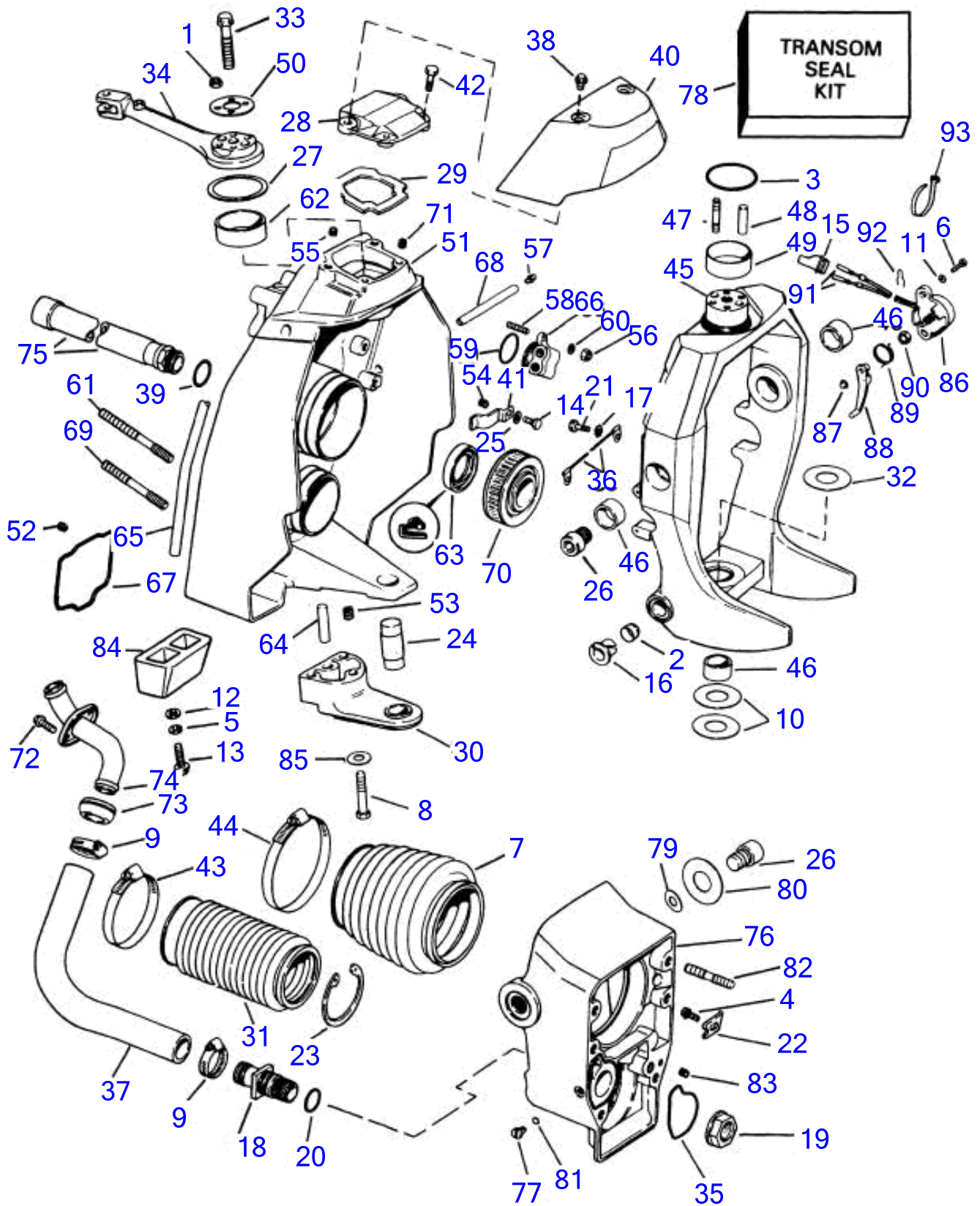


SX-S, SX-SLT



SX-S, SX-SLT

REF	PART NO.	QTY	DESCRIPTION	SEE SEC.	NOTES
1	3852004	4	Nut, steering arm stud		
2	3853424	2	Grommet, pivot pin		
3	3852044	1	O-ring, upper gimbal		
4	3852006	1	Screw, shift cable retainer		
5	3852061	2	Washer, anode		
6	3852081	2	Screw, trim sender		
7		1	Bellows, u-joint		replaced by next part number
	3841481	1	Bellows kit		replaced by next part number
	22197130	1	Bellows kit		Clamp included
8	3852151	3	Hexagon screw, support housing		
9	3852602	2	Hose clamp, water hose		
10	3852557	2	Washer		
11	3852003	2	Washer, trim sender		
12	(3852191)	2	Washer, anode		Obsolete part
13	3852192	2	Hexagon screw, anode		
14	3852201	2	Hexagon screw, oil line retainer		
15	3853564	1	Connector, sending unit		
16	3853423	2	Bushing, pivot pin		
17	3852193	2	Washer, ground strap		
18	3852533	1	Nipple, water inlet		
19	3852534	1	Nut, nipple		
20	3852535	1	O-ring, nipple		Part of transom seal kit
21	3852050	2	Screw, ground strap		
22	3852313	1	Retainer, shift cable		
23	3852665	1	Retainer, exhaust boot		
24	3852728	1	Shaft, steering pivot		
25	(3852191)	2	Washer, oil. line clamp		Obsolete part
26	3852316	2	Screw, gimbal to pivot		
27	3852554	1	Washer, steering arm		
28	3854577	1	Cover		
29	3852677	1	• Gasket, cap		Part of transom seal kit
30	3852380	1	Bracket		
31	3850426	1	Bellows, exhaust		
			• Bulletin P-44-1-20	P-44-1-20-EN	Exhaust Bellows, problems with aftermarket parts
32	3852557	1	Washer, lower gimbal		
33	(3852591)	1	Screw, steering arm		Obsolete part
34	3852379	1	Arm		
35	3852560	1	Sealing, water passage		Part of transom seal kit
36	3853929	1	Chassis ground cable, pivot housing		
37	3852352	1	Hose, water inlet		
38	(3852682)	2	Screw, cover		Obsolete part
39	3852537	1	O-ring, sleeve & connector		Part of transom seal kit
40	3852415	1	Cover		
41	3852354	2	Clamp, oil line		
42	3852473	2	Flange screw, cap to gimbal		
43	3852603	1	Hose clamp, exhaust		
44	3852604	1	Hose clamp, u-joint bellows		
45	3852416	1	Suspension fork		
46	3852544	3	• Bearing, steering & tilt		Part of transom seal kit
47	3852588	4	• Stud		
48	3852545	2	• Dowel, steering arm		
49	3852571	1	• Sleeve, gimbal		
50	3852585	1	Plate, steering arm		
51	3850714	1	Housing		
52	3852953	4	• Thread insert, exhaust pipe		
53	3852515	3	• Insert, steering support		
54	3852513	2	• Insert, retainer		
55	3852567	2	• Insert, steering cover		
56	3852005	1	• Nut, manifold block		
57	3852121	1	• Fitting		
58	3852141	1	• Stud, manifold block		
59	3852169	1	• O-ring, manifold block 1T		Part of transom seal kit
60	3852193	1	• Washer, manifold block		

SX-S, SX-SLT

REF	PART NO.	QTY	DESCRIPTION	SEE SEC.	NOTES
61	3852546	4	• Stud, transom, long		
62	3852547	1	• Bearing, steering		Part of transom seal kit
63	3852548	1	• Sealing, driveshaft		Part of transom seal kit
64	3852549	1	• Pin, steering support		
65	3852550	1	• Sealing, transom		Part of transom seal kit
66	3852559	1	• Block		
67		1	• Sealing, exhaust pipe		Part of transom seal kit
			• Bulletin P-25-2-2	P-25-2-2-EN	Y-pipe seal, gas engines
68	3852564	1	• Tube, grease		
69	3852576	2	• Stud, transom, short		
70	3853807	1	• Bearing, u joint		replaced by next part number
	21752712	1	Bearing		
71	(3852526)	2	• Insert		Obsolete part
72	3852454	2	• Flange screw, water tube		
73	3852556	1	• Bushing, water tube (1)		Part of transom seal kit
74	3853880	1	• Pipe		
75	3850694	1	Cable sleeve		
76	3850706	1	Housing		
77	3852536	1	• Plug, water drain		
78	3854270	1	• Sealing kit		
79	3852697	2	• Washer, gimbal to pivot hsg		Part of transom seal kit
80	3852558	2	• Washer, pivot screw		
81	3852523	1	• O-ring, plug 1a		Part of transom seal kit
82	3852551	6	• Stud, pivot to gear hsg		
83	3852514	1	• Insert, shift cable retainer		
84	3854130	1	Anode		
			• Bulletin P-44-1-1	P-44-1-1-EN	Anodes, SX AND DP-S
85	3852697	3	Washer, steering support bracket		
86	(3850470)	1	Sensor		Obsolete part
87	(3852232)	1	• Retainer, arm		Obsolete part
88	(3852552)	1	• Arm		Obsolete part
89	3852577	1	• Spring		
90	3852164	1	• Nut		
91	(3852257)	2	• Terminal, socket		Obsolete part
92	3852555	1	Retainer, trim sender lead		
93		2	Cable tie, sender leads to oil line		