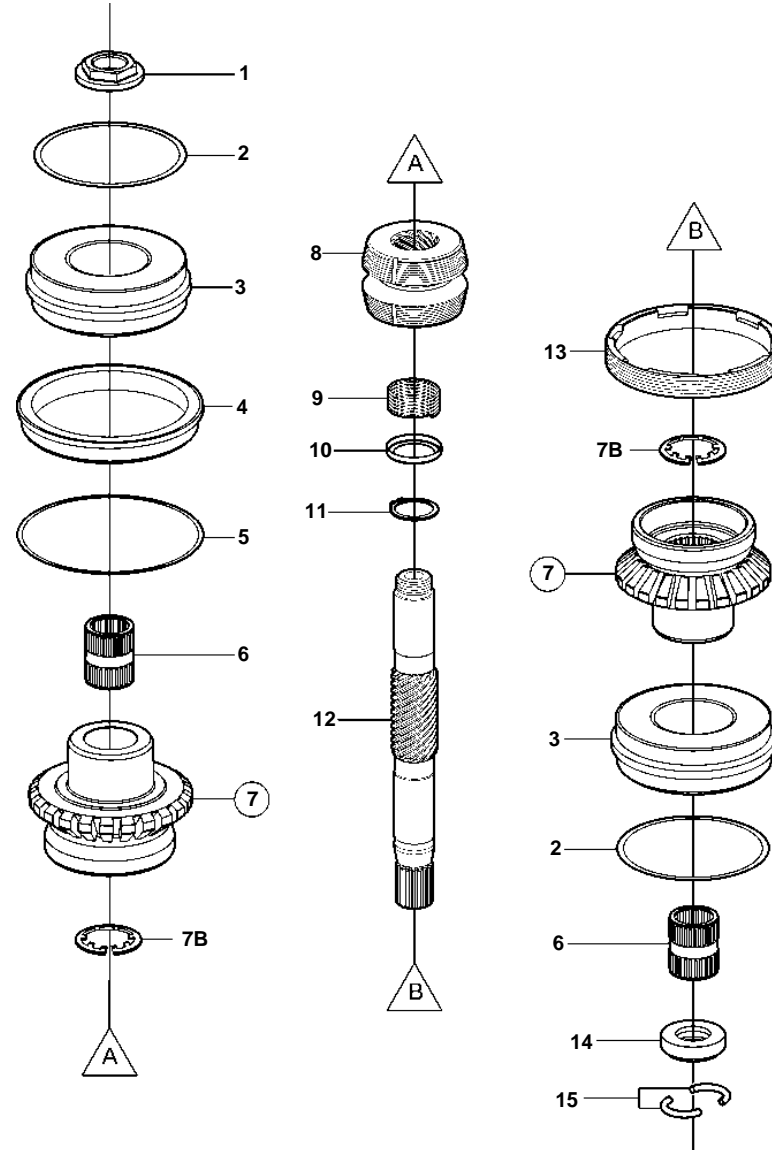


SX-M 2.18, SX-M 1.97, SX-M 1.89, SX-M 1.79, SX-MTD 2.18, SX-MTD 1.97, SX-MTD 1.79, DP-SM 2.32, DP-SMTD3 2.11



SX-M 2.18, SX-M 1.97, SX-M 1.89, SX-M 1.79, SX-MTD 2.18, SX-MTD 1.97, SX-MTD 1.79, DP-SM 2.32, DP-SMTD3 2.11

REF	PART NO.	QTY	DESCRIPTION	SEE SEC.	NOTES
1	3852301	X	Nut		TH = 0.00
	3852302	X	Nut		TH = 0.20mm
	3852303	X	Nut		TH = 0.40mm
	3852375	X	Nut		TH = 0.60mm
2	3852368	X	Shim		TH=0.002"
	3852369	X	Shim		TH=0.003"
	3852370	X	Shim		TH=0.004"
	3852371	X	Shim		TH=0.005"
	3852372	X	Shim		TH=0.010"
3	3857176	2	Bearing kit		
4	3852269	1	Support ring		
5	3852363	X	Shim		TH=0.002"
	3852364	X	Shim		TH=0.003"
	3852365	X	Shim		TH=0.004"
	3852366	X	Shim		TH=0.005"
	3852367	X	Shim		TH=0.010"
6	3852390	2	Needle bearing		
7	3856996	1	Gear set	6229	
7B	190356	2	Retaining ring		
8	3855783	1	Sliding sleeve		
9	3852296	1	Spring		
10	3852298	1	Washer		
11	951078	1	Snap ring		
12	3852292	1	Shaft		
13	3852262	1	Retainer		
14	3852294	1	Ring		
15	3852295	2	Lock clip		