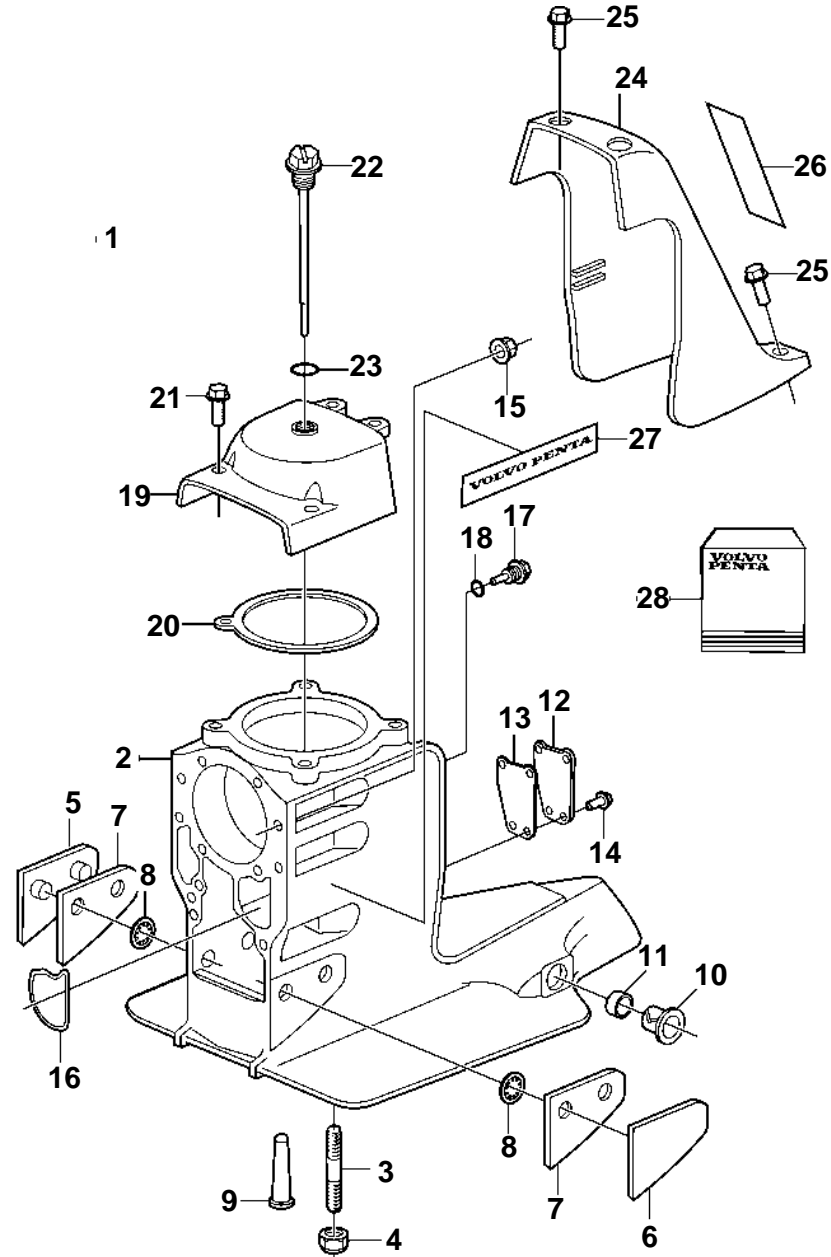


DP-MTD3 2.11



DP-MTD3 2.11

REF	PART NO.	QTY	DESCRIPTION	SEE SEC.	NOTES
1	3857010	1	Upper gear unit		COMPLETE
2	3818650	1	Housing		
3	941814	4	· Stud		
4	941885	4	· Nut		
5	3852562	1	Thrust plate		EARLIER PROD
	3589524	1	Plate		LATER PROD
6	3852561	1	Thrust plate		EARLIER PROD
	3589522	1	Plate		LATER PROD
7	3852563	X	Shim		Not used on later versions.
8	3852516	4	Ring retainer		Not used on later versions.
9	3854021	1	Strainer		
10	3853423	2	Bushing		
11	3853424	2	Grommet		
12	3812478	1	Plate		
13	3812476	1	Gasket		
14	3852373	4	Screw		
15	3853329	4	Nut		
16	3852560	1	Seal		
17	3854539	1	Plug		
18	3855081	1	· O-ring		
19	3854401	1	Bearing cover		
20	3852317	1	Gasket		
21	3852454	4	Screw		
22	3854847	1	Oil dipstick		
23	3852045	1	O-ring		
24	3852418	1	Cover		
25	3852568	3	Screw		
26	3855647	1	Decal		DP Duoprop
27	3857582	2	Decal		DP Duoprop
28	3850594	X	Sealing kit	6251	