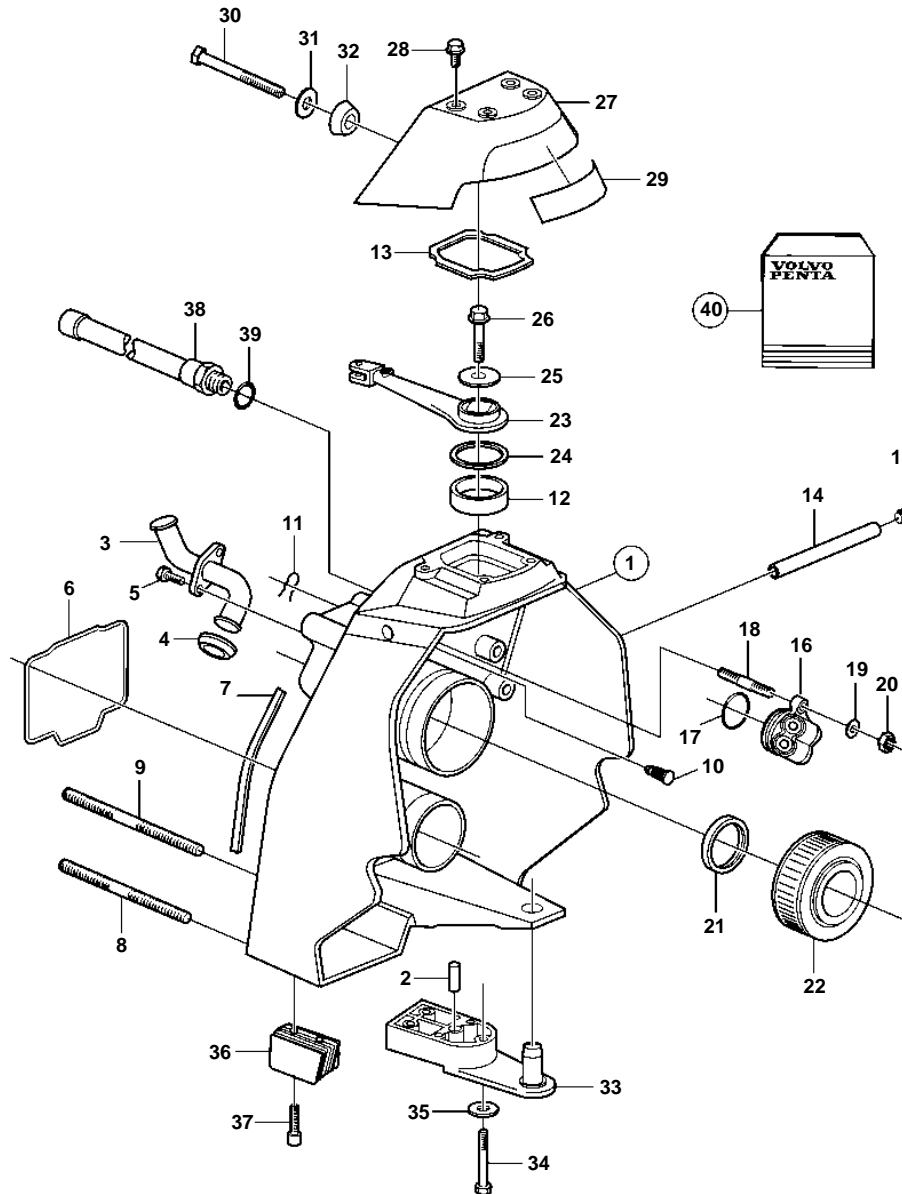


SX-MHP; EARLY



SX-MHP; EARLY

REF	PART NO.	QTY	DESCRIPTION	SEE SEC.
1	3857642	1	Housing	
2	3852549	1	• Pin	
3	3853880	1	• Tube	
4	3852556	1	• Bushing	
5	3852454	2	• Screw	
6	3587651	1	• Sealing kit	
7	3852550	1	• Seal	
8	3852576	2	• Stud	
9	3852546	4	• Stud	
10	3851975	1	• Plug	
11	3852555	1	• Retainer	
12	3852547	1	• Bearing	
13	3857087	1	• Seal	
14	3852564	1	• Tube	
15	3852121	1	• Lubricating nipple	
16	3852559	1	• Block	
17	3852169	1	• O-ring	
18	3852141	1	• Stud	
19	3852193	1	• Washer	
20	3852005	1	• Nut	
21	3852548	1	• Seal	
22	3853807	1	• Bearing	
23	3856093	1	Spindle arm	
24	3852554	1	Thrust washer	
25	3852540	1	Washer	
26	3853626	1	Screw	
27	3856985	1	Cover	
28	3857146	4	Screw	
29	3857652	1	Decal	
30	3856726	2	Screw	
31	3852573	2	Washer	
32	3852852	2	Gasket	
33	3858194	1	Bracket	
34	3852151	5	Screw	
35	3852155	5	Washer	
36	873395	2	Zinc anod	
	3863480	X	Magnesium anode	
37	959422	4	Screw	
38	3856800	1	Hose	
39	3852537	1	O-ring	
40	3858631	1	Sealing kit	6251