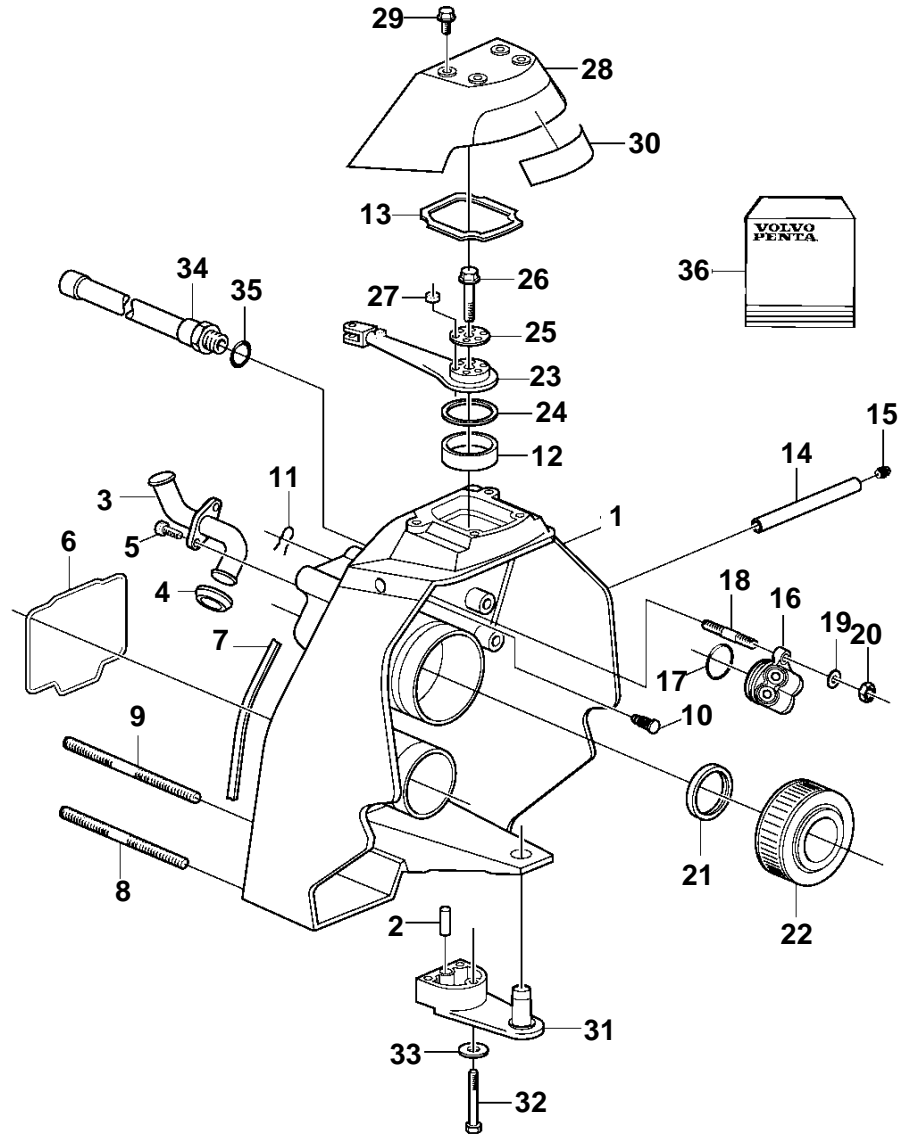


SX-MACLT; EARLY



SX-MACLT; EARLY

REF	PART NO.	QTY	DESCRIPTION	SEE SEC.
1	3856990	1	Housing	
2	3852549	1	• Pin	
3	3853880	1	• Tube	
4	3852556	1	• Bushing	
5	3852454	2	• Screw	
6	3587651	1	• Sealing kit	
7	3852550	1	• Seal	
8	3852576	2	• Stud	
9	3852546	4	• Stud	
10	3851975	1	• Plug	
11	3852555	1	• Retainer	
12	3852547	1	• Bearing	
13	3857087	1	• Seal	
14	3852564	1	• Tube	
15	3852121	1	• Lubricating nipple	
16	3852559	1	• Block	
17	3852169	1	• O-ring	
18	3852141	1	• Stud	
19	3852193	1	• Washer	
20	3852005	1	• Nut	
21	3852548	1	• Seal	
22	3853807	1	• Bearing	
23	3852379	1	Spindle arm	
24	3852554	1	Thrust washer	
25	3852585	1	Plate	
26	3852591	1	Screw	
27	3852004	4	Lock nut	
28	3857238	1	Cover	
29	3857146	4	Screw	
30	3857652	1	Decal	
31	3858192	1	Bracket	
32	3852151	3	Screw	
33	3852155	3	Washer	
34	3856800	1	Hose	
35	3852537	1	O-ring	
36	3858631	1	Sealing kit	6251