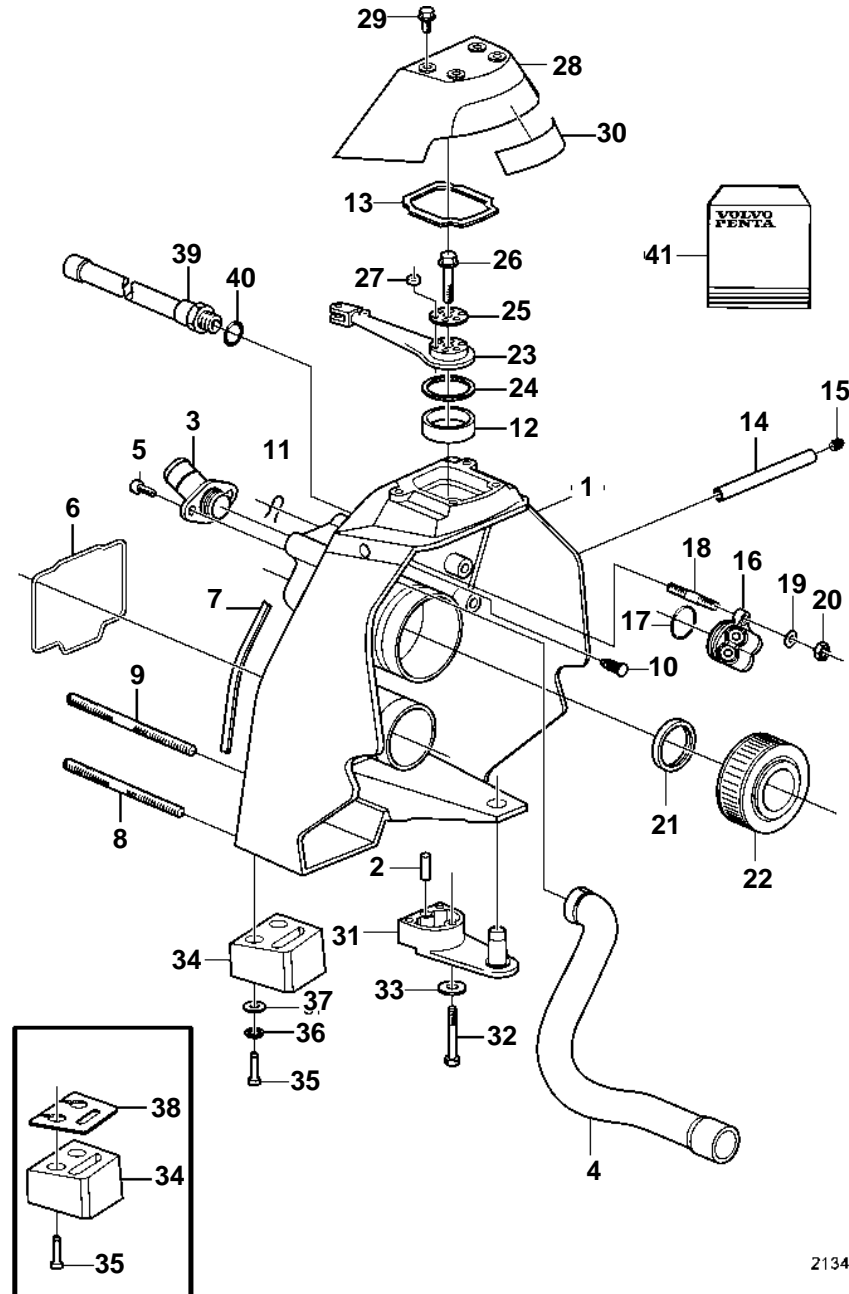


SX-M; LATER



21346

SX-M; LATER

REF	PART NO.	QTY	DESCRIPTION	SEE SEC.	NOTES
1	3817146	1	Housing		
2	3852549	1	• Pin		
3	3807688	1	• Fitting		
4	3807890	1	• Hose		
5	3852454	2	• Screw		
6	3587651	1	• Sealing kit		
7	3852550	1	• Seal		
8	3852576	2	• Stud		
9	3852546	4	• Stud		
10	3851975	1	• Plug		
11	3852555	1	• Retainer		
12	3852547	1	• Bearing		
13	3857087	1	• Seal		
14	3852564	1	• Tube		
15	3852121	1	• Lubricating nipple		
16	3852559	1	• Block		
17	3852169	1	• O-ring		
18	3852141	1	• Stud		
19	3852193	1	• Washer		
20	3852005	1	• Nut		
21	3852548	1	• Seal		
22	3853807	1	• Bearing		
23	3852379	1	Spindle arm		
24	3852554	1	Thrust washer		
25	3852585	1	Plate		
26	3852591	1	Screw		
27	3852004	4	Lock nut		
28	3857238	1	Cover		
29	3857146	4	Screw		
30	3857652	1	Decal		
31	3858192	1	Bracket		
32	3852151	3	Screw		
33	3852155	3	Washer		
34	3854130	X	Zinc anod		
			Bulletin P-44-1-1	P-44-1-1-EN	Anodes, SX AND DP-S
34	3855610	X	Magnesium anode		
	3586461	X	Anode, aluminum		
35	3852192	2	Screw		
36	3852061	2	Lock washer		
37	3852191	2	Washer		
38	3812383	X	Plate		
39	3856800	1	Hose		
40	3852537	1	O-ring		
41	3858631	1	Sealing kit	6251	