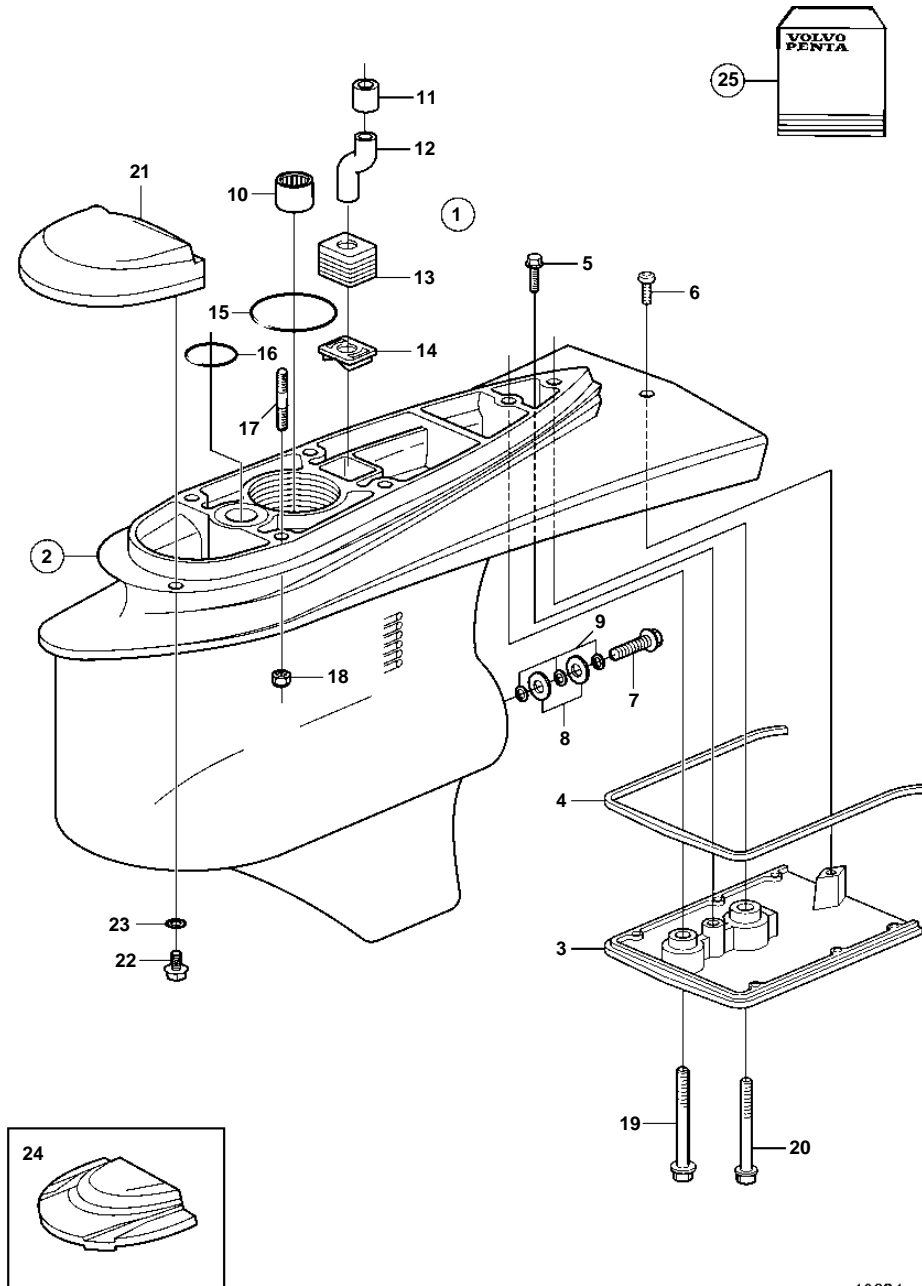


DP-SM, DP-SMTD, DP-SMTD1, DP-SMTD3



DP-SM, DP-SMTD, DP-SMTD1, DP-SMTD3

REF	PART NO.	QTY	DESCRIPTION	SEE SEC.	NOTES
1	3860765	1	Gear under, complete		2.32:1, 1.95:1
	3855907	1	Gear under, complete		2.11:1, 1.78:1
	3855906	1	Gear under, complete		1.68:1
2	3860732	1	Gear housing		
3	3855544	1	· Cover		
4	3854898	1	· Seal		
5	3855819	1	· Screw		
6	3855004	1	· Screw		
7	3855578	1	· Screw		
8	854096	2	· Magnet		
9	955893	3	· Washer		
10	184654	1	· Needle bearing	6231	
11	3852315	1	Seal		
12	3860252	1	Tube		
13	3854595	1	Seal		
14	3854601	1	Retainer		
15	3852866	1	O-ring		
16	3852959	1	O-ring		
17	941814	4	Stud	6240	
18	941885	4	Nut		
19	3852960	1	Screw		
20	3852349	1	Screw		
21	3855411	X	Zinc anod		
			Bulletin P-44-1-1	P-44-1-1-EN	Anodes, SX AND DP-S
21	3855412	X	Magnesium anode		
	3863193	X	Anode, aluminum		
22	3852186	2	Screw		
23	3852182	2	Lock washer		
24	3857857	X	Zinc anod		
	3857858	X	Magnesium anode		
		X	Anode, aluminum		
25	3856002	X	Sealing kit	6251	