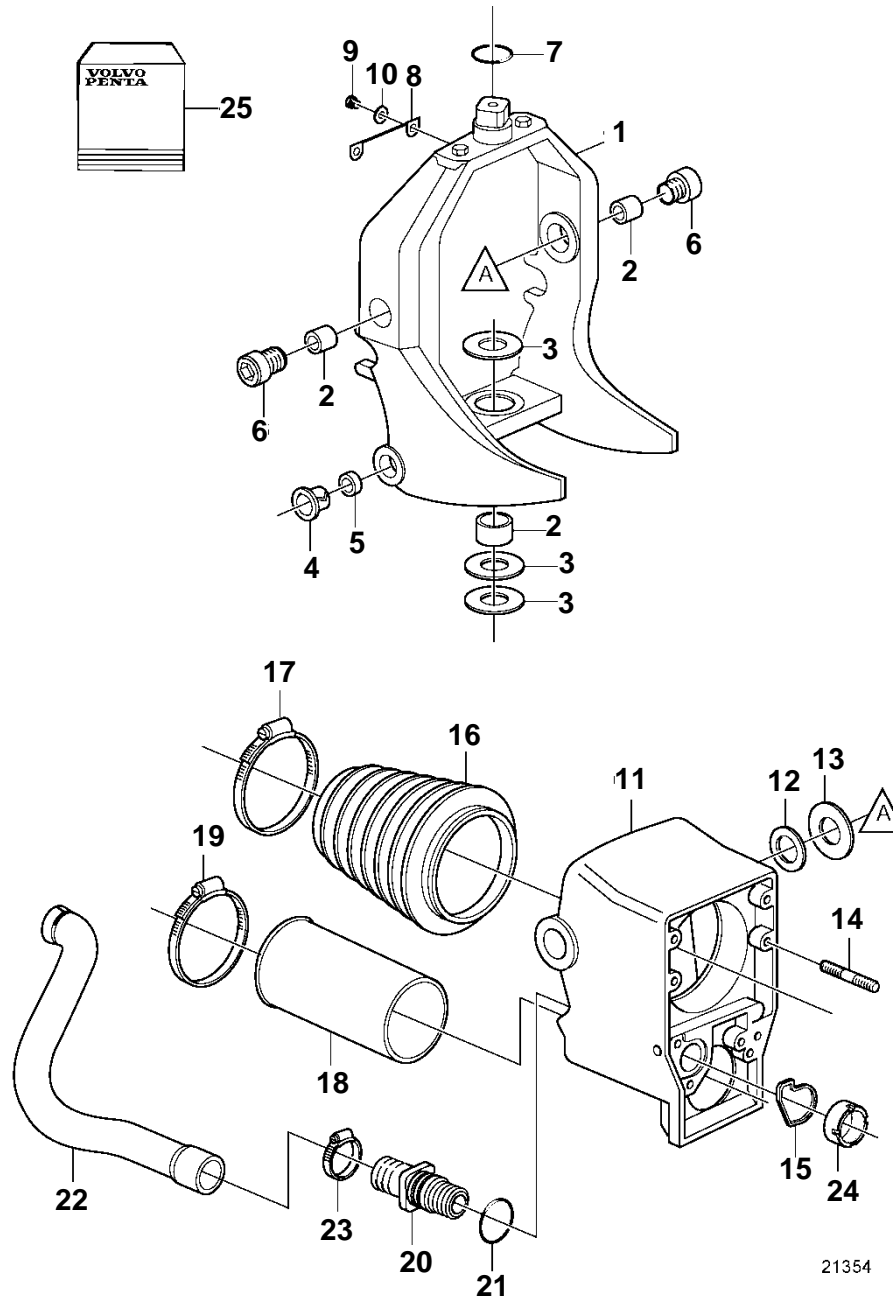


SX-MHP; LATER



21354

SX-MHP; LATER

REF	PART NO.	QTY	DESCRIPTION	SEE SEC.
1	3808368	1	Suspension fork	
2	3808228	3	· Bearing	
3	3852557	3	Thrust washer	
4	3853423	2	Bushing	
5	3853424	2	Grommet	
6	3852316	2	Screw	
7	3852044	1	O-ring	
8	3857347	1	Ground cable	
9	3852050	2	Screw	
10	3852193	2	Washer	
11	3807964	1	Housing	
12	3852697	2	· Thrust washer	
13	3852558	2	· Thrust washer	
14	3852551	6	· Stud	
15	3852560	1	· Seal	
16	3854127	1	Bellows	
17	3852604	1	Clamp	
18	3587641	1	Bellows	
19	3852603	1	Clamp	
20	3807819	1	Nipple	
21	983513	1	O-ring	
22	3807890	1	Hose	8011
23	3852602	1	Clamp	
24	3807821	1	Nut	
25	3858631	1	Sealing kit	6251