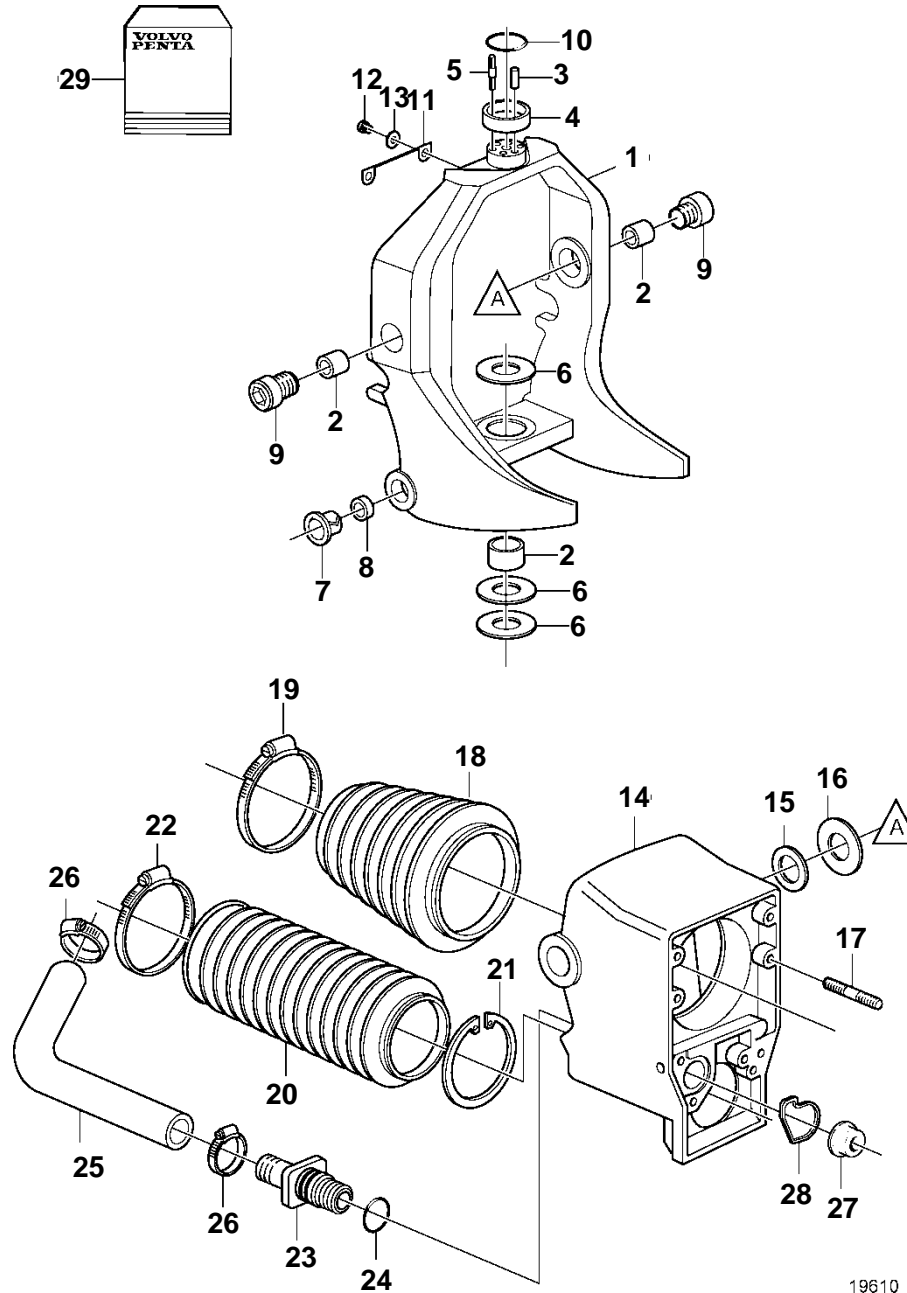


SX-M, SX-MACLT, SX-MDC; EARLY



SX-M, SX-MACLT, SX-MDC; EARLY

REF	PART NO.	QTY	DESCRIPTION	SEE SEC.
1	3856987	1	Suspension fork	
2	3852544	3	• Bearing	
3	3852545	2	• Locating pin	
4	3852571	1	• Sleeve	
5	3852588	4	• Stud	
6	3852557	3	Thrust washer	
7	3853423	2	Bushing	
8	3853424	2	Grommet	
9	3852316	2	Screw	
10	3852044	1	O-ring	
11	3857347	1	Ground cable	
12	3852050	2	Screw	
13	3852193	2	Washer	
14	3857979	1	Housing	
15	3852697	2	• Thrust washer	
16	3852558	2	• Thrust washer	
17	3852551	6	• Stud	
18	3854127	1	Bellows	
19	3852604	1	Clamp	
20	3850426	1	Rubber bellows	
21	3852665	1	Retainer	
22	3852603	1	Clamp	
23	3852533	1	Nipple	
24	3852535	1	O-ring	
25	3852352	1	Hose	
26	3852602	2	Clamp	
27	3852534	1	Nut	
28	3852560	1	Seal	
29	3858631	1	Sealing kit	6251