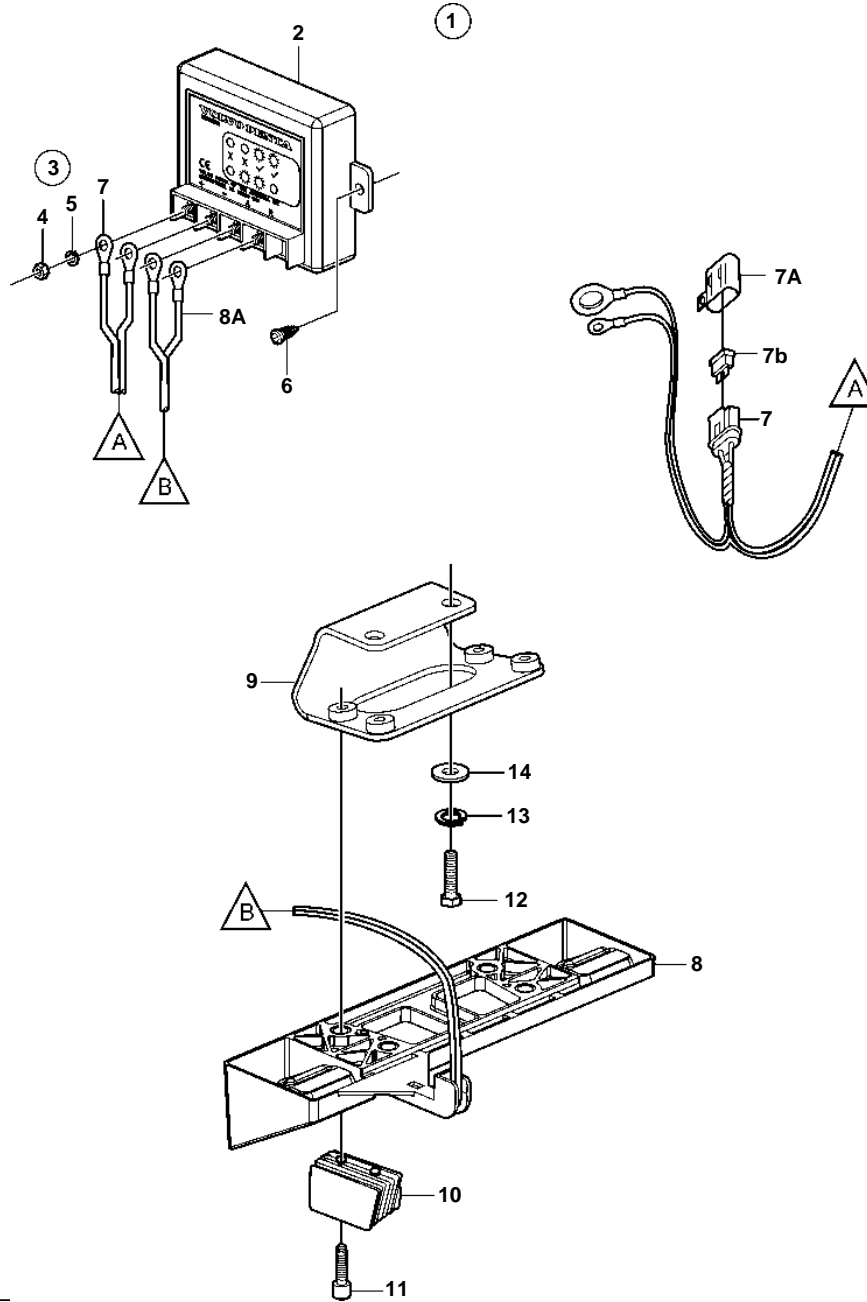


SX-M, SX-MLT, SX-MACLT, SX-MDA, SX-MDB; LATER



19615

19615

7744350 - 44 - 6238

Upd: 21 NOV 2005

**SX-M, SX-MLT, SX-MACLT, SX-MDA, SX-MDB; LATER**

REF	PART NO.	QTY	DESCRIPTION	NOTES
1	3862472	1	Corrosion protection	
2	3862332	1	· Electronic unit	
3	3856632	1	· Small parts kit	
4	940119	4	· · Nut	
5		4	· · Lock washer	
6		2	· · Screw	
7	3855793	1	· Cable	
7A	8072808	1	· · Cover	
7B	983966	1	· · Fuse	1 AMP
8	3862337	1	· Sensor	
8A		1	· · Cable	
9	3863309	1	· Bracket	
10	873395	2	· Zinc anod	
11	959422	4	· Screw	
12	3852192	2	Screw	
13	3852061	2	Lock washer	
14	3852191	2	Washer	