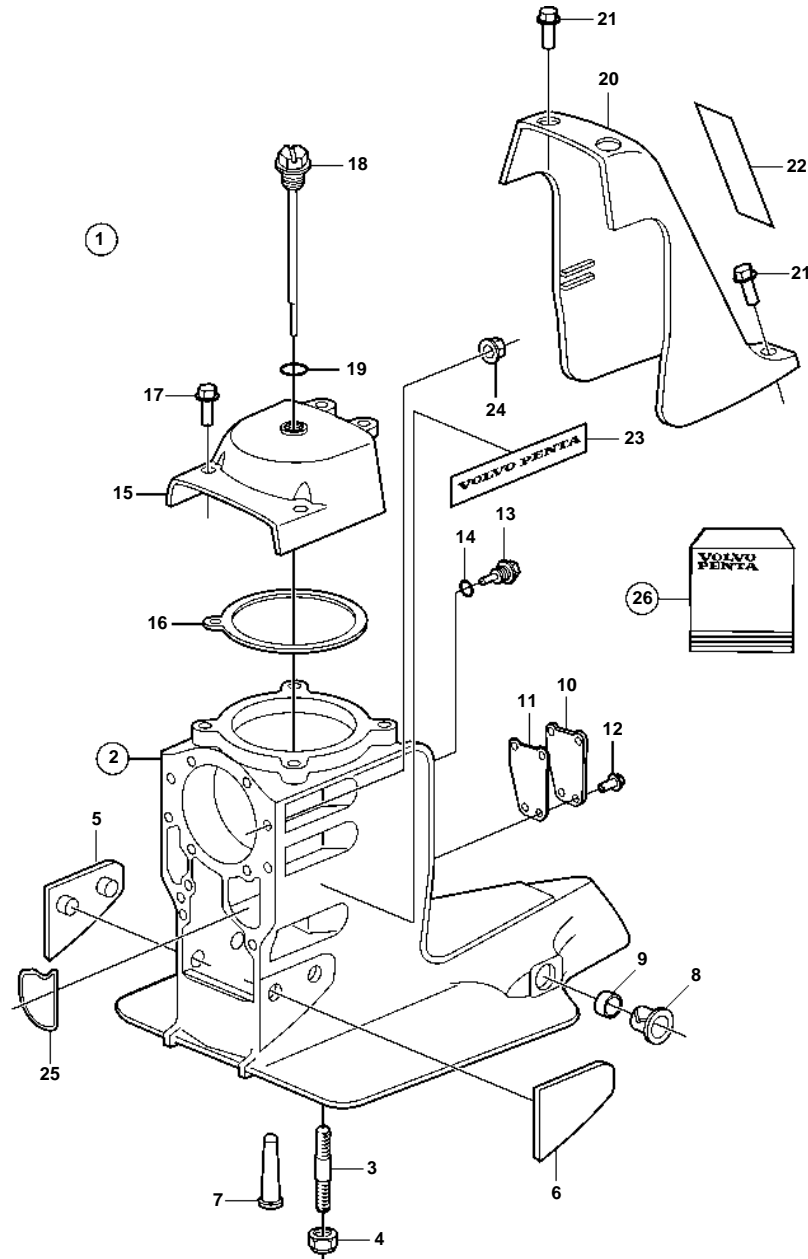


SX-M1 1.66, SX-M1 1.60, SX-M1 1.51, SX-M1 1.43



SX-M1 1.66, SX-M1 1.60, SX-M1 1.51, SX-M1 1.43

| REF | PART NO. | QTY | DESCRIPTION | NOTES |
|-----|----------|-----|-----------------|---|
| 1 | 3857007 | 1 | Upper gear unit | COMPLETE |
| 2 | 3855775 | 1 | Gear housing | |
| 3 | 941814 | 4 | · Stud | Included in gear housing assembly, used for DP-S. |
| 4 | 941885 | 4 | · Nut | Included in gear housing assembly, used for DP-S. |
| 5 | 3589524 | 1 | Plate | |
| 6 | 3589522 | 1 | Plate | |
| 7 | 3854021 | 1 | Strainer | |
| 8 | 3853423 | 2 | Bushing | |
| 9 | 3853424 | 2 | Grommet | |
| 10 | 3812478 | 1 | Plate | |
| 11 | 3812476 | 1 | Gasket | |
| 12 | 3852373 | 4 | Screw | |
| 13 | 3854539 | 1 | Plug | |
| 14 | 3855081 | 1 | · O-ring | |
| 15 | 3854401 | 1 | Bearing cover | |
| 16 | 3852317 | 1 | Gasket | |
| 17 | 3852454 | 4 | Screw | |
| 18 | 3854847 | 1 | Oil dipstick | |
| 19 | 3852045 | 1 | O-ring | |
| 20 | 3852418 | 1 | Cover | |
| 21 | 3852568 | 3 | Screw | |
| 22 | 3858670 | 1 | Decal | Volvo Penta SX |
| 23 | 3858671 | 2 | Decal | Volvo Penta |
| 24 | 3853329 | 6 | Nut | |
| 25 | 3852560 | 1 | Seal | |
| 26 | 3850594 | 1 | Sealing kit | |