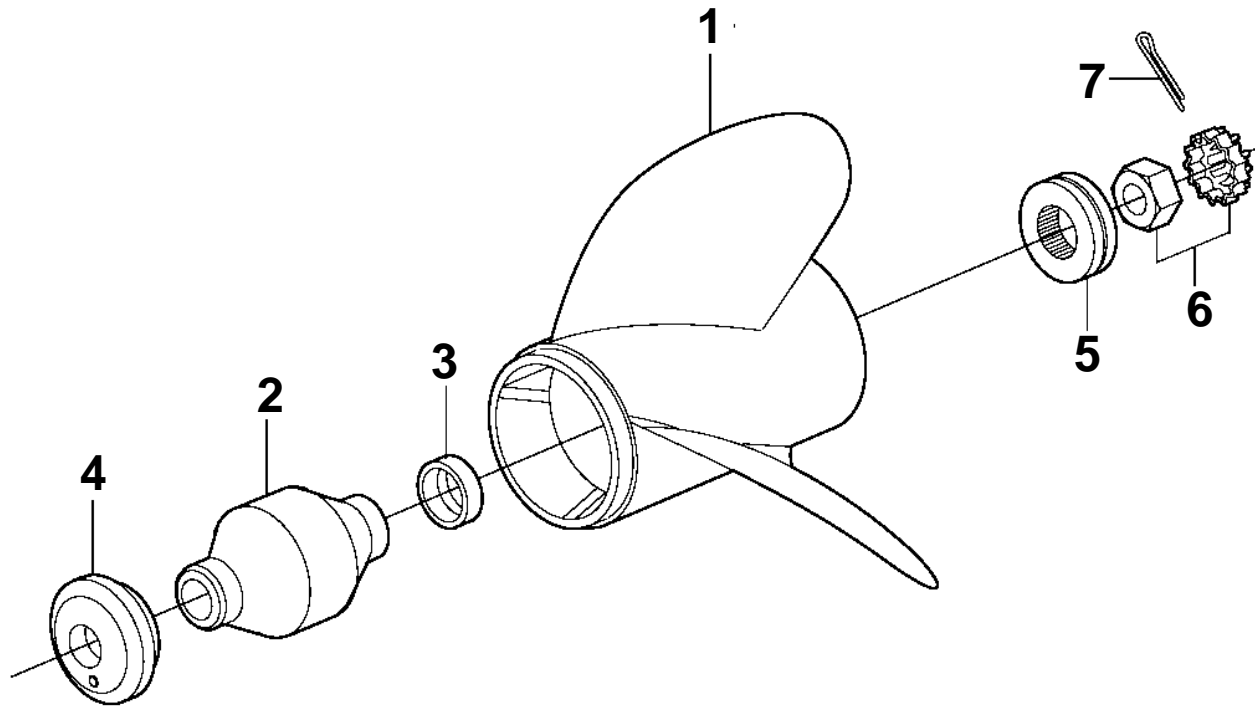


SX-M1



SX-M1

REF	PART NO.	QTY	DESCRIPTION	NOTES
1	3862462	X	Propeller	RH, 14.75 X 17
	3860708	X	Propeller	RH, 14.75 X 19
	3860709	X	Propeller	RH, 14.75 X 21
	3860710	X	Propeller	RH, 14.25 X 23
	3860714	X	Propeller	LH, 14.75 X 17
	3860715	X	Propeller	LH, 14.75 X 19
	3860716	X	Propeller	LH, 14.75 X 21
	3860717	X	Propeller	LH, 14.25 X 23
2	3862086	1	· Propeller bushing	
3	3850831	1	· · Sleeve	
4	3852020	1	Bushing	
5	3852350	1	Spacer	
6	3850984	1	Propeller nut	
		1	· Nut	
		1	· Retainer	
7	3852056	1	Cotter pin	