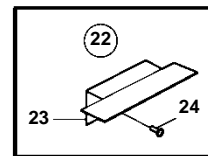
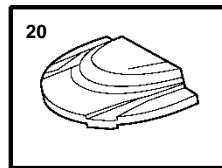
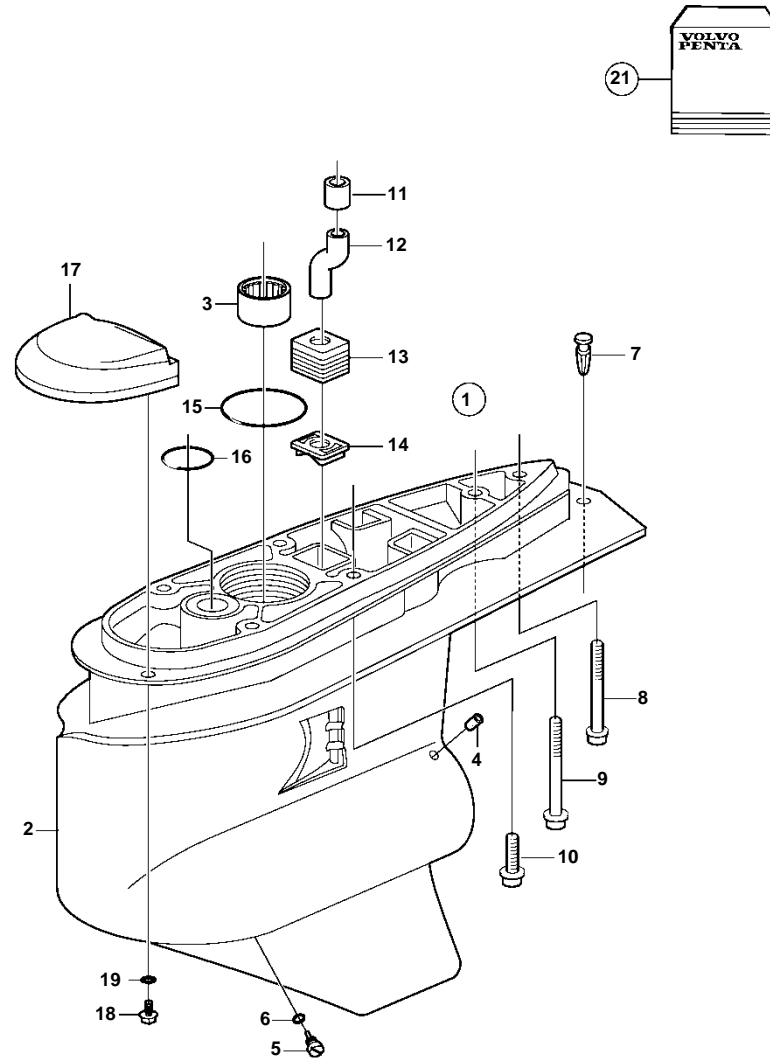


SX-M1



SX-M1

REF	PART NO.	QTY	DESCRIPTION	SEE SEC.	NOTES
1	3855692	1	Gear under, complete		1.43:1
	3855693	1	Gear under, complete		1.51:1 & 1.79:1
	3855694	1	Gear under, complete		1.60:1 & 1.89:1
	3855695	1	Gear under, complete		1.66:1 & 1.97:1
	3855696	1	Gear under, complete		2.18:1
2	3855363	1	Gear housing		
3	3853934	1	• Roller bearing		
4	3853272	1	Screw		
5	3854539	1	Plug		
6	3855081	1	• O-ring		
7	3850662	1	Plug		
8	3854805	1	Screw		
9	3854806	1	Screw		
10	3854807	4	Screw		
11	3852315	1	Seal		
12	3860252	1	Tube		
13	3854595	1	Seal		
14	3854601	1	Retainer		
15	3852866	1	O-ring		
16	3852959	1	O-ring		
17	3855411	X	Zinc anod		
			Bulletin P-44-1-1	P-44-1-1-EN	Anodes, SX AND DP-S
17	3855412	X	Magnesium anode		
	3863193	X	Anode, aluminum		
18	3852186	2	Screw		
19	3852182	2	Lock washer		
20	3857857	X	Zinc anod		
	3857858	X	Magnesium anode		
21	3855275	X	Sealing kit		
22	3856171	X	Kit		EXHAUST BLOCK-OFF
23		2	• Bracket		
24	804269	4	• Rivet		