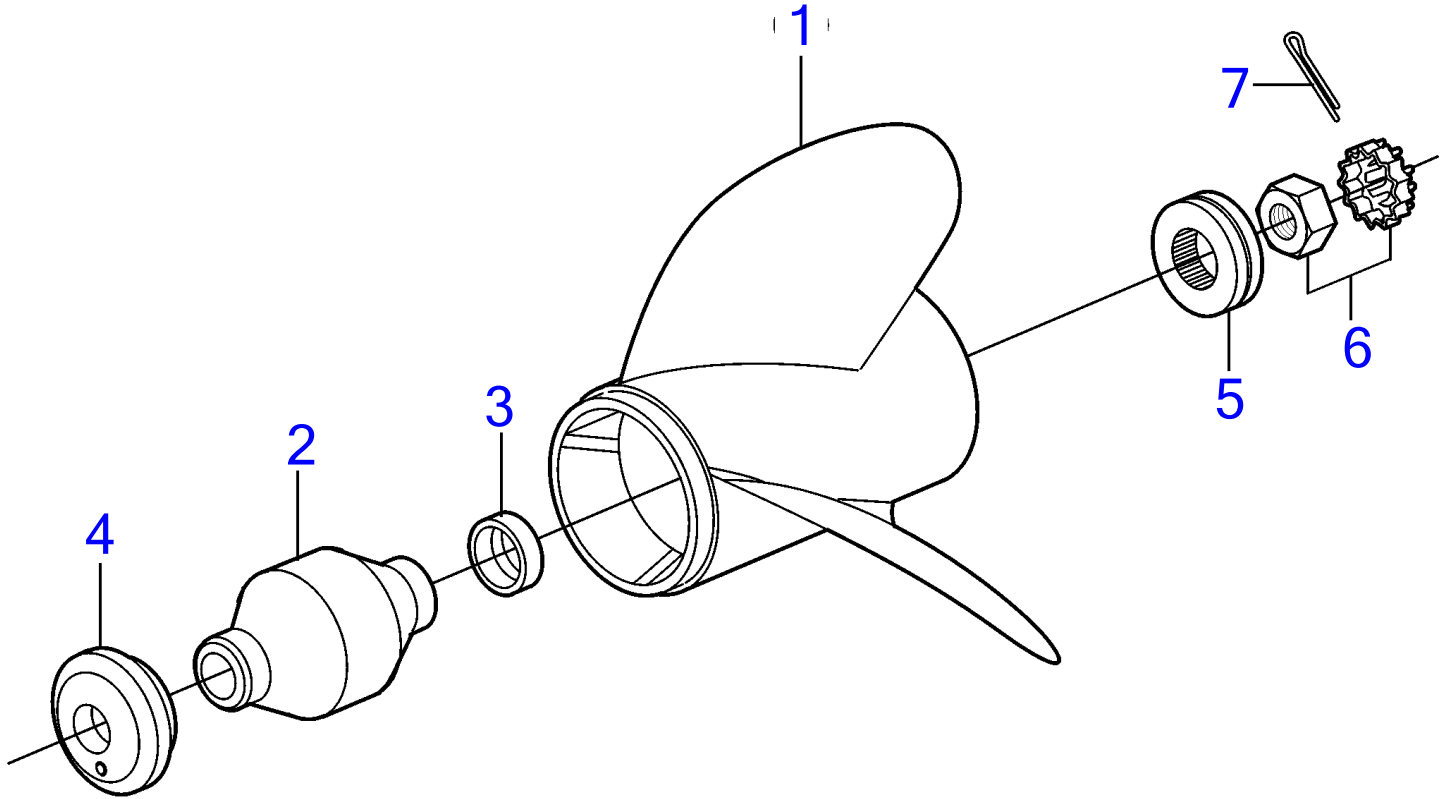


SX-M1 1.43, SX-M1 1.51, SX-M1 1.60, SX-M1 1.66, SX-M1 1.79, SX-M1 1.89, SX-M1 1.97, SX-M1 2.18



21270

SX-M1 1.43, SX-M1 1.51, SX-M1 1.60, SX-M1 1.66, SX-M1 1.79, SX-M1 1.89, SX-M1 1.97, SX-M1 2.18

REF	PART NO.	QTY	DESCRIPTION	NOTES
1	3817469	1	Propeller	RH, 14.25 X 21
	3817470	1	Propeller	RH, 14.25 X 23
	3817468	1	Propeller	RH, 14.5 X 19
	3817473	1	Propeller	LH, 14.5 x 19
	3817467	1	Propeller	RH, 15 X 17
	3817472	1	Propeller	LH, 15 x 17
	3855476	1	Propeller	LH, 15.5 x 12
	3840720	1	Propeller	RH 16X13
	3855477	1	Propeller	LH, 15.5 x 13
	3855478	1	Propeller	LH, 15.5 x 14
	3817466	1	Propeller	RH, 15 x 15
	3855479	1	Propeller	LH, 15.5 x 15
	3817471	1	Propeller	LH, 15 x 15
2	3862086	1	• Bushing	
3	3850831	1	• • Sleeve	
4	3852020	1	Bushing	
5	3852350	1	Spacer	
6	3850984	1	Propeller nut	
		1	• Nut	
		1	• Retainer	
7	3852056	1	Split pin	