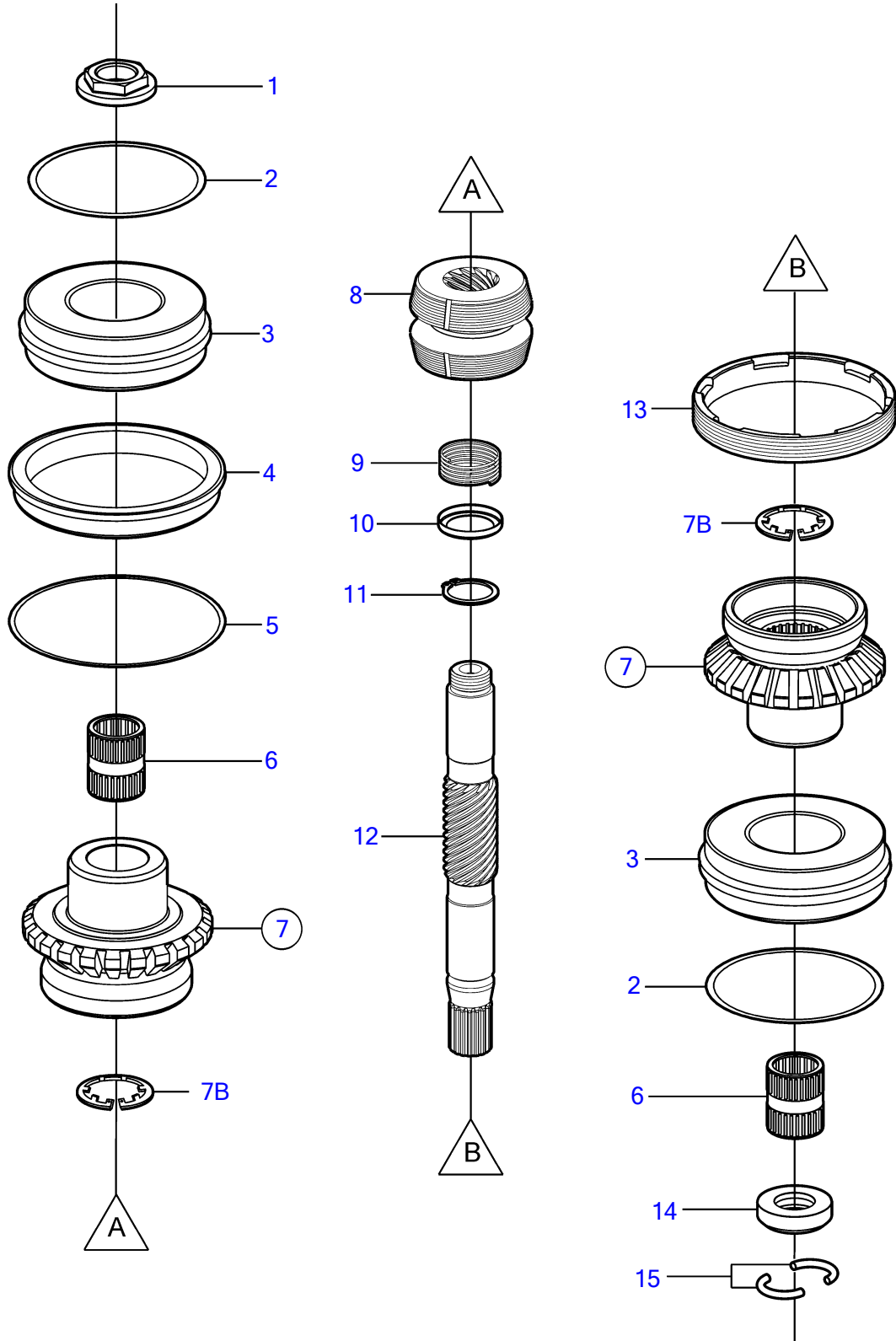


SX-M 1.79, SX-M 1.89, SX-M 1.97, SX-M 2.18, SX-MTD 1.79, SX-MTD 2.18



SX-M 1.79, SX-M 1.89, SX-M 1.97, SX-M 2.18, SX-MTD 1.79, SX-MTD 2.18

| REF | PART NO. | QTY | DESCRIPTION | SEE SEC. | NOTES |
|-----|-----------|-----|----------------------|--------------|-----------------------------------|
| 1 | 3852301 | X | Nut | | TH=0.00 |
| | 3852302 | X | Nut | | TH=0.20mm |
| | 3852303 | X | Nut | | TH=0.40mm |
| | 3852375 | X | Nut | | TH=0.60mm |
| 2 | 3852368 | X | Shim | | TH=0.002" |
| | (3852369) | X | Shim | | Obsolete part, TH=0.003" |
| | 3852370 | X | Shim | | TH=0.004" |
| | 3852371 | X | Shim | | TH=0.005" |
| | 3852372 | X | Shim | | TH=0.010" |
| 3 | 3857176 | 2 | Kit | | |
| 4 | 3852269 | 1 | Ring | | |
| 5 | 3852363 | X | Shim | | TH=0.002" |
| | 3852364 | X | Shim | | TH=0.003" |
| | (3852365) | X | Shim | | Obsolete part, TH=0.004" |
| | 3852366 | X | Shim | | TH=0.005" |
| | 3852367 | X | Shim | | TH=0.010" |
| 6 | 3852390 | 2 | Bearing | | |
| 7 | 3856996 | 1 | Gear set | | replaced by next part number |
| | 21130693 | 1 | Kit | | Contains gear set, sliding sleeve |
| 7B | 190356 | 2 | • Snap ring | | |
| 8 | 3855783 | 1 | Sliding sleeve | | replaced by next part number |
| | | | • Bulletin P-44-1-18 | P-44-1-18-EN | Shift Cone |
| 8 | 3807613 | 1 | Sliding sleeve | | |
| 9 | 3852296 | 1 | Spring | | Not used on later versions. |
| 10 | 3852298 | 1 | Spacer | | Not used on later versions. |
| 11 | 951078 | 1 | Snap ring | | Not used on later versions. |
| 12 | 3852292 | 1 | Shaft | | |
| 13 | 3852262 | 1 | Ring | | |
| 14 | 3852294 | 1 | Ring | | |
| 15 | 3852295 | 2 | Locking clip | | |