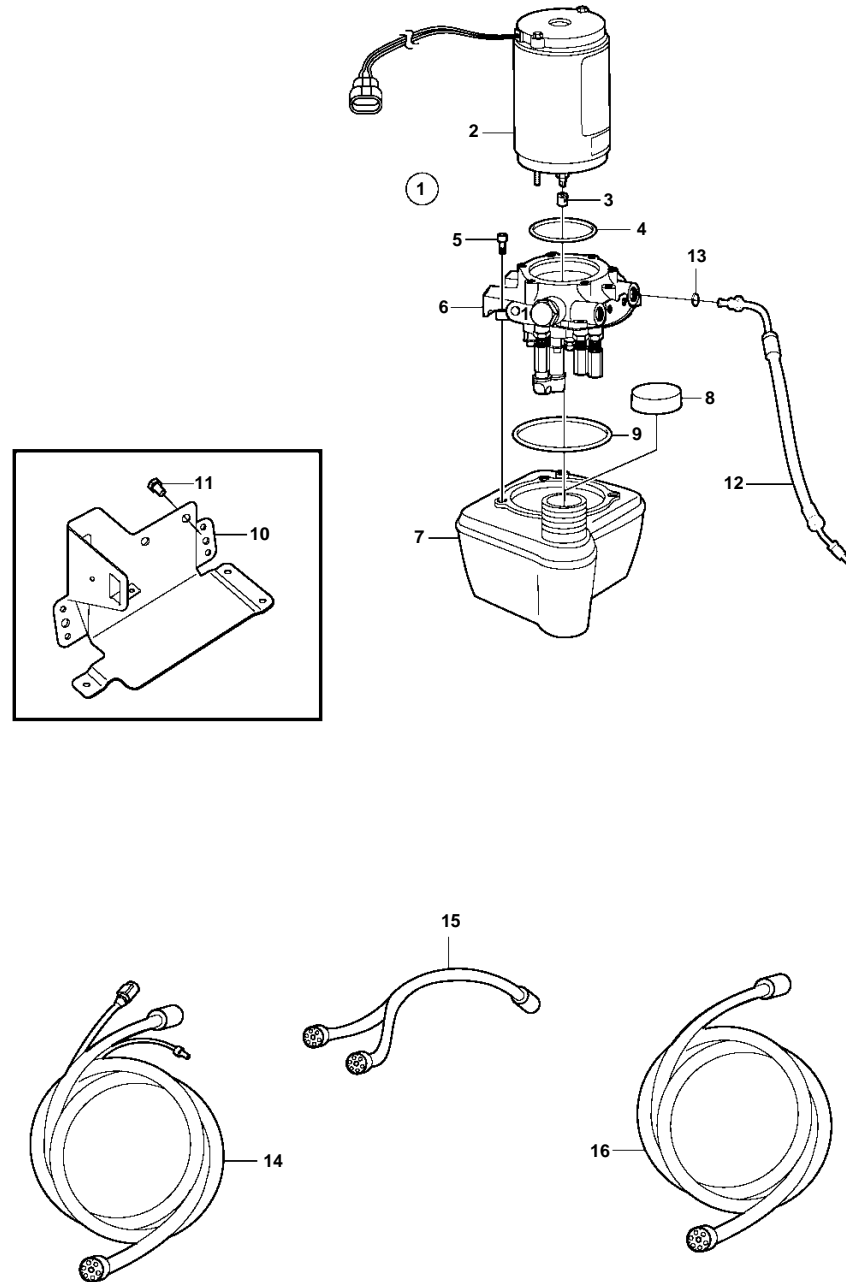


SX-M, SX-MACLT, SX-MBAC, SX-MHP



SX-M, SX-MACLT, SX-MBAC, SX-MHP

| REF | PART NO. | QTY | DESCRIPTION | NOTES |
|-----|----------|-----|---------------------|--------------|
| 1 | 3819846 | 1 | Pump, trim | |
| 2 | 3861575 | 1 | · Electrical motor | |
| 3 | 3861577 | 1 | · Connector | |
| 4 | 3861578 | 1 | · O-ring | |
| 5 | 3861574 | 4 | · Screw | |
| 6 | | 1 | · Valve body | NOT SERVICED |
| 7 | 3861570 | 1 | · Reservoir | |
| 8 | 3861572 | 1 | · · Cap | |
| 9 | 3861573 | 1 | · · O-ring | |
| 10 | 3858083 | 1 | · Bracket | |
| 11 | 971017 | 2 | · Hexagon screw | |
| 12 | 3853825 | 2 | Hydraulic hose | |
| 13 | 3852165 | 4 | O-ring | |
| 14 | 3855709 | X | Cable harness, trim | 5m |
| | 3855708 | X | Cable harness, trim | 7m |
| 15 | 3855712 | X | Cable harness, trim | Y |
| 16 | 3855710 | X | Cable harness, trim | 3m |
| | 3855711 | X | Cable harness, trim | 5m |