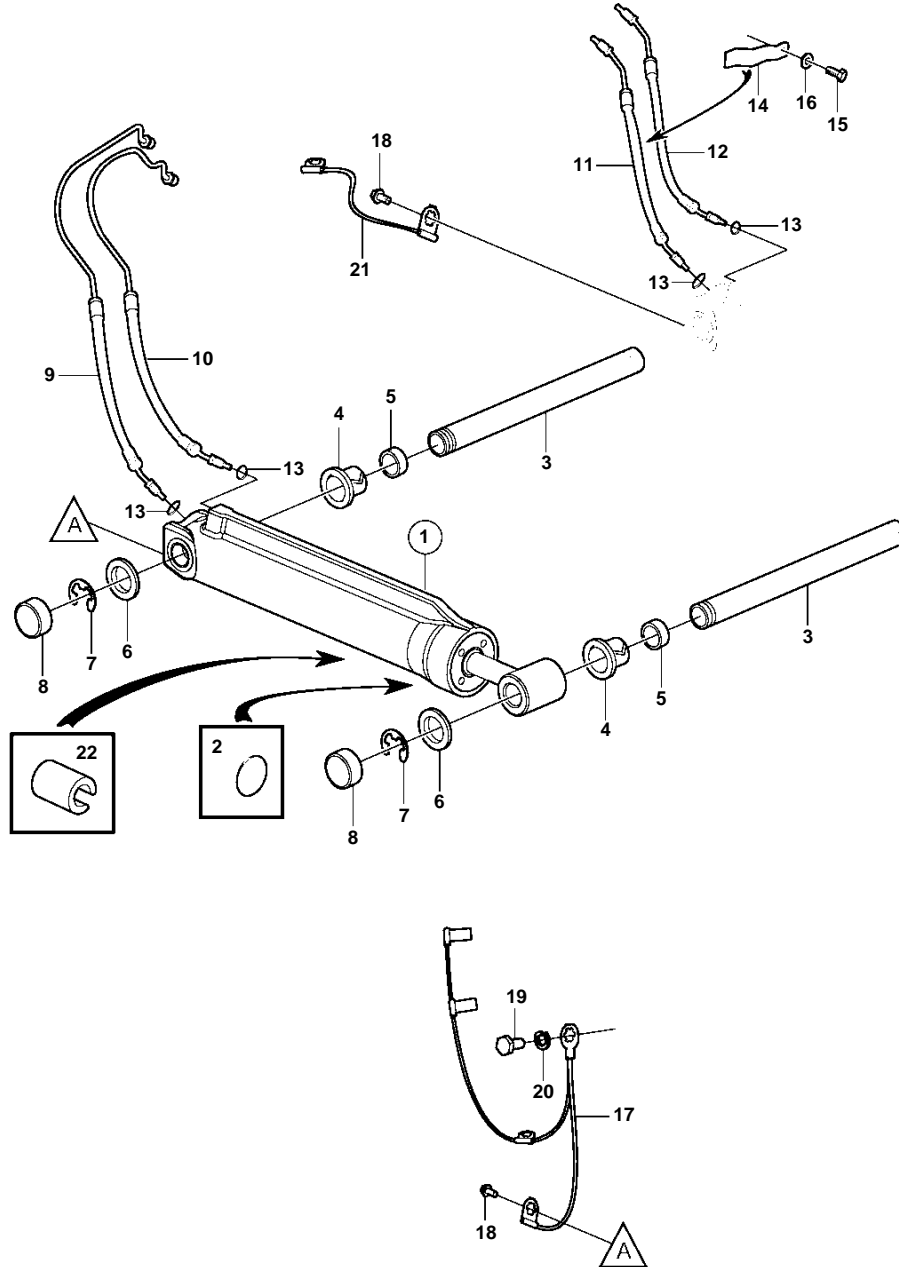


SX-M, SX-MBAC, SX-MHP



SX-M, SX-MBAC, SX-MHP

REF	PART NO.	QTY	DESCRIPTION
1	3857470	2	Trimming cylinder
2	888864	2	• O-ring
3	3857431	2	Pivot pin
4	3853423	4	Bushing
5	3853424	4	Grommet
6	3857588	4	Washer
7	3857521	4	Clip
8	3857522	4	Cap
9	3857523	1	Oil line
10	3853857	1	Oil line
11	3857524	1	Oil line
12	3853855	1	Oil line
13	3852165	12	O-ring
14	3852354	2	Clamp
15	3852201	2	Screw
16	3852191	2	Washer
17	3808078	1	Ground cable
18	3852568	2	Screw
19	3852050	1	Screw
20	3852193	1	Washer
21	3853849	1	Ground cable
22	3857589	X	Trimming limiter
		2	• Spacer