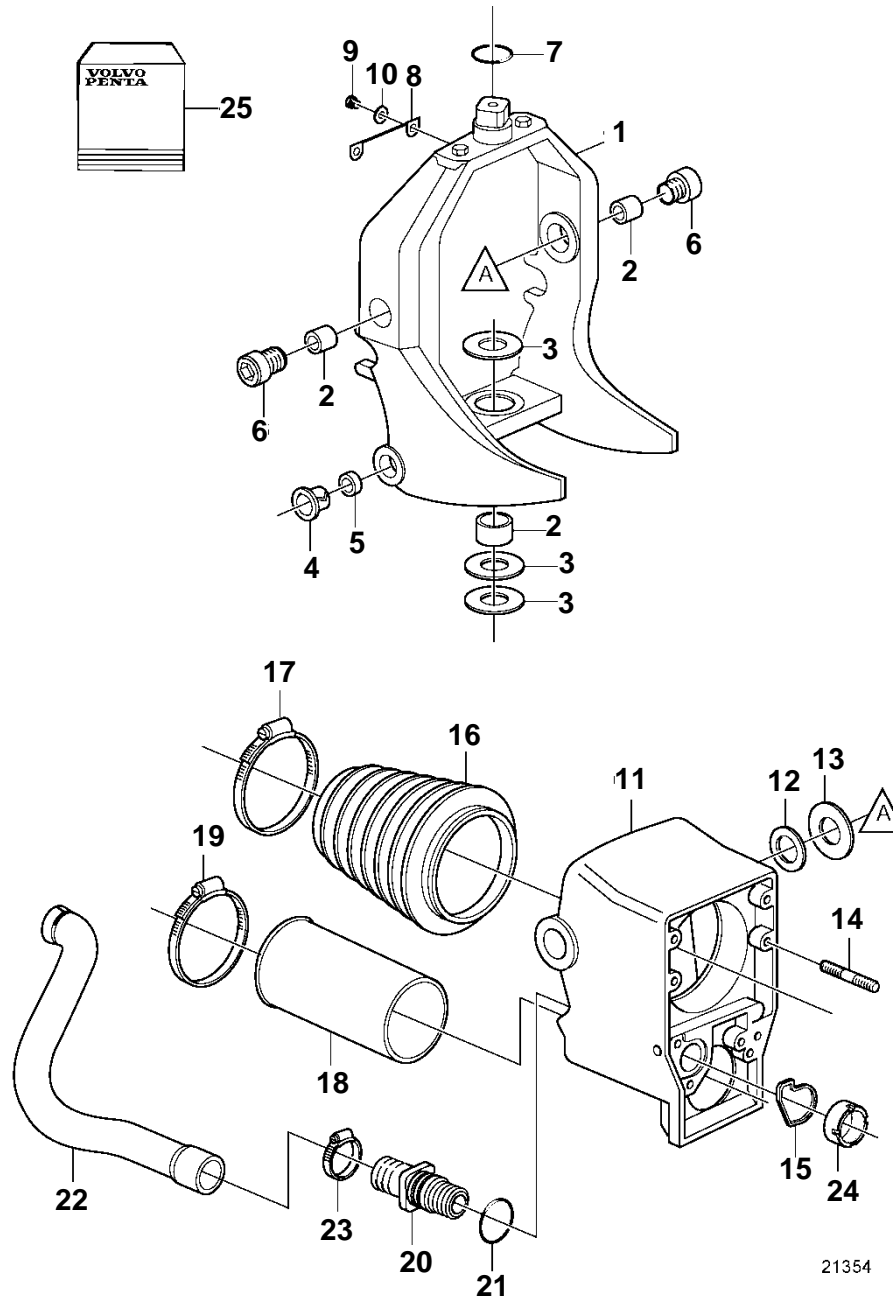


SX-MHP



21354

SX-MHP

REF	PART NO.	QTY	DESCRIPTION
1	3808368	1	Suspension fork
2	3808228	3	· Bearing
3	3852557	3	Thrust washer
4	3853423	2	Bushing
5	3853424	2	Grommet
6	3852316	2	Screw
7	3852044	1	O-ring
8	3857347	1	Ground cable
9	3852050	2	Screw
10	3852193	2	Washer
11	3807964	1	Housing
12	3852697	2	· Thrust washer
13	3852558	2	· Thrust washer
14	3852551	6	· Stud
15	3852560	1	· Seal
16	3854127	1	Bellows
17	3852604	1	Clamp
18	3587641	1	Bellows
19	3852603	1	Clamp
20	3807819	1	Nipple
21	983513	1	O-ring
22	3807890	1	Hose
23	3852602	1	Clamp
24	3807821	1	Nut
25	3858631	1	Sealing kit