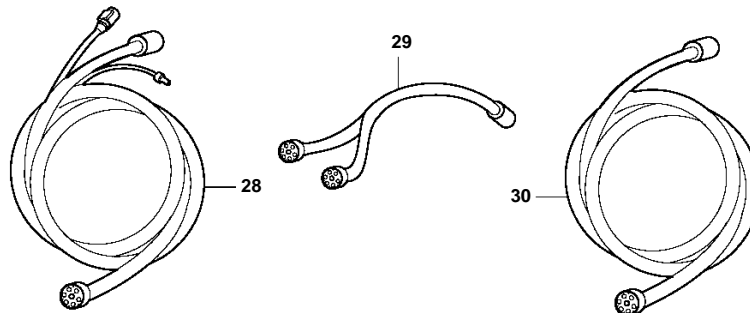
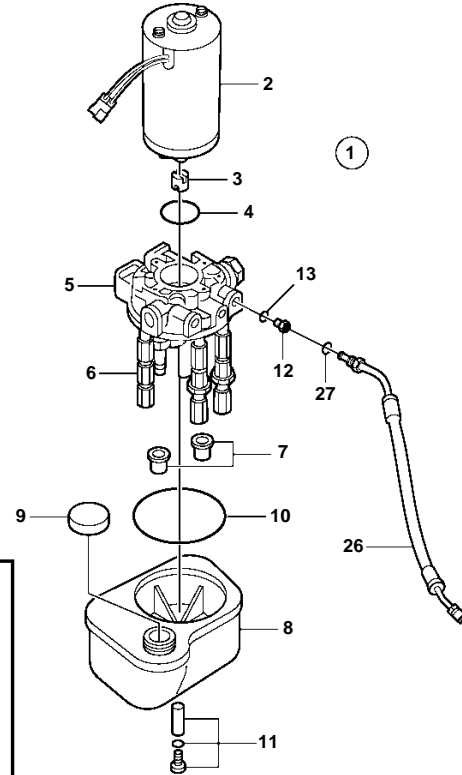
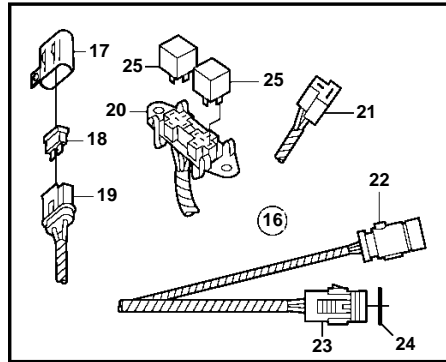
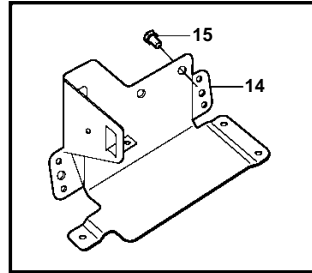


SX-M, SX-MLT, SX-MACLT, SX-MHP, SX-MDA, SX-MDB



SX-M, SX-MLT, SX-MACLT, SX-MHP, SX-MDA, SX-MDB

REF	PART NO.	QTY	DESCRIPTION	NOTES
1	3858069	1	Hydraulic pump, trim	REPL BY 3860879
2	3858071	1	• Electrical motor	
3	3858072	1	• Connector	
4	3858073	1	• O-ring	
5	3858074	1	• Adapter	
6	3858075	1	• Pump	
7	3858076	1	• Filter	
8		1	• Oil reservoir	
9	3858079	1	• Cap	
10	3858078	1	• Seal	
11	3858080	1	• Kit	ATTACHING HARDWARE
12	3850095	2	• Fitting	
13	3858775	2	• O-ring	
14	3858083	1	• Bracket	
15	971017	2	• Hexagon screw	
16	3857345	1	• Cable	
17	8072808	1	• • Cover	
18	967545	1	• • Fuse	10 AMP
19	8166029	1	• • Connector	
	3852254	2	• • Cable terminal	
20	3852210	1	• • Bracket	
	3852246	4	• • Cable terminal	
	3852247	6	• • Cable terminal	
21	3858809	2	• • Relay	
	958210	1	• • Receptacle housing	
	3852247	2	• • Cable terminal	
22		1	• • Connector	NOT SERVICED
23	3852250	1	• • Connector	
	3852251	1	• • Plug	
	3852253	2	• • Cable terminal	
24	3852537	1	• • O-ring	
25	3858809	2	• Relay	
26	3853825	2	Hydraulic hose	
27	3852165	4	O-ring	
28	3855709	X	Cable harness, trim	5m
	3855708	X	Cable harness, trim	7m
29	3855712	X	Cable harness, trim	Y
30	3855710	X	Cable harness, trim	3m
	3855711	X	Cable harness, trim	5m