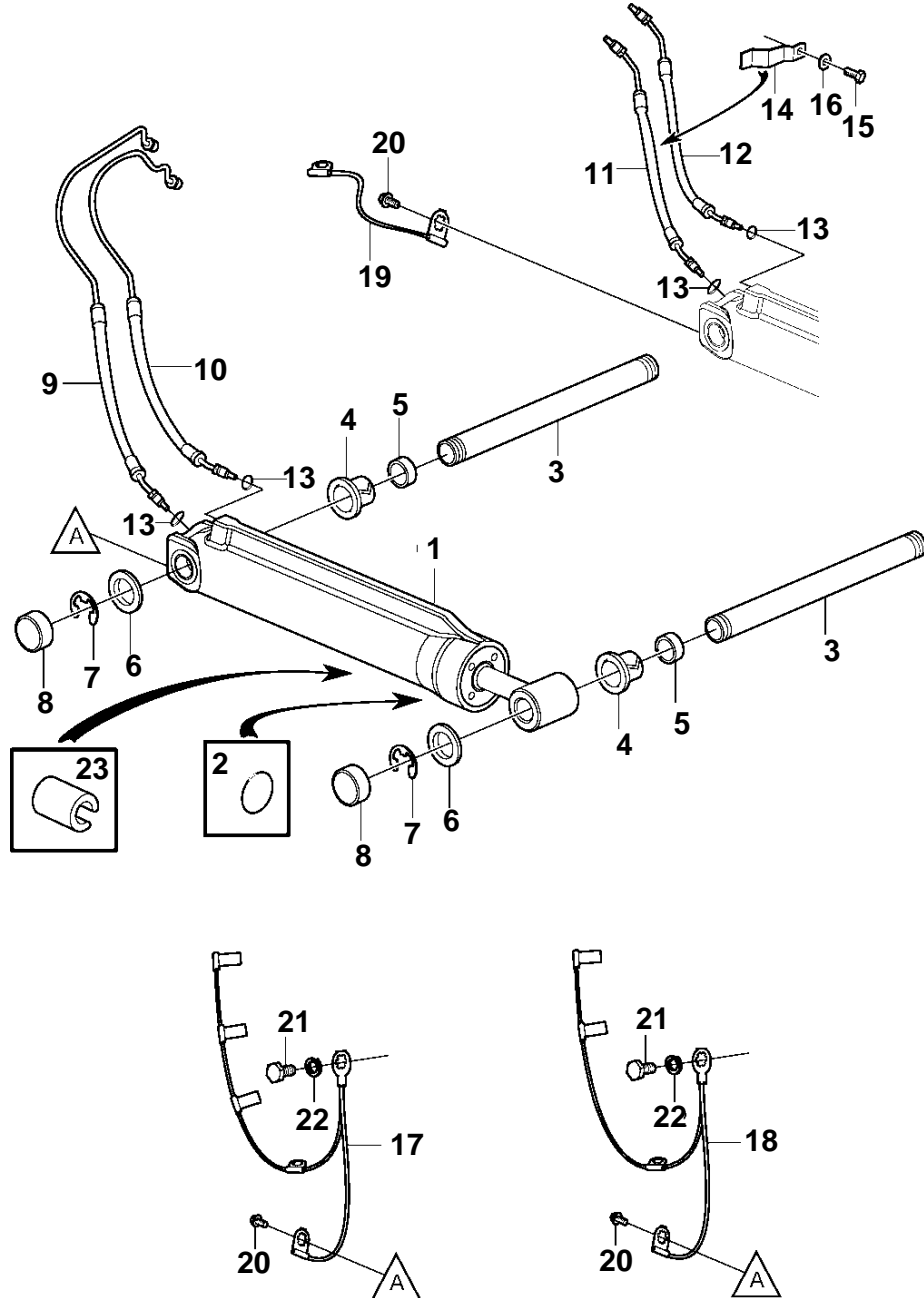


SX-MACLT, SX-MLT



## SX-MACLT, SX-MLT

REF	PART NO.	QTY	DESCRIPTION	NOTES
1	3857471	2	Trimming cylinder	
2	888864	2	• O-ring	
3	3857431	2	Pivot pin	
4	3853423	4	Bushing	
5	3853424	4	Grommet	
6	3857588	4	Washer	
7	3857521	4	Clip	
8	3857522	4	Cap	
9	3857523	1	Oil line	
10	3853857	1	Oil line	
11	3857524	1	Oil line	
12	3853855	1	Oil line	
13	3852165	12	O-ring	
14	3852354	2	Clamp	
15	3852201	2	Screw	
16	3852191	2	Washer	
17	3853848	1	Ground cable	EARLIER PROD
18	3808078	1	Ground cable	LATER PROD
19	3853849	1	Ground cable	
20	3852568	2	Screw	
21	3852050	1	Screw	
22	3852193	1	Washer	
23	3857589	X	Trimming limiter	
		2	• Spacer	