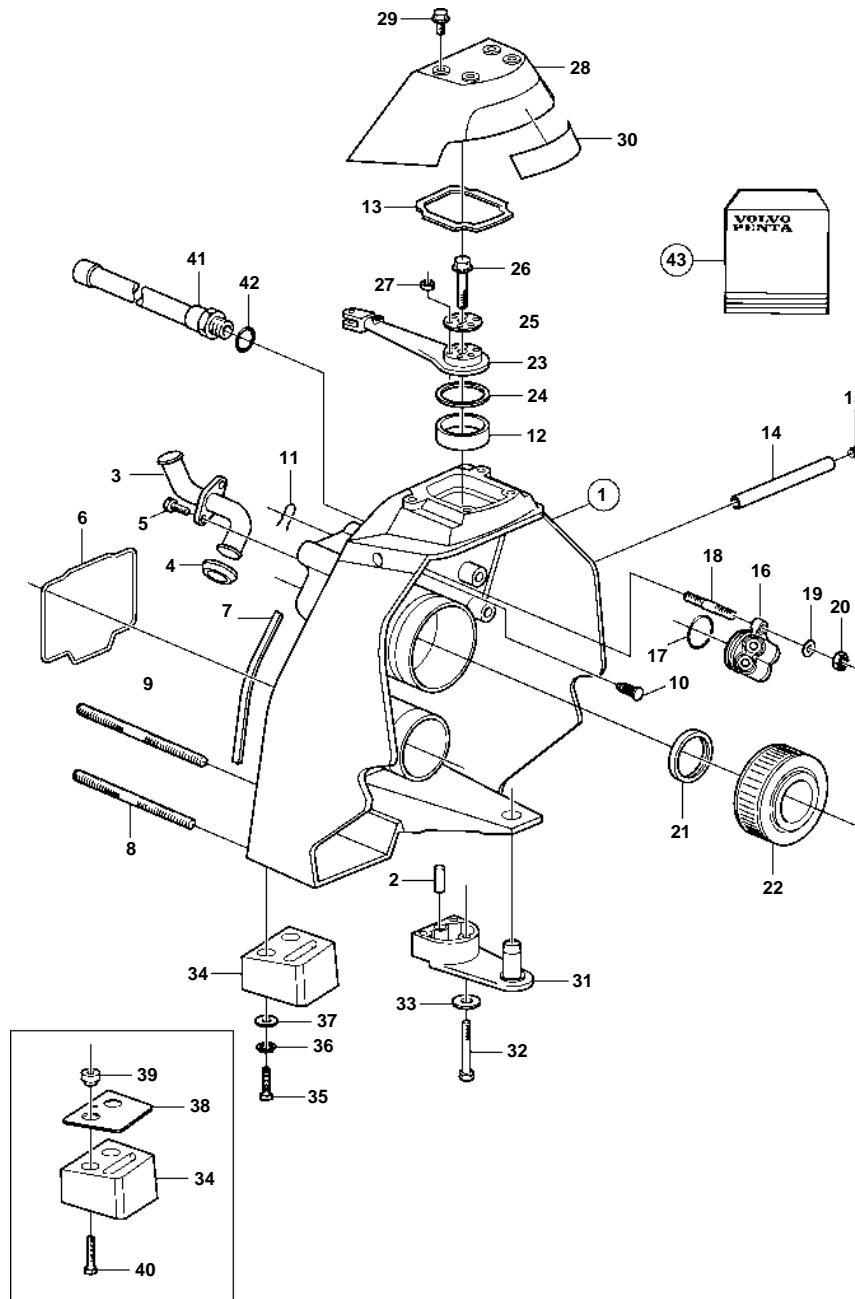


SX-MLT, SX-MDA



19609

SX-MLT, SX-MDA

| REF | PART NO. | QTY | DESCRIPTION | SEE SEC. | NOTES |
|-----|----------|-----|----------------------|-------------|---------------------|
| 1 | 3856990 | 1 | Housing | | |
| 2 | 3852549 | 1 | • Pin | | |
| 3 | 3807688 | 1 | • Fitting | | |
| 4 | 3807890 | 1 | • Hose | | |
| 5 | 3852454 | 2 | • Screw | | |
| 6 | 3587651 | 1 | Sealing kit | | |
| 7 | 3852550 | 1 | • Seal | | |
| 8 | 3852576 | 2 | • Stud | | |
| 9 | 3852546 | 4 | • Stud | | |
| 10 | 3851975 | 1 | • Plug | | |
| 11 | 3852555 | 1 | • Retainer | | |
| 12 | 3852547 | 1 | • Bearing | | |
| 13 | 3857087 | 1 | • Seal | | |
| 14 | 3852564 | 1 | • Tube | | |
| 15 | 3852121 | 1 | • Lubricating nipple | | |
| 16 | 3852559 | 1 | • Block | | |
| 17 | 3852169 | 1 | • O-ring | | |
| 18 | 3852141 | 1 | • Stud | | |
| 19 | 3852193 | 1 | • Washer | | |
| 20 | 3852005 | 1 | • Nut | | |
| 21 | 3852548 | 1 | • Seal | | |
| 22 | 3853807 | 1 | • Bearing | | |
| 23 | 3852379 | 1 | Spindle arm | | |
| 24 | 3852554 | 1 | Thrust washer | | |
| 25 | 3852585 | 1 | Plate | | |
| 26 | 3852591 | 1 | Screw | | |
| 27 | 3852004 | 4 | Lock nut | | |
| 28 | 3857238 | 1 | Cover | | |
| 29 | 3857146 | 4 | Screw | | |
| 30 | 3857652 | 1 | Decal | | |
| 31 | 3858192 | 1 | Bracket | | |
| 32 | 3852151 | 3 | Screw | | |
| 33 | 3852155 | 3 | Washer | | |
| 34 | 3854130 | X | Zinc anod | | |
| | | | Bulletin P-44-1-1 | P-44-1-1-EN | Anodes, SX AND DP-S |
| 34 | 3855610 | X | Magnesium anode | | |
| | 3586461 | X | Anode, aluminum | | |
| 35 | 3852192 | 2 | Screw | | |
| 36 | 3852061 | 2 | Lock washer | | |
| 37 | 3852191 | 2 | Washer | | |
| 38 | 3858542 | X | Plate | | |
| 39 | 3851823 | X | Spacer | | |
| 40 | 940173 | X | Screw | | |
| 41 | 3856800 | 1 | Hose | | |
| 42 | 3852537 | 1 | O-ring | | |
| 43 | 3858631 | 1 | Sealing kit | | |