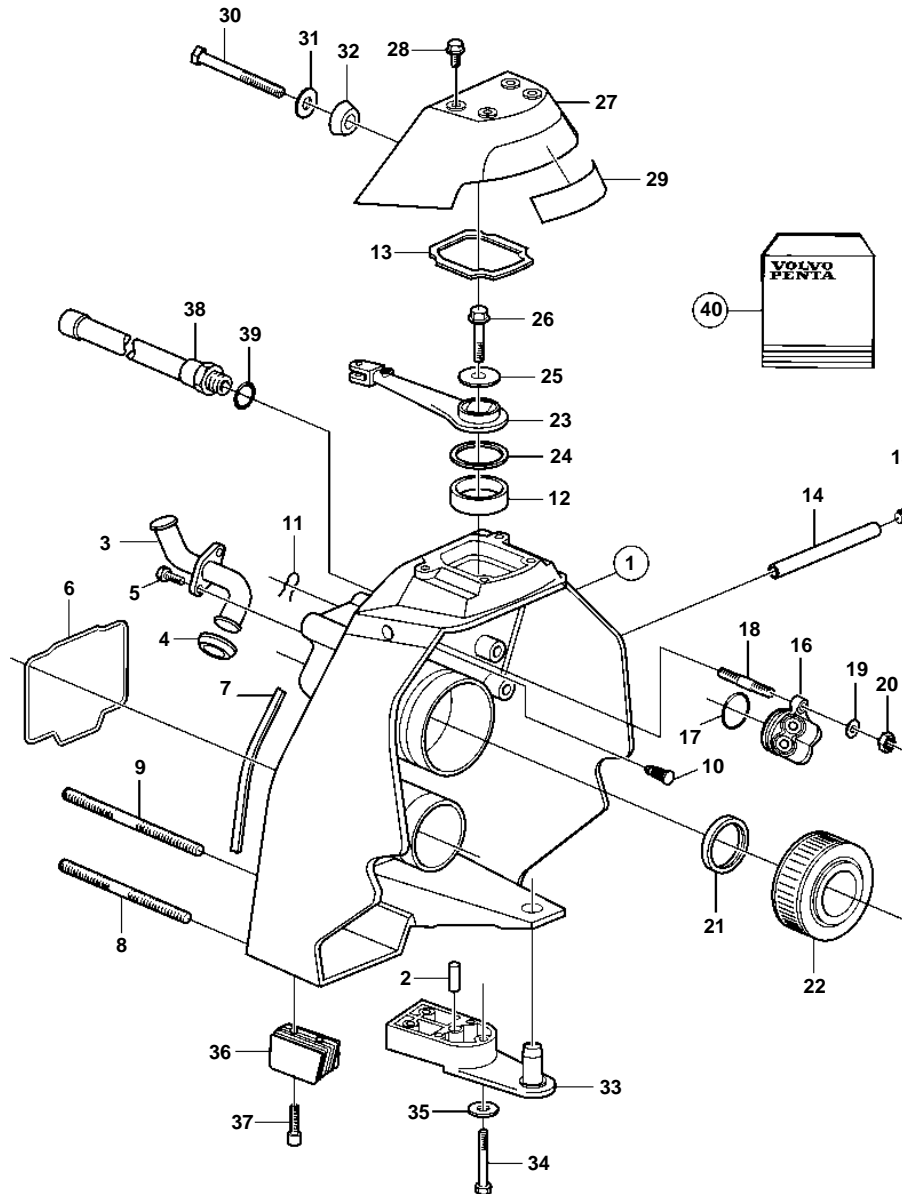


SX-MHP



SX-MHP

REF	PART NO.	QTY	DESCRIPTION
1	3857642	1	Housing
2	3852549	1	• Pin
3	3853880	1	• Tube
4	3852556	1	• Bushing
5	3852454	2	• Screw
6	3587651	1	• Sealing kit
7	3852550	1	• Seal
8	3852576	2	• Stud
9	3852546	4	• Stud
10	3851975	1	• Plug
11	3852555	1	• Retainer
12	3852547	1	• Bearing
13	3857087	1	• Seal
14	3852564	1	• Tube
15	3852121	1	• Lubricating nipple
16	3852559	1	• Block
17	3852169	1	• O-ring
18	3852141	1	• Stud
19	3852193	1	• Washer
20	3852005	1	• Nut
21	3852548	1	• Seal
22	3853807	1	• Bearing
23	3856093	1	Spindle arm
24	3852554	1	Thrust washer
25	3852540	1	Washer
26	3853626	1	Screw
27	3856985	1	Cover
28	3857146	4	Screw
29	3857652	1	Decal
30	3856726	2	Screw
31	3852573	2	Washer
32	3852852	2	Gasket
33	3858194	1	Bracket
34	3852151	5	Screw
35	3852155	5	Washer
36	873395	2	Zinc anod
	3863480	X	Magnesium anode
37	959422	4	Screw
38	3856800	1	Hose
39	3852537	1	O-ring
40	3858631	1	Sealing kit