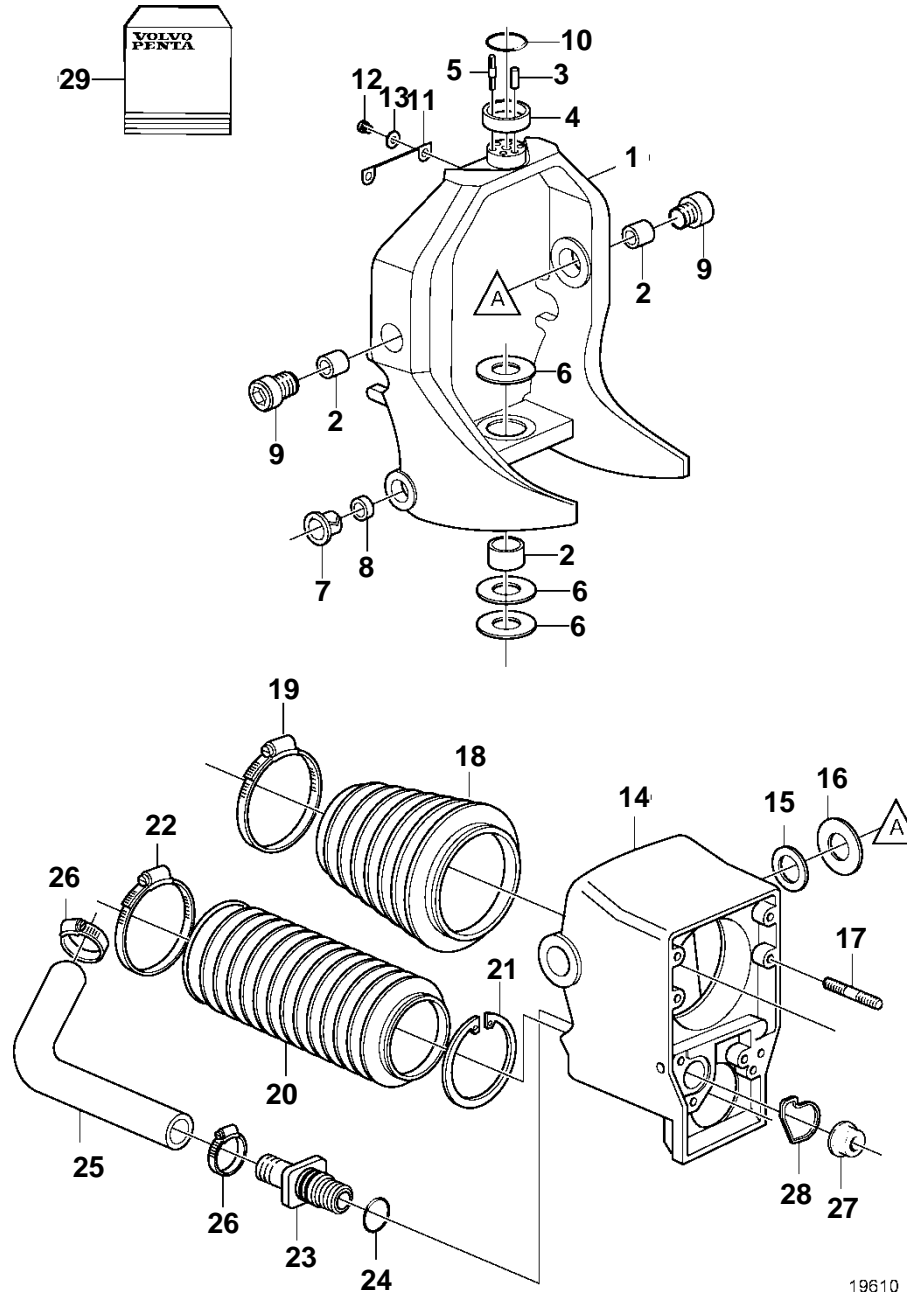


SX-MLT, SX-MDA, SX-MDB



19610

SX-MLT, SX-MDA, SX-MDB

REF	PART NO.	QTY	DESCRIPTION
1	3856987	1	Suspension fork
2	3852544	3	• Bearing
3	3852545	2	• Locating pin
4	3852571	1	• Sleeve
5	3852588	4	• Stud
6	3852557	3	Thrust washer
7	3853423	2	Bushing
8	3853424	2	Grommet
9	3852316	2	Screw
10	3852044	1	O-ring
11	3857347	1	Ground cable
12	3852050	2	Screw
13	3852193	2	Washer
14	3857979	1	Housing
15	3852697	2	• Thrust washer
16	3852558	2	• Thrust washer
17	3852551	6	• Stud
18	3854127	1	Bellows
19	3852604	1	Clamp
20	3850426	1	Rubber bellows
21	3852665	1	Retainer
22	3852603	1	Clamp
23	3852533	1	Nipple
24	3852535	1	O-ring
25	3852352	1	Hose
26	3852602	2	Clamp
27	3852534	1	Nut
28	3852560	1	Seal
29	3858631	1	Sealing kit