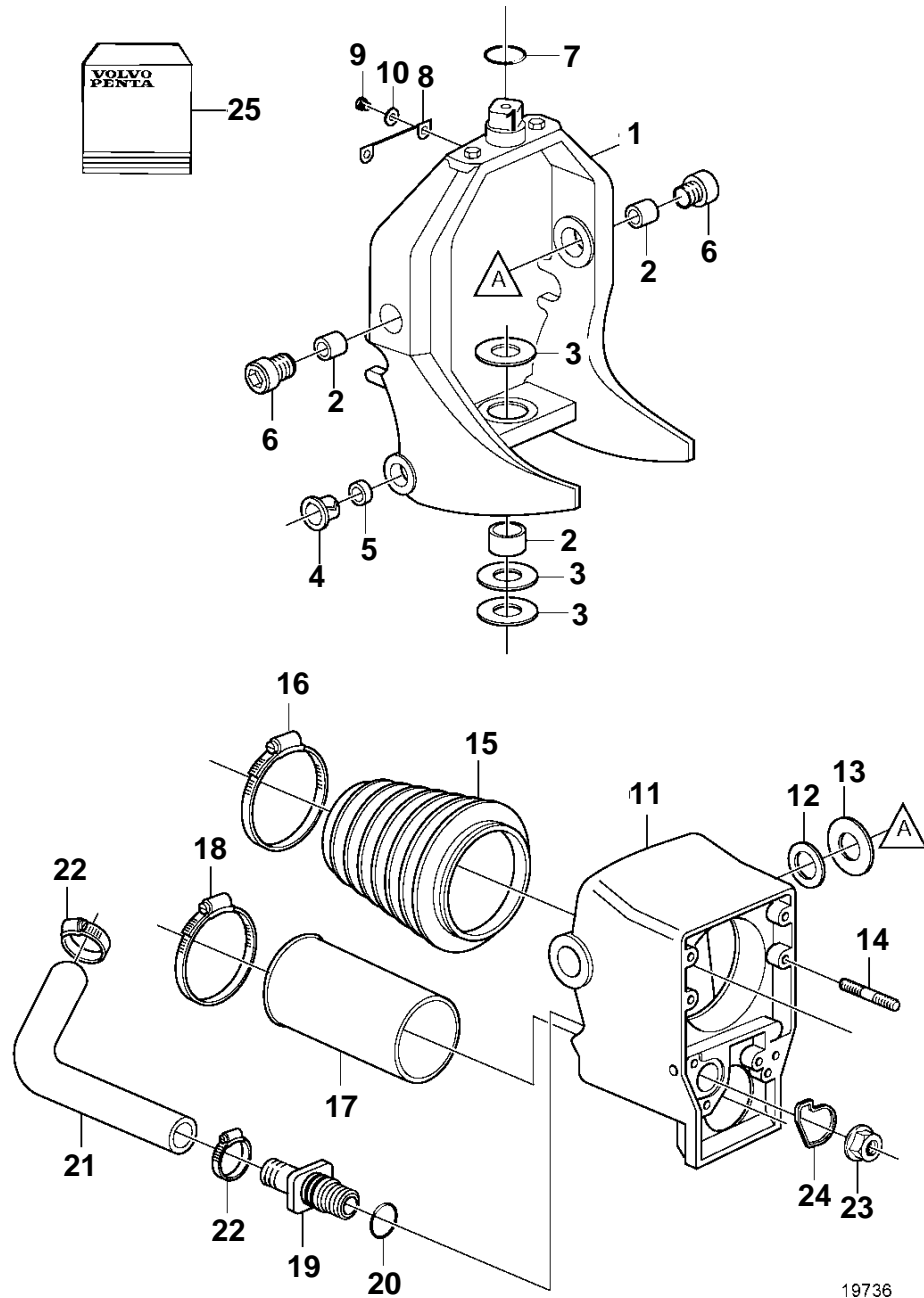


SX-MHP



## SX-MHP

REF	PART NO.	QTY	DESCRIPTION
1	3857292	1	Suspension fork
2	3852544	3	· Bearing
3	3852557	3	Thrust washer
4	3853423	2	Bushing
5	3853424	2	Grommet
6	3852316	2	Screw
7	3852044	1	O-ring
8	3857347	1	Ground cable
9	3852050	2	Screw
10	3852193	2	Washer
11	3857979	1	Housing
12	3852697	2	· Thrust washer
13	3852558	2	· Thrust washer
14	3852551	6	· Stud
15	3854127	1	Bellows
16	3852604	1	Clamp
17	3857511	1	Exhaust hose
18	3852603	1	Clamp
19	3852533	1	Nipple
20	3852535	1	O-ring
21	3852352	1	Hose
22	3852602	2	Clamp
23	3852534	1	Nut
24	3852560	1	Seal
25	3858631	1	Sealing kit