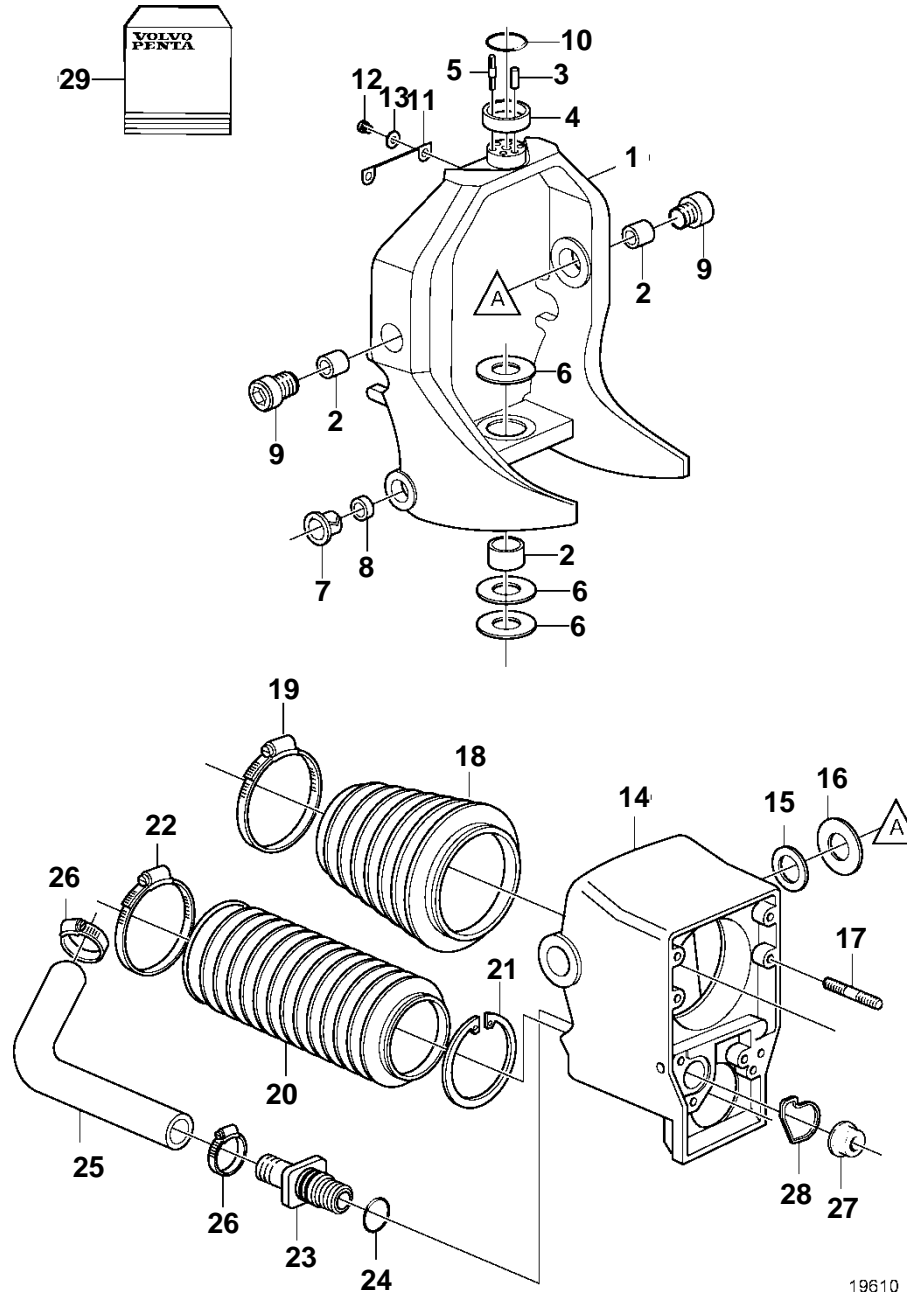


SX-M, SX-MACLT, SX-MDC



19610

SX-M, SX-MACLT, SX-MDC

| REF | PART NO. | QTY | DESCRIPTION     |
|-----|----------|-----|-----------------|
| 1   | 3856987  | 1   | Suspension fork |
| 2   | 3852544  | 3   | · Bearing       |
| 3   | 3852545  | 2   | · Locating pin  |
| 4   | 3852571  | 1   | · Sleeve        |
| 5   | 3852588  | 4   | · Stud          |
| 6   | 3852557  | 3   | Thrust washer   |
| 7   | 3853423  | 2   | Bushing         |
| 8   | 3853424  | 2   | Grommet         |
| 9   | 3852316  | 2   | Screw           |
| 10  | 3852044  | 1   | O-ring          |
| 11  | 3857347  | 1   | Ground cable    |
| 12  | 3852050  | 2   | Screw           |
| 13  | 3852193  | 2   | Washer          |
| 14  | 3857979  | 1   | Housing         |
| 15  | 3852697  | 2   | · Thrust washer |
| 16  | 3852558  | 2   | · Thrust washer |
| 17  | 3852551  | 6   | · Stud          |
| 18  | 3854127  | 1   | Bellows         |
| 19  | 3852604  | 1   | Clamp           |
| 20  | 3850426  | 1   | Rubber bellows  |
| 21  | 3852665  | 1   | Retainer        |
| 22  | 3852603  | 1   | Clamp           |
| 23  | 3852533  | 1   | Nipple          |
| 24  | 3852535  | 1   | O-ring          |
| 25  | 3852352  | 1   | Hose            |
| 26  | 3852602  | 2   | Clamp           |
| 27  | 3852534  | 1   | Nut             |
| 28  | 3852560  | 1   | Seal            |
| 29  | 3858631  | 1   | Sealing kit     |