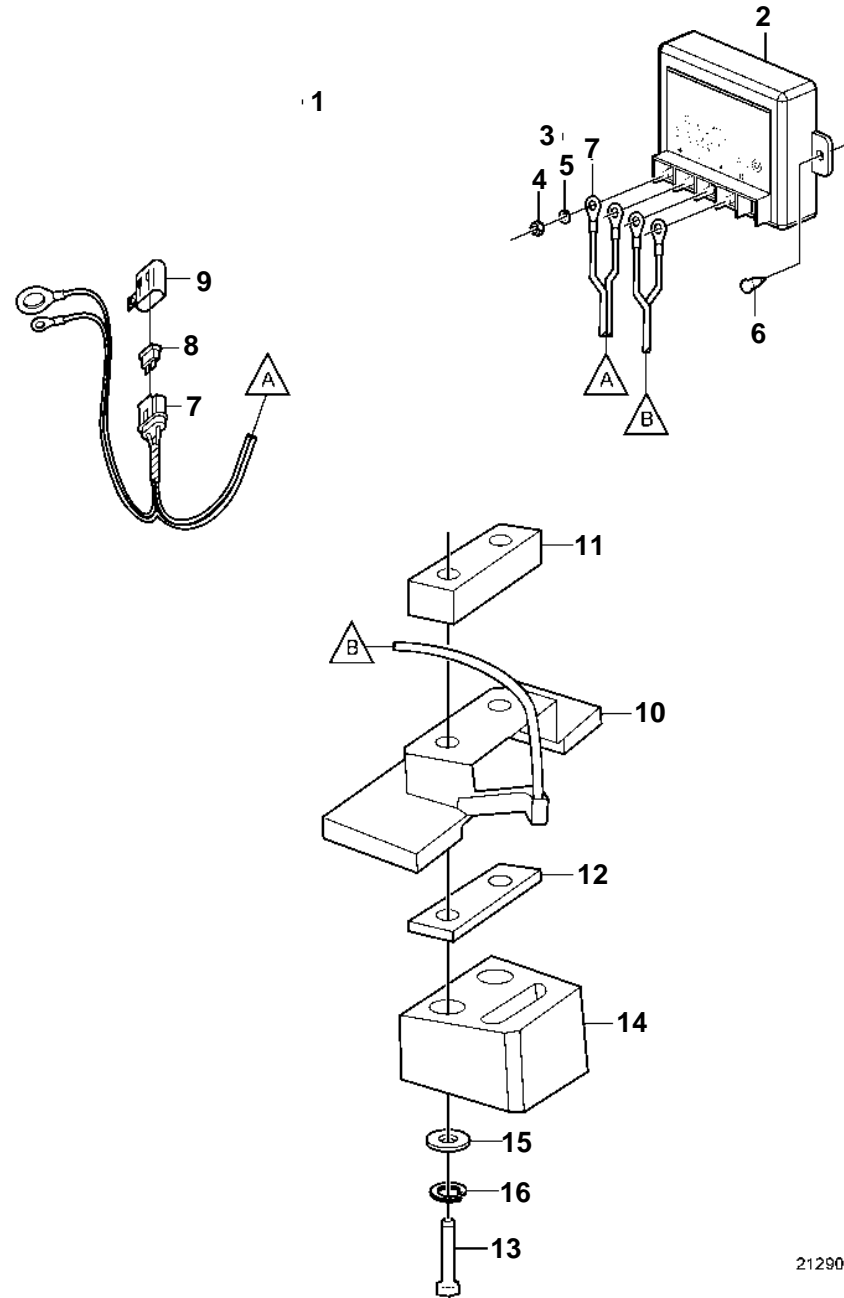


SX-M, SX-MLT, SX-MACLT, SX-MDA, SX-MDB



21290

SX-M, SX-MLT, SX-MACLT, SX-MDA, SX-MDB

REF	PART NO.	QTY	DESCRIPTION	SEE SEC.	NOTES
1	3851984	1	Corrosion protection, ACP		Kit and parts no longer available, replaced by complete new design ACP kit
2	3851972	1	· Electronic unit		
3	3856632	1	· Small parts kit		
4	940119	4	· · Nut		
5		4	· · Lock washer		
6		2	· · Screw		
7	3855793	1	· Cable		
8	8072808	1	· · Cover		
9	983966	1	· · Fuse		1 AMP
10	3851985	1	· Sensor		Kit and parts no longer available, replaced by complete new design ACP kit
11	3856636	1	· Spacer		
12	3856637	1	· Spacer		
13	959951	2	· Screw		
14		1	Anode	6233	
15	3852191	2	Washer		
16	3852061	2	Lock washer		