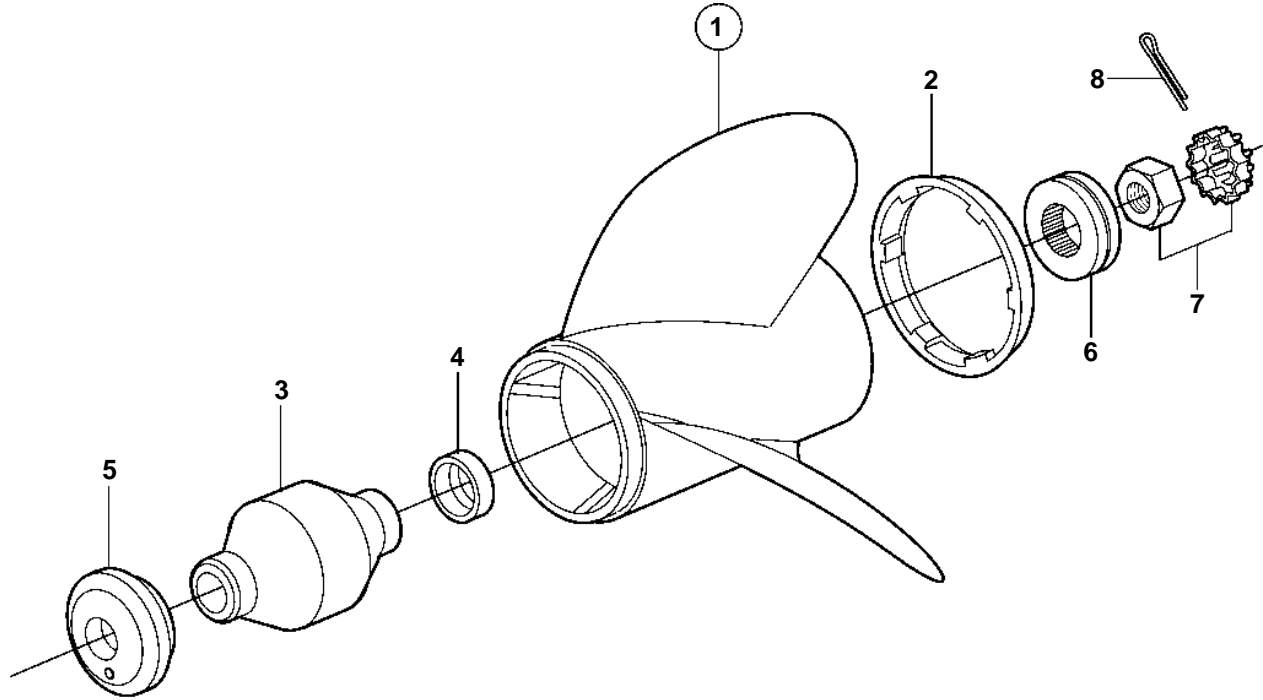


SX-M, SX-MTD, SX-MTD3



SX-M, SX-MTD, SX-MTD3

REF	PART NO.	QTY	DESCRIPTION	NOTES
1	3850302	X	Propeller	RH, 14.25 X 21
	3850303	X	Propeller	RH, 14.25 X 23
	3850301	X	Propeller	RH, 14.5 X 19
	3855481	X	Propeller	LH, 14.5 X 19
	3850300	X	Propeller	RH, 15 X 17
	3855480	X	Propeller	LH, 15 X 17
	3855476	X	Propeller	LH, 15.5 X 12
	3850298	X	Propeller	RH, 15.5 X 13
	3855477	X	Propeller	LH, 15.5 X 13
	3855478	X	Propeller	LH, 15.5 X 14
	3850299	X	Propeller	RH, 15.5 X 15
	3855479	X	Propeller	LH, 15.5 X 15
2	3854241	1	· Ring	
3	3850324	1	· Propeller bushing	
4	3850831	1	· · Sleeve	
5	3852020	1	Bushing	
6	3852350	1	Spacer	
7	3850984	1	Propeller nut	
		1	· Nut	
		1	· Retainer	
8	3852056	1	Cotter pin	