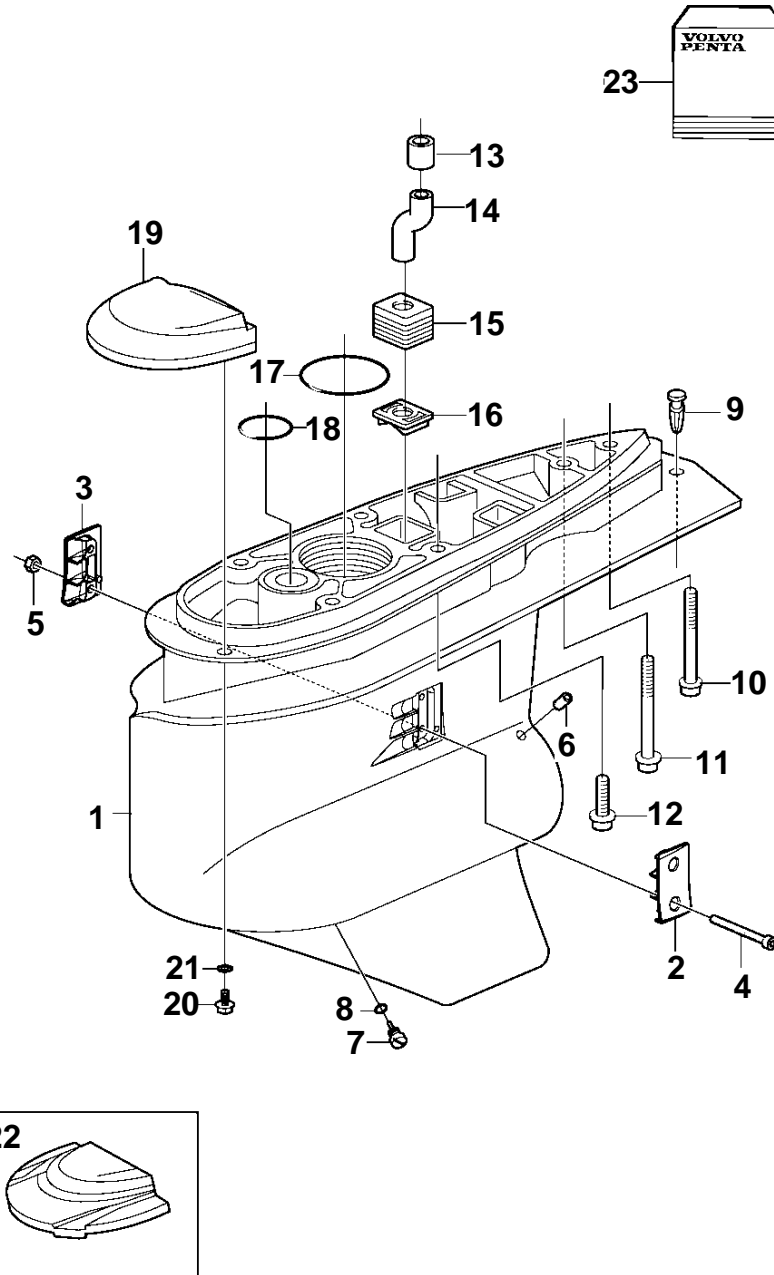


SX-MTD3



SX-MTD3

REF	PART NO.	QTY	DESCRIPTION	SEE SEC.	NOTES
1	3812244	1	Housing		
2	3808275	1	Plate		
3	3808277	1	Plate		
4	990034	2	Screw		
5	984456	2	Lock nut		
6	3853272	1	Screw		
7	3854539	1	Plug		
8	3855081	1	O-ring		
9	3850662	X	Plug		
10	3854805	1	Screw		
11	3854806	1	Screw		
12	959968	4	Screw		
13	3852315	1	Seal		
14	3860252	1	Tube		
15	3854595	1	Seal		
16	3854601	1	Retainer		
17	3852866	1	O-ring		
18	3852959	1	O-ring		
19	3855411	X	Zinc anod Bulletin P-44-1-1		
19	3855412	X	Magnesium anode	P-44-1-1-EN	Anodes, SX AND DP-S
	3863193	X	Anode, aluminum		
20	3852186	2	Screw		
21	3852182	2	Lock washer		
22	3857857	X	Zinc anod		
	3857858	X	Magnesium anode		
		X	Anode, aluminum		
23	3855275	X	Sealing kit		