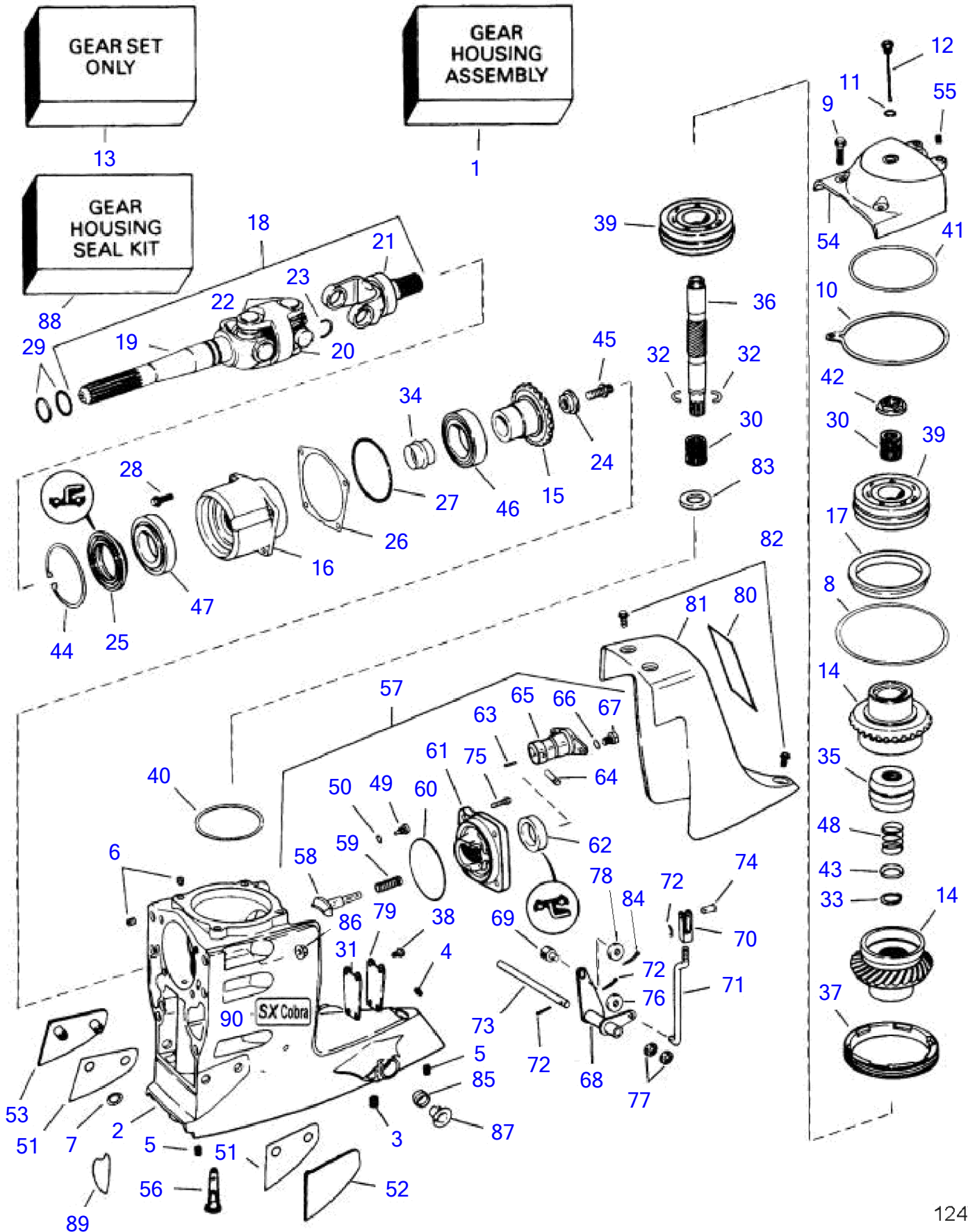


SX-C, SX-CT, SX-R



12475

## SX-C, SX-CT, SX-R

REF	PART NO.	QTY	DESCRIPTION	SEE SEC.	NOTES
1	3855103	1	Upper gear		
2	(3855102)	1	• Gear housing		Obsolete part
3	3852541	1	• • Insert		7/16" - 14 unc
4	3852567	1	• • Insert		5/16" - 18UNC, Short
5	3852515	5	• • Insert		3/8" - 16 unc
6	3852513	8	• • Insert		5/16" - 18UNC
7	3852516	4	• Ring, thrust plate		
8	3852363	1	• Shim, upper bearing, 0.002 in		
	3852364	1	• Shim, upper bearing, 0.003 in		
	(3852365)	1	• Shim, upper bearing, 0.004 in		Obsolete part
	3852366	1	• Shim, upper bearing, 0.005 in		
	3852367	1	• Shim, upper bearing, 0.010 in		
9	3850629	4	• Screw, top cover		
10	3852317	1	• Gasket, top cover		Contents of upper gear housing seal kit
11	3852045	1	• O-ring, oil fill plug		Contents of upper gear housing seal kit
12	3854847	1	• Dipstick, oil indicator		
13	3851505	1	• Gear set, pinion & drive gears		replaced by next part number
	3851203	1	• Gear		replaced by next part number
	21130692	1	• Kit		Contains gear set, sliding sleeve & shoe
14		2	• • Gear		
15		1	• • Pinion		
16	3852267	1	• Bearing housing, pinion		
17	3852269	1	• Ring, upper bearing support		
18	3852384	1	• Universal joint		
			• Bulletin P-44-1-5	P-44-1-5-EN	U-joints
19	(3850815)	1	• Yoke, yoke		Obsolete part
20	3850813	1	• • Spacer		
21	(3850814)	1	• • Yoke, yoke		Obsolete part
22	3850812	2	• • Spider		
23	(3850757)	4	• • Locking clip, u-joint		Obsolete part
24	3852310	1	• Washer, pinion gear		
25	3852272	1	• Sealing, u joint to bearing carrier		Contents of upper gear housing seal kit
26	3852355	1	• Shim, bearing carrier, 0.003 in		
	3852356	1	• Adjusting washer, bearing carrier, 0.004 in		
	3852357	1	• Adjusting washer, bearing carrier, 0.005 in		
	3852358	1	• Adjusting washer, bearing carrier, 0.010 in		
27	3852308	1	• O-ring, bearing carrier		Contents of upper gear housing seal kit
28	3852454	4	• Flange screw, bearing carrier		
29	3852565	2	• O-ring, u joint		
30	3852390	2	• Bearing, drive gear		
31	3852279	1	• Gasket, water passage		Contents of upper gear housing seal kit
32	3852295	1	• Locking clip, upper driveshaft		
33	3852299	1	• Snap ring, spring		
34	3852304	1	• Sleeve, pretension		
35	873312	1	• Sliding sleeve		
			• Bulletin P-44-1-8	P-44-1-8-EN	Shift mechanism, shift cone and shoe
			• Bulletin P-44-1-18	P-44-1-18-EN	Shift Cone
36	3852292	1	• Shaft, upper		
37	3852262	1	• Ring, bearing retainer		
38	3852373	4	• Screw, water passage		
39	3852389	2	• Bearing, drive gear		
40	3852368	1	• Shim, lower bearing, 0.002 in		
	(3852369)	1	• Shim, lower bearing, 0.003 in		Obsolete part
	3852370	1	• Shim, lower bearing, 0.004 in		
	3852371	1	• Shim, lower bearing, 0.005 in		
	3852372	1	• Shim, lower bearing, 0.010 in		
41	3852368	1	• Shim, upper cover, 0.002 in		
	(3852369)	1	• Shim, upper cover, 0.003 in		Obsolete part
	3852370	1	• Shim, upper cover, 0.004 in		
	3852371	1	• Shim, upper cover, 0.005 in		
	3852372	1	• Shim, upper cover, 0.010 in		
42	3852301	1	• Nut, upper driveshaft, 0.000 in		
	3852302	1	• Nut, upper driveshaft, 0.008 in		

## SX-C, SX-CT, SX-R

REF	PART NO.	QTY	DESCRIPTION	SEE SEC.	NOTES
	3852303	1	• Nut, upper driveshaft, 0.016 in		
	3852375	1	• Nut, upper driveshaft, 0.024 in		
43	3852298	1	• Spacer, spring		
44	3852307	1	• Lock ring, seal		
45	3852309	1	• Screw, pinion gear retainer		
46	3850852	1	• Bearing, pinion to inner carrier		
47	3850853	1	• Bearing, pinion to outer carrier		
48	3852296	1	• Spring, clutch cone to shaft		
49	3854539	1	• Plug, oil plug		
50	3855081	1	O-ring, oil plug		Contents of upper gear housing seal kit
51	3852563	X	• Adjusting washer, thrust plate, 0.015 in		
52	3852561	1	• Pressure plate, thrust, port		
53	3852562	1	• Pressure plate, thrust, starboard		
54	3854401	1	• Bearing cover, upper gear unit		
55	3852513	2	• • Insert, threaded, 5/16-18		
56	(3854021)	1	• Strainer, oil sump		Obsolete part
57	839504	1	• Shift mechanism		
58	814603	1	• • Dog		
59	814184	1	• • Spring, shift shoe		
60	925093	1	• • O-ring, shift actuator		Contents of upper gear housing seal kit
61	873291	1	• • Sealing ring, shift actuator		
62	853868	1	• • Sealing ring, shift actuator		Contents of upper gear housing seal kit
63	951924	1	• • Spring pin, tension		
64	942871	1	• • Clevis pin, eccentric piston		
65	897816	1	• • Eccentric piston		
			• Bulletin P-44-1-7	P-44-1-7-EN	Shift mechanism, eccentric piston
66	897871	4	• • Shim, shift shoe		
67	897711	1	• • Hexagon screw, shift shoe stop		
68	3852276	1	• Bracket, shift		
69	3852329	1	• Cube, cable to bellcrank		
70	3852328	1	• Fork, shift link		
71	3852278	1	• Link, bellcrank to piston		
72	3854480	3	• Split pin		
73	3852277	1	• Bar, bellcrank		
74	3852330	1	• Clevis pin, shift link to piston		
75	3852353	4	• Screw, shift housing		
76	3852184	1	• Washer, shift		
77	3852193	2	• Washer, bellcrank		
78	3852083	2	• Washer, shift link		
79	3852280	1	• Plate, waterpassage		
80	3855356	1	• Decal, cover		
81	3852418	1	• Cover, shift mechanism		
82	3852568	3	• Flange screw, cover		
83	3852294	1	• Ring, spacer		
84	3854480	1	• Split pin, shift cable		
85	3853423	2	Bushing, pivot pin		
86	3853329	6	Nut, drive to pivot housing		
87	3853424	2	Grommet, pivot pin bushing		
88	3850594	1	Kit		
89	3852560	1	Sealing, water passage		Contents of upper gear housing seal kit
90	(3855357)	2	Decal, SX, port & starboard		Obsolete part

7749307-44-10353

12475

Upd:2014-05-27