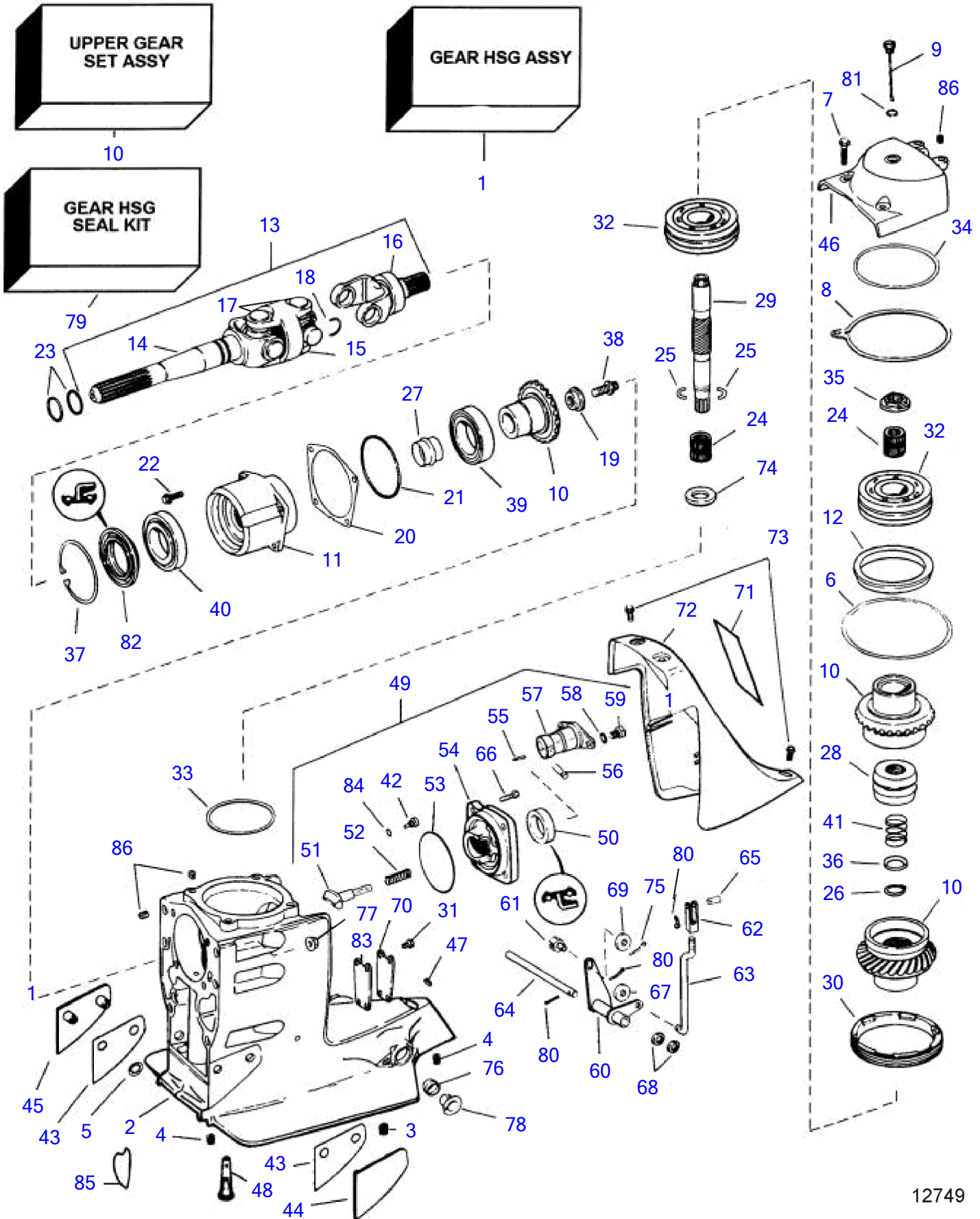


SX-C1, SX-CT1, SX-RT1, DP-S



12749

SX-C1, SX-CT1, SX-RT1, DP-S

REF	PART NO.	QTY	DESCRIPTION	SEE SEC.	NOTES
1	3868392	1	Drive, complete assy, SX-C1 (1.43:1)		Not shown
	3868393	1	Drive, complete assy, SX-C1 (1.51:1)		Not shown
	3868394	1	Drive, complete assy, SX-C1 (1.60:1)		Not shown
	3868395	1	Drive, complete assy, SX-C1 (1.66:1)		Not shown
	3868398	1	Drive, complete assy, SX-RT1 (1.66:1)		Not shown
	3868166	1	Drive unit, complete assy, DP-S (1.68:1)		Not shown
	3868165	1	Drive unit, complete assy, DP-S (1.78:1)		Not shown
	3868465	1	Drive, complete assy, SX-C1 (1.85:1)		Not shown
	3868396	1	Drive, complete assy, SX-CT1(1.85:1)		Not shown
	3868164	1	Drive unit, complete assy, DP-S (1.95:1)		Not shown
	3868397	1	Drive, complete assy, SX-CT1(1.97:1)		Not shown
	3868333	1	Drive, complete assy, SX-RT1 (2.18:1)		Not shown
	3868163	1	Drive unit, complete assy, DP-S (2.30:1)		Not shown
	3856181	1	Housing, upper, 22.23		SX, 1.43, 1.51, 1.60, 1.66, 1.85
	3855699	1	Gear housing		DP-S
	3855700	1	Gear housing, upper, 21.26		SX, 1.97, 2.18
2	3855775	1	Gear housing, upper, gasoline		
	3855700	1	Gear housing, upper, diesel		
3	3852541	1	• Insert		7/16" - 14 unc
4	3852515	5	• Insert		3/8" - 16 unc
5	3852516	4	Ring, thrust plate to upper gear		
6	3852363	1	Shim, upper bearing, 0.002 in		
	3852364	1	Shim, upper bearing, 0.003 in		
	(3852365)	1	Shim, upper bearing, 0.004 in		Obsolete part
	3852366	1	Shim, upper bearing, 0.005 in		
	3852367	1	Shim, upper bearing, 0.010 in		
7	3850629	4	Screw, top cover to upper gear hsg		
8	3852317	1	Gasket, top cover to upper gear hsg		
9	3854847	1	Dipstick, oil indicator, upper gear hsg cover		
10	3851505	1	Gear set, pinion & drive gears		SX, 1.43, 1.51, 1.60, 1.66, 1.85, replaced by next part number
	3851203	1	Gear		DP-S, replaced by next part number
	21130692	1	Kit		Contains gear set, sliding sleeve & shoe
	3851793	1	Gear, pinion & drive gears		SX, 1.97, 2.18, replaced by next part number
	3856996	1	Gear set		replaced by next part number
	21130693	1	Kit		Contains gear set, sliding sleeve & shoe
		2	• Gear		
		1	• Pinion		
11	3852267	1	Bearing housing, pinion		
12	3852269	1	Ring, upper bearing support		
13	3852384	1	Universal joint		
			• Bulletin P-44-1-5	P-44-1-5-EN	U-joints
14	(3850815)	1	• Yoke, yoke		Obsolete part
15	3850813	1	• Spacer		
16	(3850814)	1	• Yoke, yoke		Obsolete part
17	3850812	2	• Spider		
18	(3850757)	4	• Locking clip, u joint		Obsolete part
19	3852310	1	Washer, pinion gear		
20	3852355	1	Shim, bearing carrier, 0.003 in		
	3852356	1	Adjusting washer, bearing carrier, 0.004 in		
	3852357	1	Adjusting washer, bearing carrier, 0.005 in		
	3852358	1	Adjusting washer, bearing carrier, 0.010 in		
21	925095	1	O-ring, bearing carrier		
22	3852454	4	Flange screw, pinion brg carrier to upper gear hsg		
23	3852565	2	O-ring, u joint		
24	3852390	2	Bearing, drive gear		
25	3852295	2	Locking clip, upper drive shaft		
26	951078	1	Snap ring		
27	3852304	1	Sleeve, crush		
28	873312	1	Sliding sleeve		
			• Bulletin P-44-1-8	P-44-1-8-EN	Shift mechanism, shift cone and shoe
			• Bulletin P-44-1-18	P-44-1-18-EN	Shift Cone

SX-C1, SX-CT1, SX-RT1, DP-S

REF	PART NO.	QTY	DESCRIPTION	SEE SEC.	NOTES
29	3852292	1	Shaft, upper drive		
30	3852262	1	Ring, lower bearing		
31	3852373	4	Screw, water passage plate & gasket		To upper gear hsg
32	3852389	2	Bearing, drive gear		
33	3852368	1	Shim, lower bearing, 0.002 in		
	(3852369)	1	Shim, lower bearing, 0.003 in		Obsolete part
	3852370	1	Shim, lower bearing, 0.004 in		
	3852371	1	Shim, lower bearing, 0.005 in		
	3852372	1	Shim, lower bearing, 0.010 in		
34	3852368	1	Shim, upper cover, 0.002 in		
	(3852369)	1	Shim, upper cover, 0.003 in		Obsolete part
	3852370	1	Shim, upper cover, 0.004 in		
	3852371	1	Shim, upper cover, 0.005 in		
	3852372	1	Shim, upper cover, 0.010 in		
35	3852301	1	Nut, upper drive shaft, 0.000 in		
	3852302	1	Nut, upper drive shaft, 0.008 in		
	3852303	1	Nut, upper drive shaft, 0.016 in		
	3852375	1	Nut, upper drive shaft, 0.024 in (0.60 mm)		
36	3852298	1	Spacer, spring		
37	914538	1	Snap ring, seal, U-joint assy		
38	3852309	1	Screw, washer, pinion to U-joint assy		
39	3850852	1	Bearing, bearing carrier, pinion, rear		
40	3850853	1	Bearing, pinion to outer carrier		
41	3852296	1	Spring, clutch cone to shaft		
42	3854539	1	Plug, oil drain, gear hsg		
43	3852563	2	Adjusting washer, thrust plate, 0.015 in		
44	3852561	1	Pressure plate, gear hsg, port		
45	3852562	1	Pressure plate, gear hsg, stbd		
46	3854401	1	Bearing cover, upper gear unit, top		
47	3852567	2	• Insert, threaded, .5116-18, short		
48	(3854021)	1	Strainer, dil sump		Obsolete part
49	839504	1	Shift mechanism, upper gear hsg, rear		
50	873291	1	• Sealing ring		
51	814603	1	• Dog		
52	814184	1	• Spring, shift shoe		
53	925093	1	• O-ring, shift actuator		Part of gear hsg seal kit
54	839505	1	• Bearing housing		
55	951924	1	• Spring pin		
56	942871	1	• Clevis pin		
57	897816	1	• Eccentric piston		
			• Bulletin P-44-1-7	P-44-1-7-EN	Shift mechanism, eccentric piston
58	897871	4	• Shim		
59	897711	1	• Hexagon screw		
60	3852276	1	Bracket, shift		
61	3852329	1	Cube, shift cable to bellcrank		
62	3852328	1	Fork, shift link		
63	3852278	1	Link, bellcrank to piston		
64	3852277	1	Bar, bell crank		
65	192662	1	Split pin, shift link to piston		
66	3856742	4	Screw, shift hsg to upper gear hsg		
67	3852182	1	Washer, trunnion, shift cable to bellcrank		
68	3852193	2	Washer, shift link to bellcrank		
69	3852083	1	Washer, bellcrank to gear hsg		
70	3852280	1	Plate, water passage		
71	3855356	1	Decal, VP SX Cobra		
	3855360	1	Decal, VP SX diesel		
72	3852418	1	Cover, shift mechanism		
73	3852568	3	Flange screw, cover		
74	3852294	1	Ring, spacer		
75	3854480	1	Split pin, trunnion shift cable to bellcrank		
76	3853423	2	Bushing, pivot pin		
77	3853329	6	Nut, drive to pivot hsg		
78	3853424	2	Grommet, pivot pin bushing		

7749307-44-10681

12749

Upd:2014-05-27

SX-C1, SX-CT1, SX-RT1, DP-S

REF	PART NO.	QTY	DESCRIPTION	SEE SEC.	NOTES
79	3850594	1	Kit, upper gear hsg		
80	3852052	3	• Split pin		
81	3852045	1	• O-ring, oil fall plug		
82	3852272	1	• Sealing, u joint to bearing carrier		
83	3852279	1	• Gasket, water passage		
84	3852105	1	• Washer, oil drain plug		
85	3852560	1	• Sealing, water passage		
86	3852513	2	Insert		5/16" - 18UNC
	(3855644)	2	Decal, SX Cobra, gasoline		Obsolete part, Not shown
	3855645	2	Decal, SX, diesel		Not shown
	3855646	2	Decal, DP-S, upper gear, port & stbd		Not shown
	3855647	2	Decal, DP-S, upper gear hsg cover		Not shown

7749307-44-10681

12749

Upd:2014-05-27