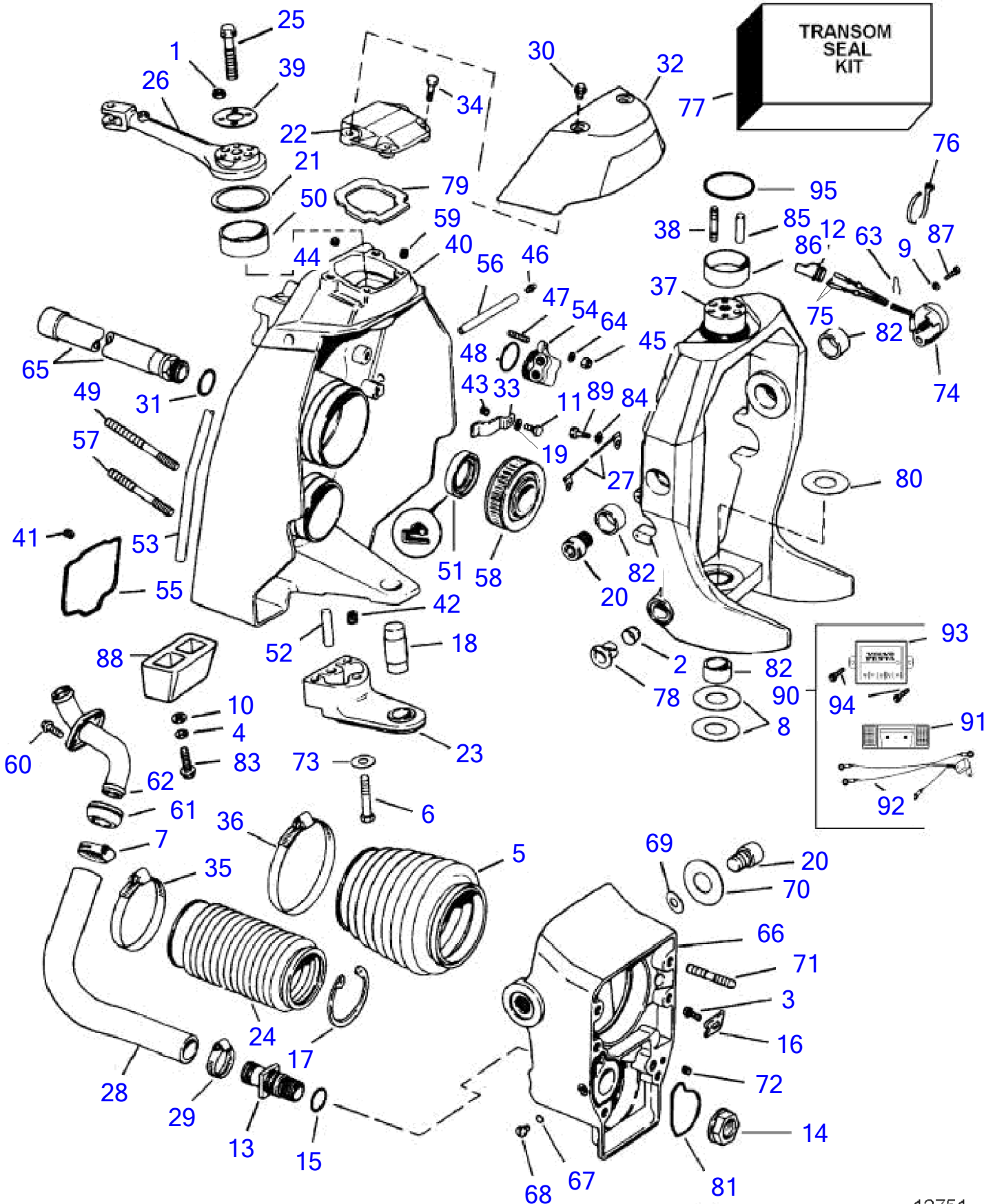


SX-C, SX-C1, SX-C2, SX-R, SX-C1AC, SX-R1, SX-R2, SX-CLT, SX-CLT1



12751

SX-C, SX-C1, SX-C2, SX-R, SX-C1AC, SX-R1, SX-R2, SX-CLT, SX-CLT1

REF	PART NO.	QTY	DESCRIPTION	SEE SEC.	NOTES
1	3852004	4	Nut, steering arm stud		
2	3853424	2	Grommet, pivot pin		
3	3852006	1	Screw, shift cable retainer		
4	3852061	2	Washer, anode		
5		1	Bellows, u joint		replaced by next part number
	3841481	1	Bellows kit		replaced by next part number
	22197130	1	Bellows kit		Clamp included
6	3852151	3	Hexagon screw, support hsg to gimbal hsg		
7	3852602	2	Hose clamp, water hose		
8	3852557	2	Washer, gimbal to gimbal hsg		
9	3853458	2	Washer, trim sender to gimbal		
10	(3852191)	2	Washer, anode		Obsolete part
11	3852201	2	Hexagon screw, clamp, oil line assy, gimbal hsg		
12	3852239	1	Pin connector, sending unit (3 pin)		
13	3852533	1	Nipple, water inlet		
14	3852534	1	Nut, nipple, water intet		
15	3852535	1	O-ring, nipple		
16	3852313	1	Retainer, shift cable		
17	3852665	1	Retainer, bellows to pivot hsg, exhaust		
18	3855960	1	Shaft, steering pivot		
19	(3852191)	2	Washer, screw, clamp, oil assy, gimbal hsg		Obsolete part
20	3852316	2	Screw, gimbal to pivot		
21	3852554	1	Washer, steering arm		
22	3854246	1	Cardboard tube		
23	3852380	1	Bracket		
24	3850426	1	Bellows		
			• Bulletin P-44-1-20	P-44-1-20-EN	Exhaust Bellows, problems with aftermarket parts
25	(3852591)	1	Screw, steering arm to gimbal		Obsolete part
26	3852379	1	Arm		
27	3853929	1	Chassis ground cable, pivot housing to gimbal		
28	3852352	1	Hose, water intet		
29	948616	1	Cable tie, water intet to hose		
30	(3852682)	2	Screw, cover steering arm		Obsolete part
31	3852537	1	O-ring, sleeve & connector assy to gimbal hsg		
32	3855005	1	Cover, gimbal hsg		
33	3852354	2	Clamp, dit line assy, gimbal hsg		Obsolete part
34	3852473	2	Flange screw, cap to gimbal hsg		
35	3852603	1	Hose clamp, exhaust bellows		
36	3852604	1	Hose clamp, u joint bellows		
37	3854863	1	Suspension fork		
38	941814	4	Stud, gearcase to upper gear hsg		
39	3852585	1	Plate, steering arm mounting		
40	3851976	1	Housing		
	3851975	1	• Plug, hole, accessory access		
	3852193	1	• Washer		
41	3852953	4	• Thread insert, exhaust pipe		
42	3852515	3	• Insert, threaded, 318-16		
43	3852513	2	• Insert, threaded, 5116-18		
44	3852567	2	• Insert, steering cover		
45	3852005	1	• Nut, stud, manifold block		
46	3852121	1	• Fitting, tube, u joint bearing		
47	3852141	1	• Stud, manifold block		
48	3852169	1	• O-ring		
49	3852546	4	• Stud, transom, long		
50	3852547	1	• Bearing, upper steering		
51	3852548	1	• Sealing, drive shaft		
52	3852549	1	• Pin, support housing		
53	3852550	1	• Sealing, transom		
54	3852559	1	• Block		
55		1	• Sealing		Kit 3587651
			• Bulletin P-25-2-2	P-25-2-2-EN	Y-pipe seal, gas engines

SX-C, SX-C1, SX-C2, SX-R, SX-C1AC, SX-R1, SX-R2, SX-CLT, SX-CLT1

REF	PART NO.	QTY	DESCRIPTION	SEE SEC.	NOTES
56	3852564	1	• Tube, grease fitting		
57	3852576	2	• Stud, transom, short		
58	3853807	1	• Bearing		Gas, replaced by next part number
	3855707	1	• Ball bearing		Diesel, replaced by next part number
	21752712	1	Bearing		
59	(3852526)	2	• Insert		Obsolete part
60	3852454	2	• Flange screw, retainer, water tube		
61	3852556	1	• Bushing, water tube		
62	3853880	1	• Pipe, gimbal hsg		
63	3852555	1	• Retainer, plug to gimbal hsg		
64	3852193	1	Washer, stud, manifold block		
65	3850694	1	Cable sleeve		
66	3855350	1	Washer		
67	3852523	1	• O-ring		Incl. in transom seal kit
68	3852536	1	• Plug		
69	3852697	2	• Washer, gimbal to pivot hsg		Incl. in transom seal kit
70	3852558	2	• Washer, pivot screw, pivot hsg		
71	3852551	6	• Stud, pivot to gear hsg		
72	3852514	1	• Insert		
73	(3852155)	3	Washer, steering support brkt to gimbal hsg		Obsolete part
74	3855535	1	Bracket		3 wire, replaced by next part number
	3863007	1	Wire		3 wire, replaced by next part number
	3849411	1	Sensor		3 wire
	3854842	1	Sensor		2 wire, replaced by next part number
	3861837	1	Sensor		Obsolete part, 2 wire, replaced by next part number
	3594989	1	Sensor		2 wire
75	(3852257)	2	Terminal, socket		Obsolete part
76		1	Cable tie, trim sender lead to grease tube		
77	3854270	1	Sealing kit		
78	3853423	12	• Bushing, pivot pin, trim & tilt cylinder		Incl. in transom seal kit
79	3852677	1	• Gasket, cap, gimbal hsg		Incl. in transom seal kit
80	3852557	1	• Washer, gimbal to support bracket		Incl. in transom seal kit
81	3852560	1	• Sealing, water passage		Incl. in transom seal kit
82	3852544	3	• Bearing, steering & tilt		Incl. in transom seal kit
83	3852192	2	Hexagon screw, anode		
	940172	2	Hexagon screw, anode		Diesel; not shown
	3851823	2	Spacer, anode		Diesel; not shown
84	3852193	2	Washer, ground strap		
85	3852545	2	Dowel, steering arm		
86	3852571	1	Sleeve, gimbal		
87	3852081	2	Screw		Trim sender
88	3855610	1	Magnesium anode		
	3854130	1	Anode		
			• Bulletin P-44-1-1	P-44-1-1-EN	Anodes, SX AND DP-S
89	3852050	2	Screw		
90	3851984	1	Protection against c		
91	3851985	1	• Sensor		
92	3855793	1	• Wiring harness		
93	3851972	1	• Electronic unit		
94	(3855728)	2	• Hexagon screw		Obsolete part
95	3852044	1	O-ring		