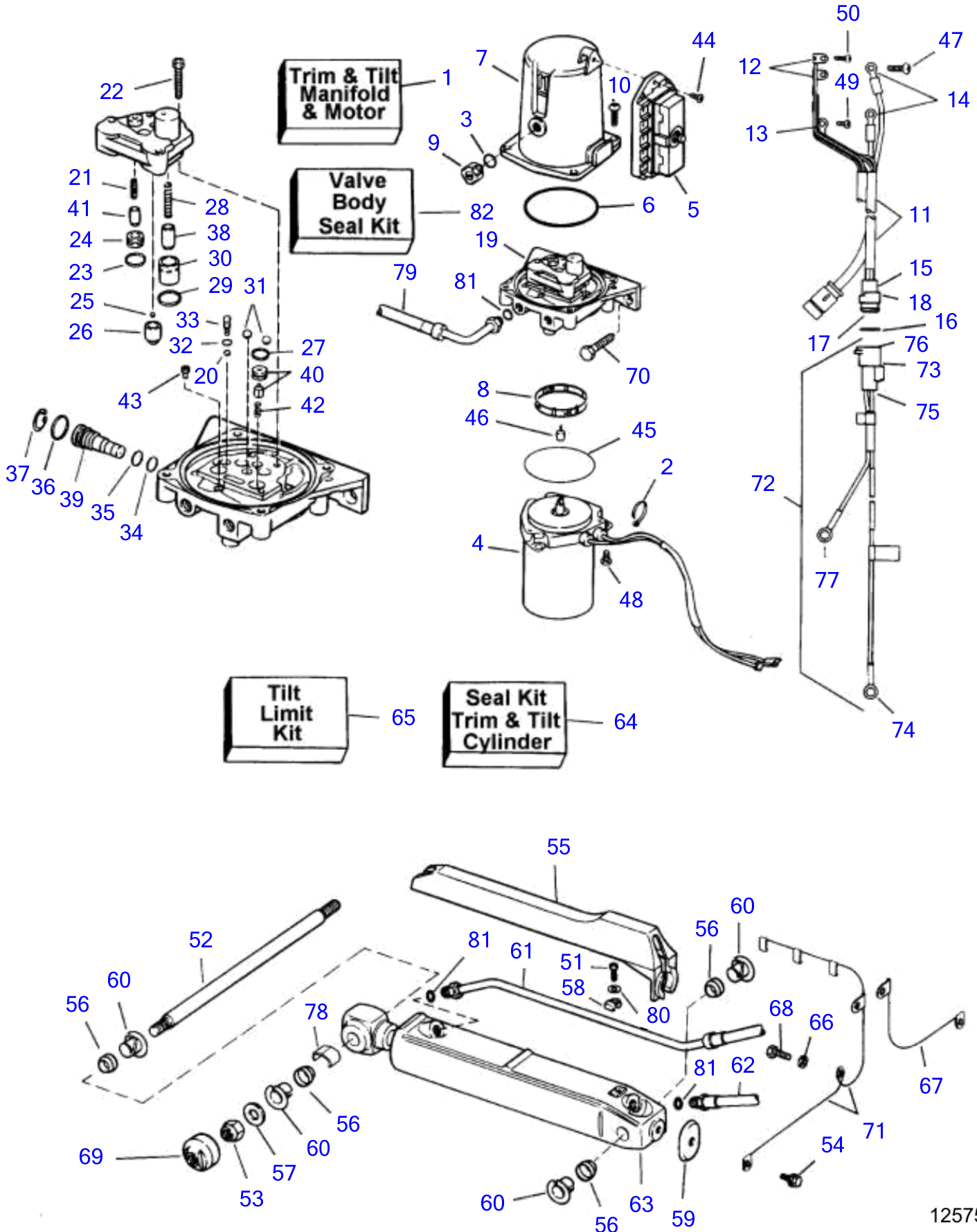


SX-C, SX-R



12575

## SX-C, SX-R

REF	PART NO.	QTY	DESCRIPTION	NOTES
1	3854030	1	Hydraulic pump	Has manual release valve
	3855334	1	Hydraulic pump	No manual release valve
2	(3852158)	1	Cable tie	Obsolete part
3	3852073	1	O-ring, piug	Contents of valve body seal kit
4	3853945	1	Electrical motor	
5	(3853946)	1	Relay	Obsolete part
6	(3852508)	1	O-ring, reservoir	Obsolete part, Contents of valve body seal kit
7	3853989	1	Tank	
8	3852974	1	Filter	Contents of valve body seal kit
9	3852976	1	Plug, fill hole	
10	3852977	4	Screw, reservoir to manifold	
11	3854038	1	Wiring harness	
12	(3852228)	2	Cable terminal	Obsolete part
13	3852226	1	Cable terminal	
14	(3852038)	2	Terminal	Obsolete part
15	(3852250)	1	Terminal	Obsolete part
16	3852537	1	O-ring, connector	
17	(3852253)	2	Terminal	Obsolete part
18	3852251	1	Plug, connector	
19	3853943	1	Valve housing	
20	3852590	1	Ball, manual release	
21	(3852578)	1	Spring, valve, trim down	Obsolete part
22	3852983	4	Screw, pump to manifold	
23	3852984	1	O-ring, valve seat	Contents of valve body seal kit
24	3852985	1	Seat, valve, down	
25	3852986	2	Ball, piston, pump control	
26	3852987	2	Piston, pump control	
27	3852988	2	O-ring, piston, pump control	Contents of valve body seal kit
28	3852989	1	Spring, valve core, trim up	
29	3852990	1	O-ring, valve seat, trim up	Contents of valve body seal kit
30	3852991	1	Spring seat, valve, trim up	
31	(3852023)	2	Ball, pump inlet	Obsolete part
32	3852992	1	O-ring, manual release3	
33	3852993	1	Plug, manual release	
34	3852994	1	Ring, manual release	
35	3852995	1	O-ring, manual release	10 1/2 in. (268mm) full extension, from end cap to pivot pin
36	3852996	1	O-ring, manual release	10 1/2 in. (268mm) full extension, from end cap to pivot pin
37	3852997	1	Snap ring	
38	3853803	1	Valve, trim up	
39	3853944	1	Valve, manual release	
40	(3853947)	2	Valve	Obsolete part
41	(3853948)	1	Valve	Obsolete part
42	3852975	2	Spring, check valve	
43	3853313	1	Filter, oil	
44	3852978	1	Screw, relay to reservoir	
45	3852166	1	O-ring, motor to manifold	Contents of valve body seal kit
46	3852982	11	Pump, pump	
47	3852981	2	Screw, terminal	
48	3852978	3	Screw, motor to manifold	
49	3852979	3	Screw, terminal	
50	3852980	2	Screw, terminal	
51	3852081	2	Screw, oil line retainer	
52	3853422	2	Pin, tilt cylinder	
53	3852648	4	Nut, pivot pin	
54	3852568	2	Flange screw, cover	
55	(3852378)	2	Cardboard tube, tilt cylinder	Obsolete part
56	3853424	8	Grommet, pivot pin bushing	
57	3852573	4	Washer, pivot pin	
58	(3852579)	2	Retainer, oil line	Obsolete part
59	3852681	2	Retainer, cover	
60	3853423	8	Bushing, trim & tilt cylinder	
61	3853854	1	Hydraulic hose, starboard, down	
	3853856	1	Hydraulic hose, port, down	

7749307-44-10430

12575

Upd:2014-05-27

SX-C, SX-R

REF	PART NO.	QTY	DESCRIPTION	NOTES
62	3853855	1	Oil line, starboard, up	
	3853857	1	Oil line, port, up	
63	3852414	2	Cylinder	10 1/2 in. (268mm) full extension, from end cap to pivot pin
64	(3854247)	1	Sealing kit, cylinder	Obsolete part
65	3850887	1	Trimming limiter	Limits cylinders to 8 in. (203mm) full extension from end cap to pivot pin
66	3852193	2	Washer, wire to gimbal	
67	3853849	1	Chassis ground cable, 2-loop	
68	3852050	2	Screw, wire to gimbal	
69	3852958	4	Cardboard tube, pivot shaft, tilt cylinder	
70	3852581	2	Screw	
71	3853848	1	Chassis ground cable, 3-loop	
72	3854031	1	Wiring harness, trim/tilt	
73	(3852249)	1	Connector	Obsolete part
74	(3852527)	1	Terminal, ring	Obsolete part
75	3852251	1	Plug, connector	
76	(3852252)	2	Terminal, receptacle	Obsolete part
77	(3852036)	1	Terminal, ring	Obsolete part
78	3853421	2	Spring, ground	
79	3853825	2	Hydraulic hose, pump to manifold	
80	3852190	2	Washer, retainer	
81	3852165	12	O-ring, oil line	Contents of valve body seal kit
82	3854397	1	Sealing kit, valve body	