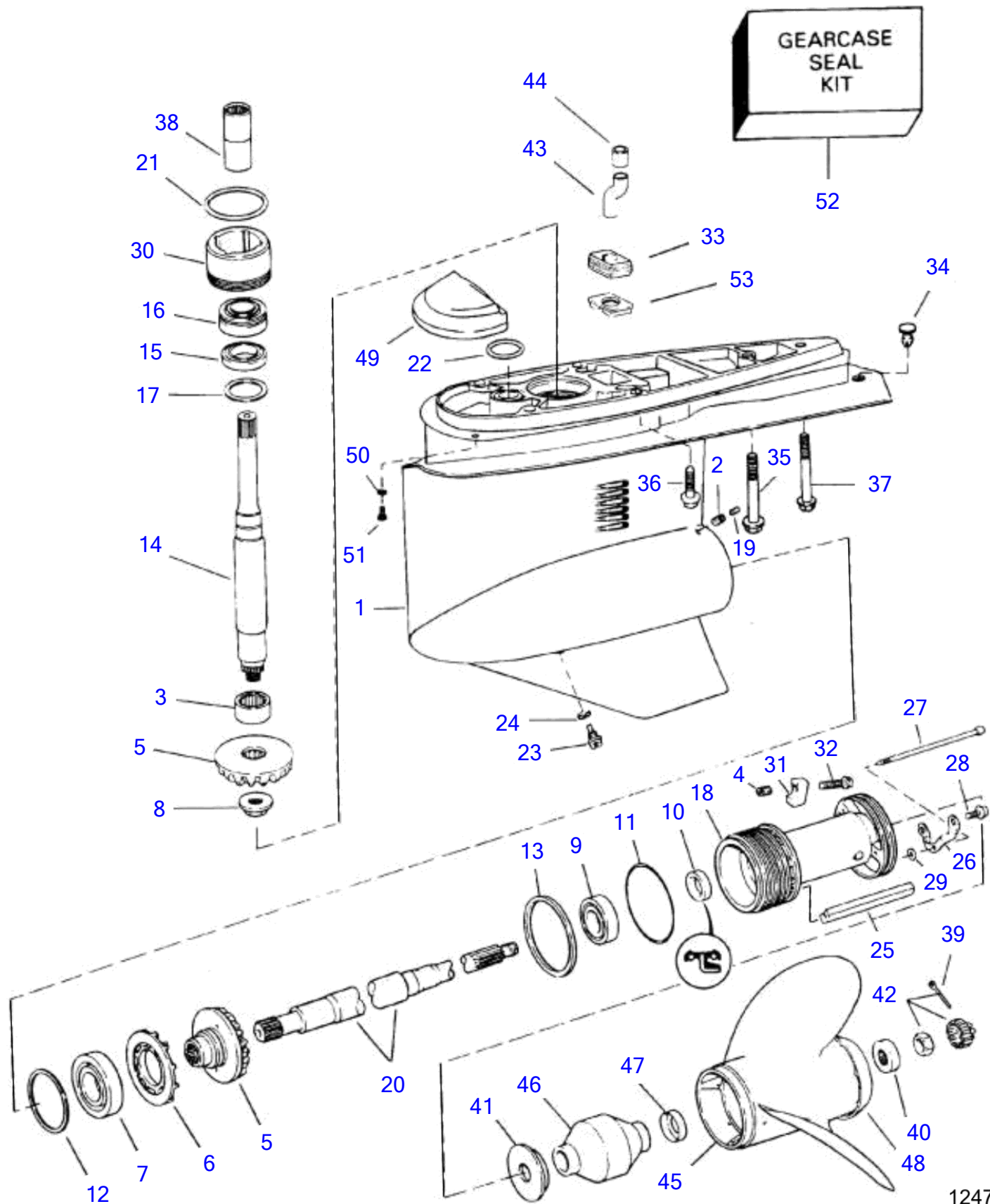


SX-C, SX-CT, SX-R



12476

SX-C, SX-CT, SX-R

REF	PART NO.	QTY	DESCRIPTION	SEE SEC.	NOTES
1	3855213	1	Gear housing		1.85:1
	3855214	1	Gear housing		1.66:1
	3855216	1	Gear housing		1.60:1
	3855215	1	Gear housing		1.51:1
	3855236	1	Gear housing		1.43:1
	3855084	1	• Drive unit		
2	3852567	1	• • Insert, 5/16-18, short		
3	3853934	1	• • Bearing, pinion		
4	3852515	1	• • Insert, prop shaft retainer		
5	3852405	1	• Drive gear set		1.85:1
	3852404	1	• Drive gear set		1.66:1
	3852403	1	• Drive gear set		1.60:1
	3852402	1	• Drive gear set		1.51:1
	3854814	1	• Gear set		1.43:1
6	(3853941)	1	• Rotor		Obsolete part
7	3850942	1	• Bearing, gear to gearcase		
8	3851003	1	• Nut, pinion to driveshaft		
9	3854249	1	• Roller bearing, prop shaft hsg		
10	3853474	1	• Seal, prop shaft hsg		Contents of lower gearcase seal kit
11	3852865	1	• O-ring, propeller shaft hsg		Contents of lower gearcase seal kit
12	3850695	1	• Shim, gear position, 0.002 in		
	3852886	1	• Shim, gear position, 0.003 in		
	3852885	1	• Shim, gear position, 0.004 in		
	3852887	1	• Shim, 0.005 in		
	3852888	1	• Shim, gear position, 0.010 in		
13	3852881	1	• Ring, shim, prop shaft hsg., 0.096 in		
	3852882	1	• Ring, shim, prop shaft hsg., 0.098 in		
	3852868	1	• Ring, shim, prop shaft hsg., 0.100 in		
	3852869	1	• Ring, shim, prop shaft hsg., 0.102 in		
	3852870	1	• Ring, shim, prop shaft hsg., 0.104 in		
	3852871	1	• Ring, shim, prop shaft hsg., 0.106 in		
	3852872	1	• Ring, shim, prop shaft hsg., 0.108 in		
	3852873	1	• Ring, shim, prop shaft hsg., 0.110 in		
	3852874	1	• Ring, shim, prop shaft hsg., 0.112 in		
	3852875	1	• Ring, shim, prop shaft hsg., 0.114 in		
	3852870	1	• Ring, shim, prop shaft hsg., 0.116 in		
	3852877	1	• Ring, shim, prop shaft hsg., 0.118 in		
	3852878	1	• Ring, shim, prop shaft hsg., 0.120 in		
	3852879	1	• Ring, shim, prop shaft hsg., 0.122 in		
	3852880	1	• Ring, shim, prop shaft hsg., 0.124 in		
14	3851342	1	• Countershaft, lower		
15	3854249	1	• Roller bearing, driveshaft, lower		
16	3854250	1	• Roller bearing, driveshaft, upper		
17	3852889	1	• Shim, pinion position, 0.003 in		
	3852890	1	• Shim, pinion position, 0.004 in		
	3852891	1	• Shim, pinion position, 0.005 in		
	3852892	1	• Shim, pinion position, 0.010 in		
18	3853492	1	• Housing, propeller shaft		
19	3853272	1	• Screw, prop shaft hsg		
20	3852271	1	• Propeller shaft		
21	3852866	1	• O-ring		Contents of lower gearcase seal kit
22	3852959	1	• O-ring, oil passage		
23	3854539	1	• Plug, gearcase plug		
24	3855081	1	• • O-ring, gearcase plug		
25	(3852970)	1	• Anode, prop shaft housing		Obsolete part
26	(3852971)	1	• Retainer, anode		Obsolete part
27	(3852972)	1	• Screw, anode		Obsolete part
28	(3853309)	2	• Screw, anode retainer		Obsolete part
29	(3852973)	1	• Washer, anode		Obsolete part
30	3855636	1	• Retainer, driveshaft		
31	3853371	1	• Retainer, prop shaft housing		
32	3852478	1	• Screw, prop shaft retainer		
33	3854601	1	• Retainer, seal		

SX-C, SX-CT, SX-R

REF	PART NO.	QTY	DESCRIPTION	SEE SEC.	NOTES
34	3850662	1	Plug, trim tab hole		
35	3854806	1	Screw, lower to upper housing		
36	3854807	4	Screw, lower to upper housing		
37	3854805	1	Screw, lower to upper housing		
38	3852268	1	Splined sleeve, intermediate		
39	3852056	1	Split pin, propeller		
40	3852350	1	Spacer, propeller nut		
41	3852020	1	Bushing		
42	3850984	1	Propeller nut, propeller		
43	3854795	1	Tube, water supply		
44	3852315	1	Sealing, water supply tube		Contents of lower gearcase seal kit
45	(3850315)	1	Propeller, 15 x 15		Obsolete part, Left hand, Stainless steel
		1	Propeller, 15 x 17		Left hand, Stainless steel
			• Bulletin 56-11	56-11-EN	Replacement of SX Propellers
45	3850317	1	Propeller, 14½ x 19		Left hand, Stainless steel
			• Bulletin 56-11	56-11-EN	Replacement of SX Propellers
45	3850318	1	Propeller, 14¼ x 21		Left hand, Stainless steel
			• Bulletin 56-11	56-11-EN	Replacement of SX Propellers
45		1	Propeller, 14¼ x 23		Left hand, Stainless steel
			• Bulletin 56-11	56-11-EN	Replacement of SX Propellers
45		1	Propeller, 15 x 17		Left hand, Stainless steel
			• Bulletin 56-11	56-11-EN	Replacement of SX Propellers
45	3850321	1	Propeller, 14½ x 19		Left hand, Stainless steel, Polished
			• Bulletin 56-11	56-11-EN	Replacement of SX Propellers
45	3850322	1	Propeller, 14¼ x 21		Left hand, Stainless steel, Polished
			• Bulletin 56-11	56-11-EN	Replacement of SX Propellers
45	3850323	1	Propeller, 14¼ x 23		Left hand, Stainless steel, Polished
			• Bulletin 56-11	56-11-EN	Replacement of SX Propellers
45	(3850304)	1	Propeller, 15½ x 14		Obsolete part, Right hand, Stainless steel
		1	Propeller, 15 x 15		Right hand, Stainless steel
	(3850306)	1	Propeller, 15 x 16		Obsolete part, Right hand, Stainless steel
	3850307	1	Propeller, 15 x 17		Right hand, Stainless steel
			• Bulletin 56-11	56-11-EN	Replacement of SX Propellers
45	3850308	1	Propeller, 14½ x 19		Right hand, Stainless steel
			• Bulletin 56-11	56-11-EN	Replacement of SX Propellers
45	3850309	1	Propeller, 14¼ x 21		Right hand, Stainless steel
			• Bulletin 56-11	56-11-EN	Replacement of SX Propellers
45	3850310	1	Propeller, 14¼ x 23		Right hand, Stainless steel
			• Bulletin 56-11	56-11-EN	Replacement of SX Propellers
45	3850298	1	Propeller, 15½ x 13		Right hand, Aluminum
	3850299	1	Propeller, 15½ x 15		Right hand, Aluminum
	3850300	1	Propeller, 15 x 172		Right hand, Aluminum
	3850301	1	Propeller, 14½ x 19		Right hand, Aluminum
	3850302	1	Propeller, 14¼ x 21		Right hand, Aluminum
	3850303	1	Propeller, 14 ¼ x 23		Right hand, Aluminum
	3850311	1	Propeller, 15 x 17		Right hand, Stainless steel, Polished
			• Bulletin 56-11	56-11-EN	Replacement of SX Propellers
45	3850312	1	Propeller, 14½ x 19		Right hand, Stainless steel, Polished
			• Bulletin 56-11	56-11-EN	Replacement of SX Propellers
45	3850313	1	Propeller, 14¼ x 21		Right hand, Stainless steel, Polished
			• Bulletin 56-11	56-11-EN	Replacement of SX Propellers
45	3850314	1	Propeller, 14¼ x 23		Right hand, Stainless steel, Polished
			• Bulletin 56-11	56-11-EN	Replacement of SX Propellers
46	3850324	1	• Bushing, propeller		Aluminum
	3850325	1	• Bushing, propeller		Stainless steel
47	3850831	1	• Sleeve, bushing		
48	(3854241)	1	• Ring, converging		Obsolete part, Aluminum
49	3855411	1	Zinc anode		
			• Bulletin P-44-1-1	P-44-1-1-EN	Anodes, SX AND DP-S
49	3855412	1	Magnesium anode		
50	3852182	2	Washer, anode		
51	3852186	2	Hexagon screw, anode		
52	3855275	1	Kit		

SX-C, SX-CT, SX-R

REF	PART NO.	QTY	DESCRIPTION	SEE SEC.	NOTES
53	3854595	1	Sealing, tube to gearcase		