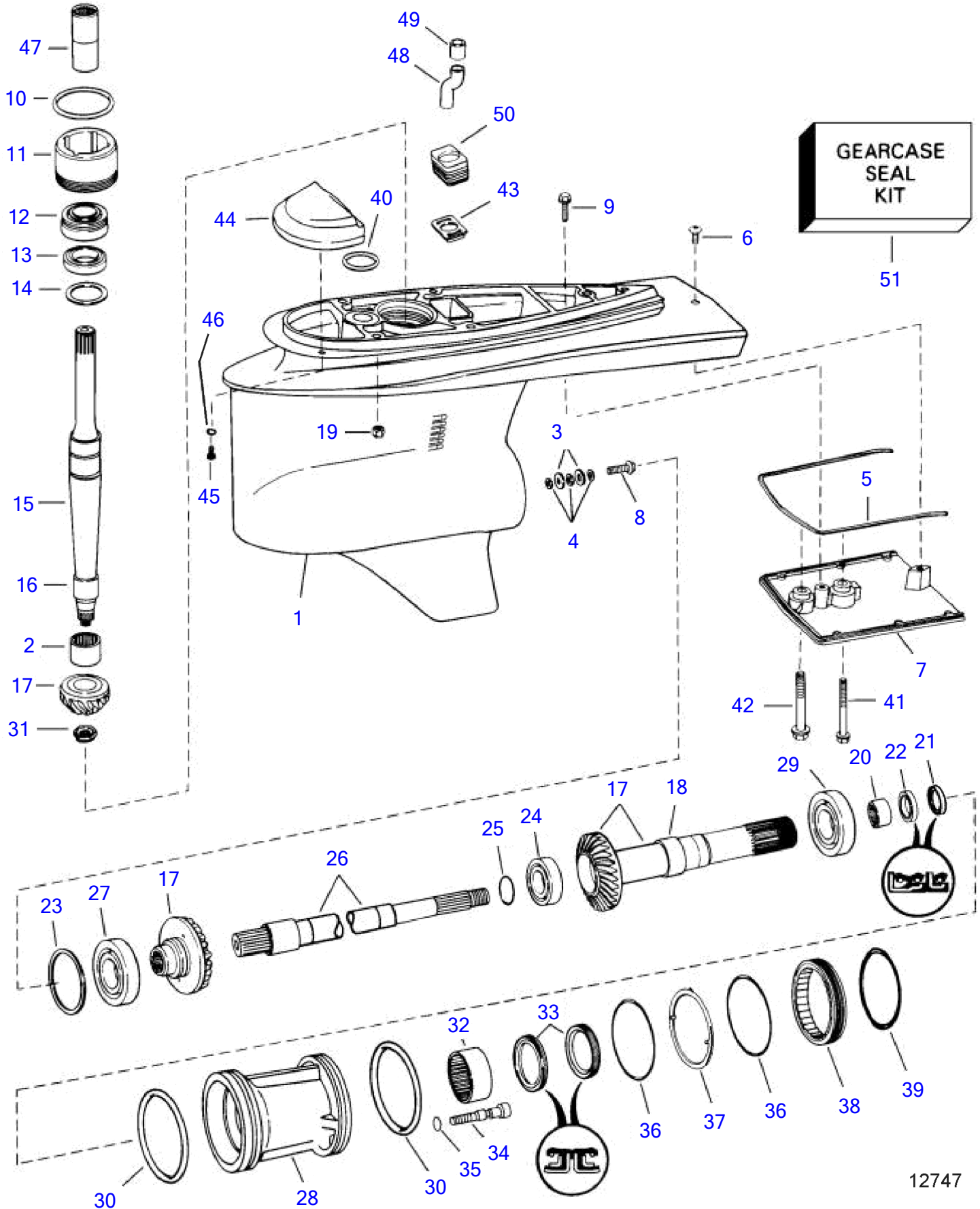


DP-S1



12747

DP-S1

REF	PART NO.	QTY	DESCRIPTION	SEE SEC.	NOTES
1	3855906	1	Lower gear		1.68:1
	3801182	1	Lower gear, exch, exch		1.68:1
	3855907	1	Lower gear		1.78:1
	3801183	1	Lower gear, exch, exch		1.78:1
	3855908	1	Lower gear		1.95:1, 2.32:1
	3855514	1	• Housing		
2	184654	1	• • Needle roller bushin, lower vertical drive shaft		
3	854096	2	• • Magnet, lower gearcase		
4	955893	3	• • Washer, magnet, lower gearcase		
5	3854898	1	• • Sealing, lower gearcase		Part of gearcase kit
6	3855004	1	• • 6 point socket screw, exhaust cover to gearcase		
7	3855544	1	• • Cover, gearcase housing		
8	3855578	1	• • Screw, magnet, lower gearcase		
9	3855819	1	• • Flange screw, exhaust cover to gearcase		Front
10	3852866	1	• O-ring, gearcase to uppe, gear hsg		Part of gearcase seal kit
11	3855636	1	• Retainer, bearing, lower vertical driveshaft		
12	3854250	2	• Roller bearing, upper & lower driveshaft		
13	3854249	2	• Roller bearing, upper & lower driveshaft		
14	3852889	1	• Shim, pinion position, 0.003 in. (0.08 mm)		As required
	3852890	1	• Shim, pinion position, 0.004 in. (0.10 mm)		As required
	3852891	1	• Shim, pinion position, 0.005 in. (0.13 mm)		As required
	3852892	1	• Shim, pinion position, 0.010 in. (0.25 mm)		As required
15	3855492	1	• Countershaft, vertical		
16	184682	1	• • Inner ring		
17	3851299	1	• Gear, 1.68:1(18:29)		
	3851304	1	• Gear, 1.78:1(17:29)		
	3851309	1	• Gear, 1.95:1, 2.32:1(16:30)		
	3851314	1	• Gear, 2.30:1 (14:31)		
18	184683	1	• Inner ring, brg, outer propshaft to brg hsg		
19	941885	4	• Lock nut, stud, gearcase to gear hsg		
20	183272	1	• Needle roller bearin, outer propshaft		
21	853871	1	• Sealing ring		Part of gearcase seal kit
	853807	1	• • Sealing ring		
22	853808	1	• • Sealing ring, inner to outer propshaft, forward		Part of gearcase seal kit
23	967352	1	• Shim, 0.05 mm		As required
	941823	1	• Shim, 0.10 mm		As required
	967351	1	• Shim, 0.15 mm		As required
	941824	1	• Shim, 0.20 mm		As required
	941825	1	• Shim, 0.40 mm		As required
24	184691	1	• Roller bearing, inner propshaft to gear		
25	191834	1	• Shim, 0.10 mm		As required
	191835	1	• Shim, 0.15 mm		As required
	191837	1	• Shim, 0.25 mm		As required
26	3851205	1	• Propeller shaft, lower, inner		
27	11044	1	• Roller bearing, inner prop shaft gear		
28	3851234	1	• Bearing housing		
29	184765	1	• Roller bearing, outer prop shaft to bearing hsg		
30	3854625	2	• O-ring, prop shaft brg hsg to gearcase		Part of gearcase seal kit
31	852212	1	• Nut, pinion to vertical drive shaft		
32	183859	1	• Needle roller bushin, outer propshaft		
33	851407	2	• Sealing ring, outer propshaft to brg hsg		Part of gearcase seal kit
34	3851329	1	• Screw, retaining ring to propshaft brg hsg		
35	955981	1	• O-ring, .screw, retainer, propshaft brg hsg		Part of gearcase seal kit
36	946438	2	• O-ring, retainer to propshaft brg hsg		Part of gearcase seal kit
37	3851246	1	• Retainer, propshaft brg hsg to gearcase		
38	3851327	1	• Thrust ring, propshaft brg hsg retainer to g'case		
39	3854624	1	• O-ring, propshaft brg hsg		Part of gearcase seal kit
40	3852959	1	• O-ring, gearcase to upper gear hsg, oil sump		Part of gearcase seal kit
41	3852349	1	• Screw, gearcase to upper gear hsg		
42	3852960	1	• Screw, gear housing		
43	3854601	1	• Retainer, seal, water tube		
44	3855411	1	• Zinc anode		
			• Bulletin P-44-1-1	P-44-1-1-EN	Anodes, SX AND DP-S

7749307-44-11284

12747

Upd:2014-05-27

DP-S1

REF	PART NO.	QTY	DESCRIPTION	SEE SEC.	NOTES
44	3855412	1	• Magnesium anode		
45	3852186	2	• Hexagon screw, anode to gearcase		
46	3852182	1	• Washer, anode		
47	3852268	1	Splined sleeve		
48	3854795	1	Tube, water supply		
49	3852315	1	Sealing		Part of gearcase seal kit
50	3854595	1	Sealing, water supply tube to gearcase		Part of gearcase seal kit
51	3856002	1	Sealing kit		